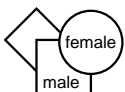
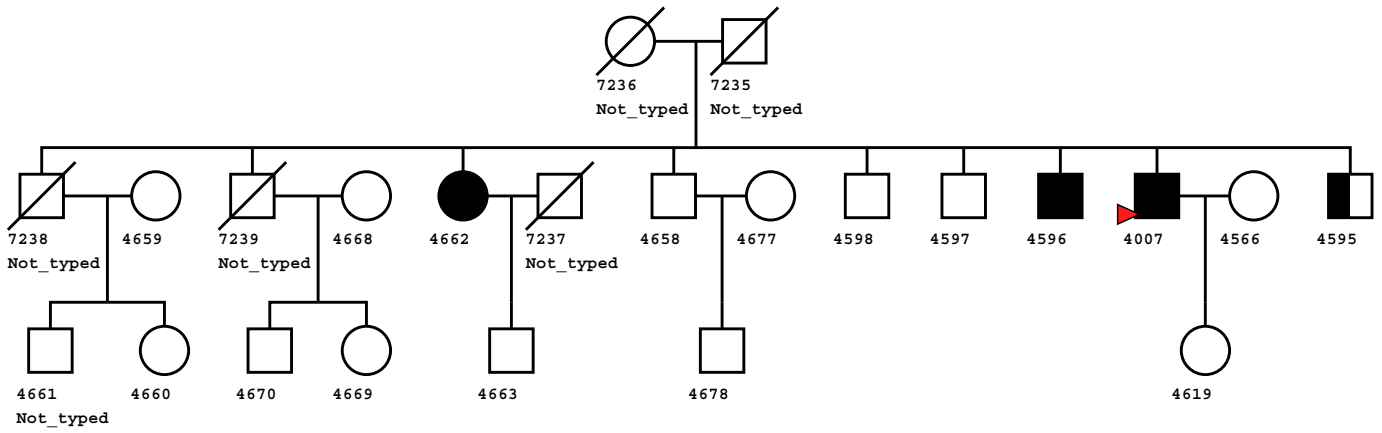


# CraneFoot 3.2.1

Version date Dec 6 2006

Created Jun 05 2012  
Pedigree name FCHL\_families\_Assoc2  
Pedigree file FCHL\_families\_Assoc2.ps  
Num of families 241 / 241  
Num of individuals 2395 / 2395

001	1	057	57	113	113	169	169	225	225
002	2	058	58	114	114	170	170	226	226
003	3	059	59	115	115	171	171	227	227
004	4	060	60	116	116	172	172	228	228
005	5	061	61	117	117	173	173	229	229
006	6	062	62	118	118	174	174	230	230
007	7	063	63	119	119	175	175	231	231
008	8	064	64	120	120	176	176	232	232
009	9	065	65	121	121	177	177	233	233
010	10	066	66	122	122	178	178	234	234
011	11	067	67	123	123	179	179	235	235
012	12	068	68	124	124	180	180	236	236
013	13	069	69	125	125	181	181	237	237
014	14	070	70	126	126	182	182	238	238
015	15	071	71	127	127	183	183	239	239
016	16	072	72	128	128	184	184	240	240
017	17	073	73	129	129	185	185	241	241
018	18	074	74	130	130	186	186		
019	19	075	75	131	131	187	187		
020	20	076	76	132	132	188	188		
021	21	077	77	133	133	189	189		
022	22	078	78	134	134	190	190		
023	23	079	79	135	135	191	191		
024	24	080	80	136	136	192	192		
025	25	081	81	137	137	193	193		
026	26	082	82	138	138	194	194		
027	27	083	83	139	139	195	195		
028	28	084	84	140	140	196	196		
029	29	085	85	141	141	197	197		
030	30	086	86	142	142	198	198		
031	31	087	87	143	143	199	199		
032	32	088	88	144	144	200	200		
033	33	089	89	145	145	201	201		
034	34	090	90	146	146	202	202		
035	35	091	91	147	147	203	203		
036	36	092	92	148	148	204	204		
037	37	093	93	149	149	205	205		
038	38	094	94	150	150	206	206		
039	39	095	95	151	151	207	207		
040	40	096	96	152	152	208	208		
041	41	097	97	153	153	209	209		
042	42	098	98	154	154	210	210		
043	43	099	99	155	155	211	211		
044	44	100	100	156	156	212	212		
045	45	101	101	157	157	213	213		
046	46	102	102	158	158	214	214		
047	47	103	103	159	159	215	215		
048	48	104	104	160	160	216	216		
049	49	105	105	161	161	217	217		
050	50	106	106	162	162	218	218		
051	51	107	107	163	163	219	219		
052	52	108	108	164	164	220	220		
053	53	109	109	165	165	221	221		
054	54	110	110	166	166	222	222		
055	55	111	111	167	167	223	223		
056	56	112	112	168	168	224	224		



PAT  
TYPED

DEAD

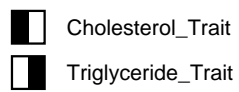
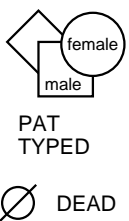
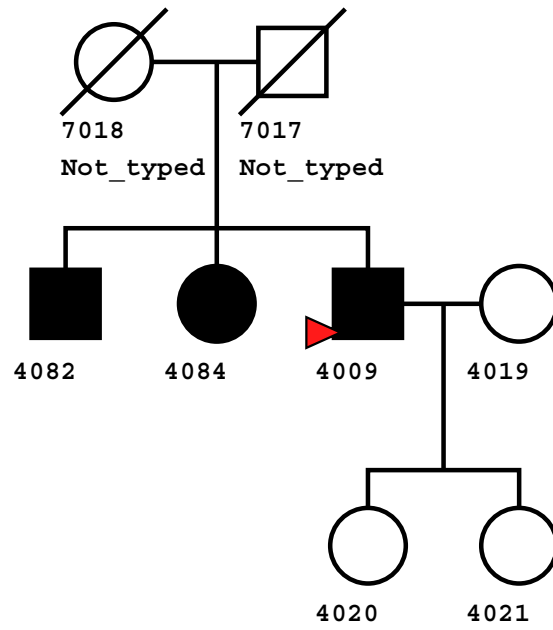
PROBAND

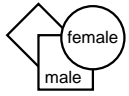
TRAIT

Both

Cholesterol\_Trait

Triglyceride\_Trait





PAT  
TYPED



DEAD



PROBAND



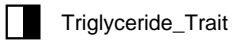
TRAIT



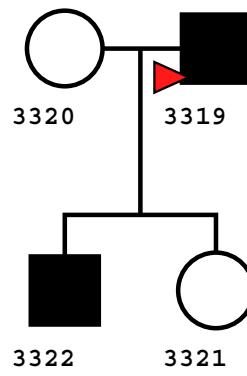
Both



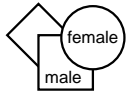
Cholesterol\_Trait



Triglyceride\_Trait



7 individuals



PAT  
TYPED

DEAD

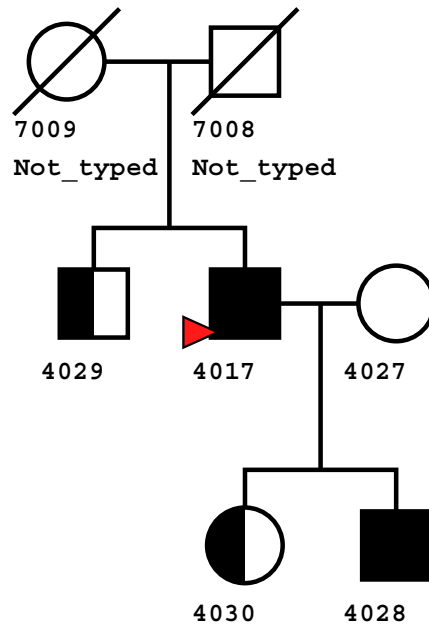
PROBAND

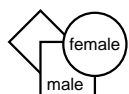
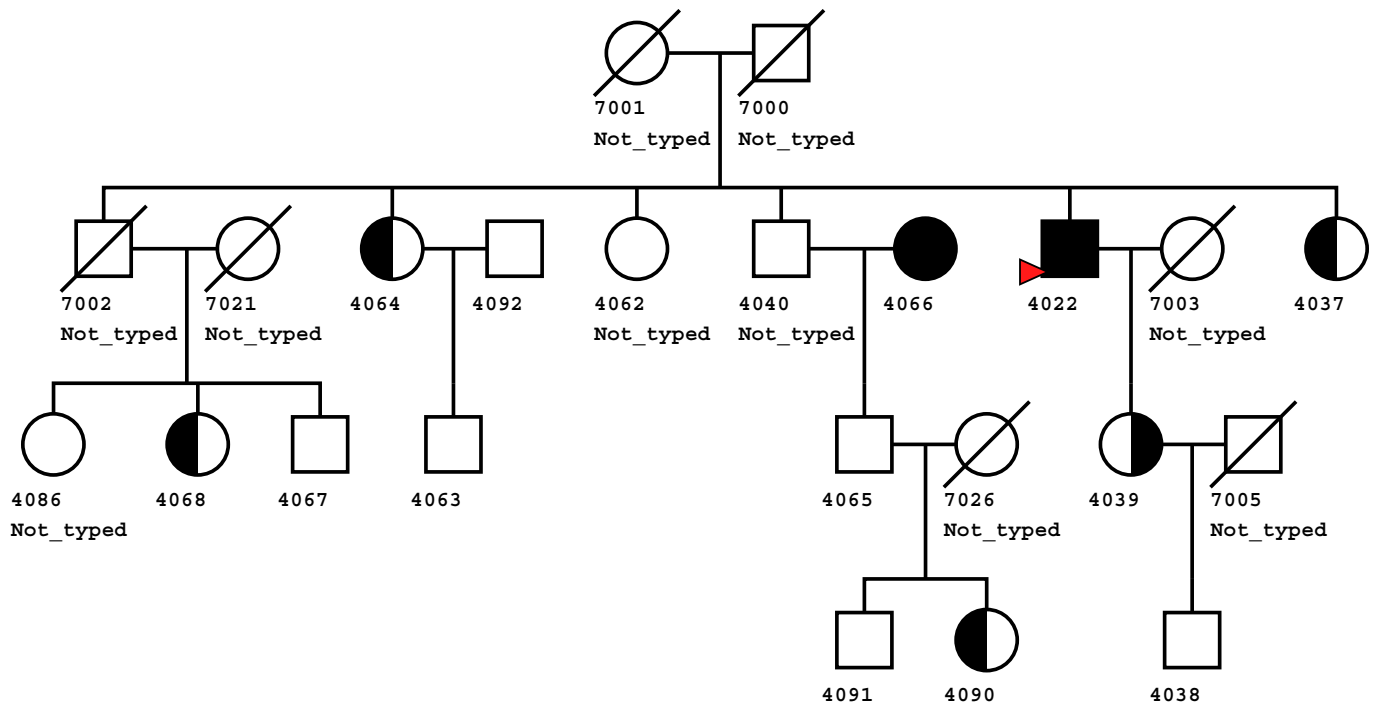
TRAIT

Both

Cholesterol\_Trait

Triglyceride\_Trait





PAT  
TYPED

DEAD

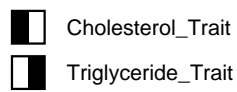
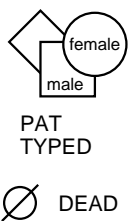
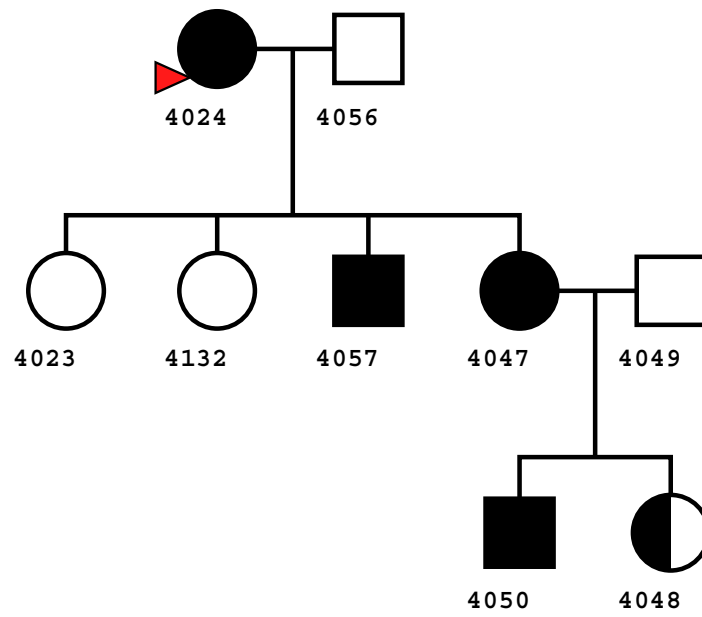
PROBAND

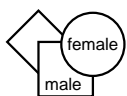
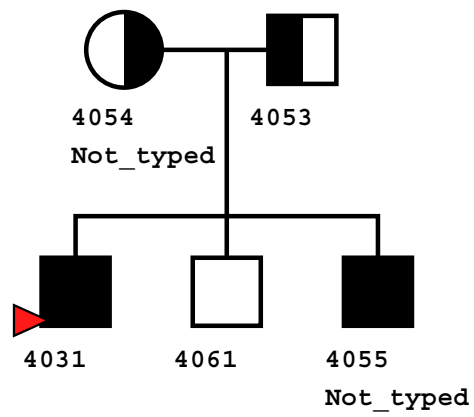
TRAIT

Both

Cholesterol\_Trait

Triglyceride\_Trait





PAT  
TYPED



PROBAND

TRAIT

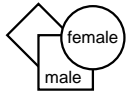
Both

Cholesterol\_Trait

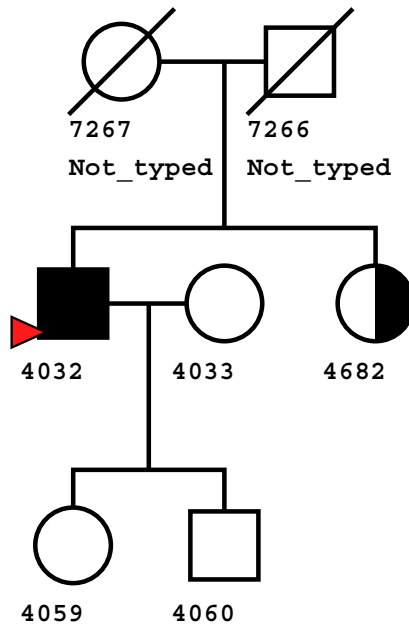
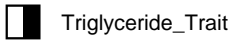
Triglyceride\_Trait

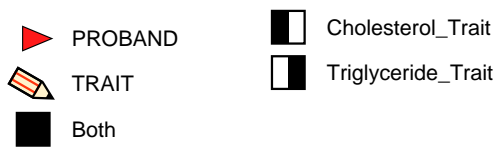
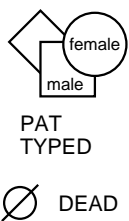
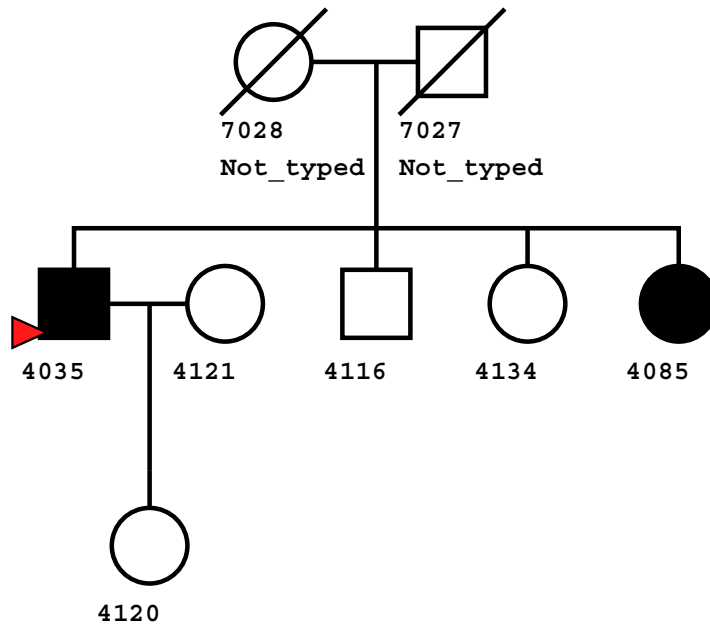


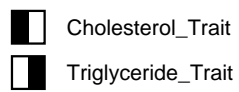
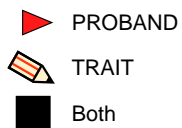
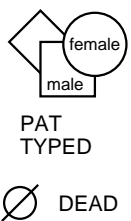
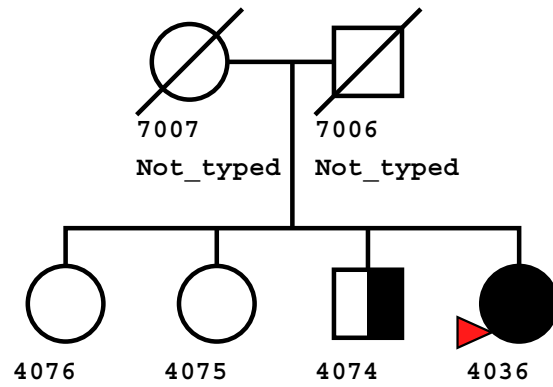
7 individuals

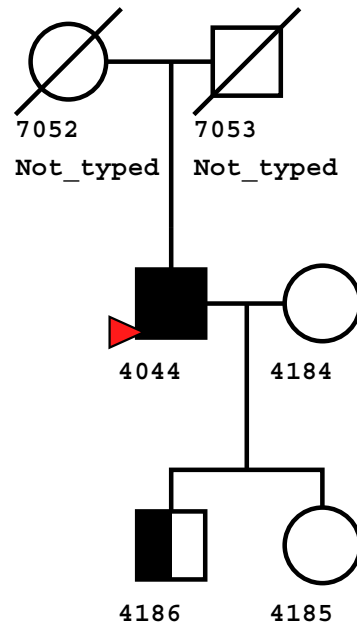
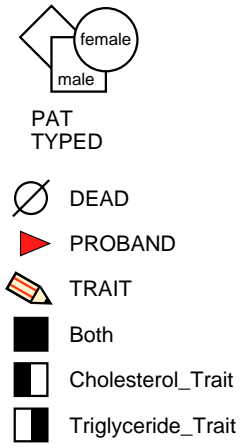


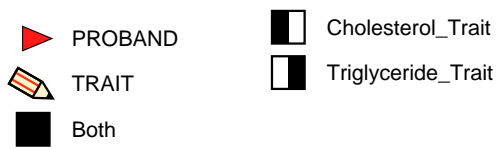
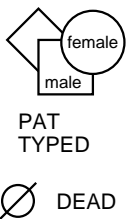
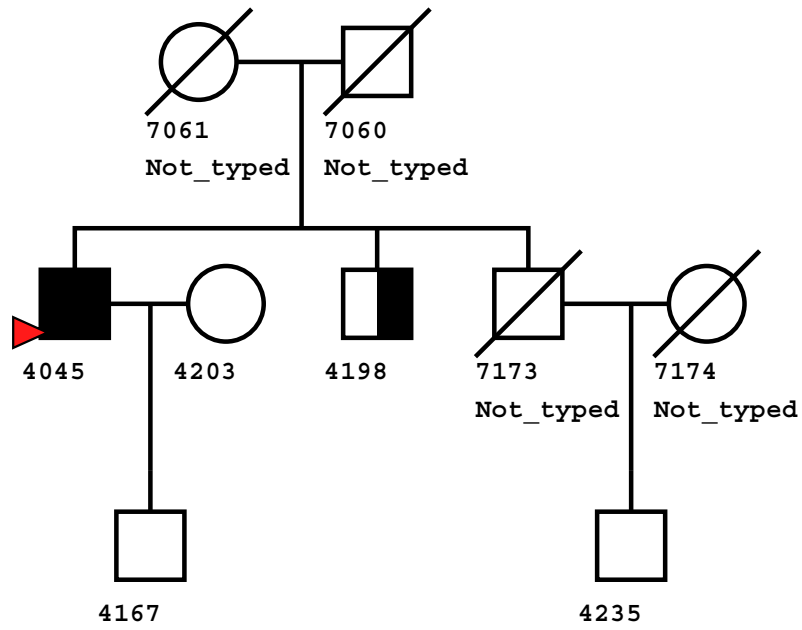
PAT  
TYPED

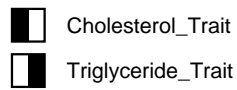
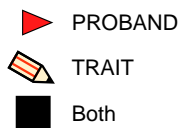
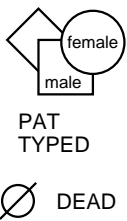
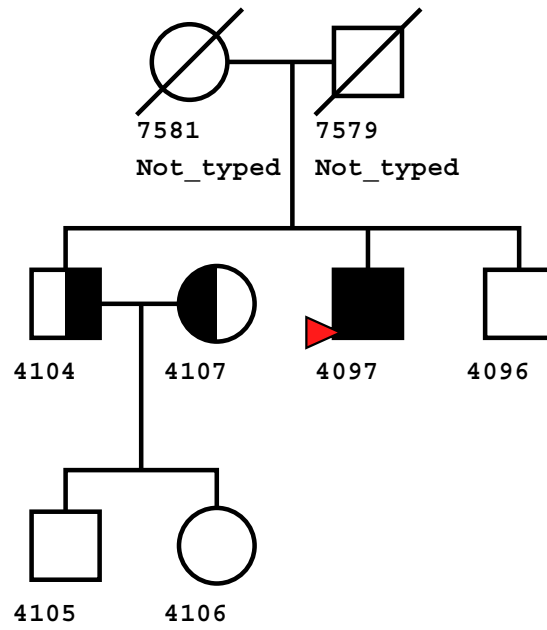




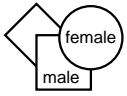








8 individuals



PAT  
TYPED

DEAD

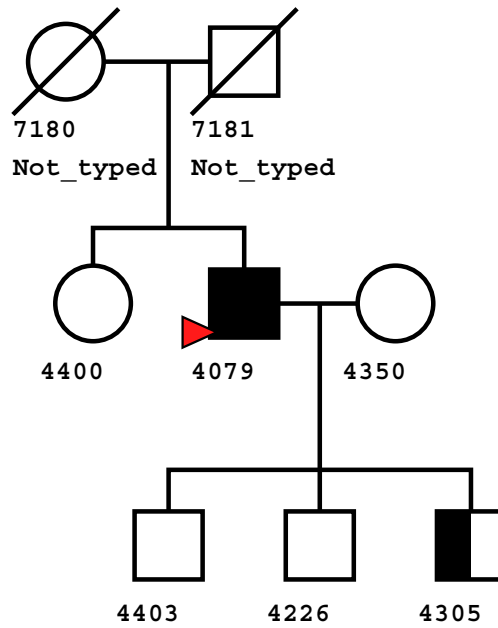
PROBAND

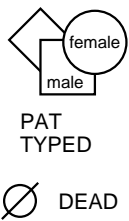
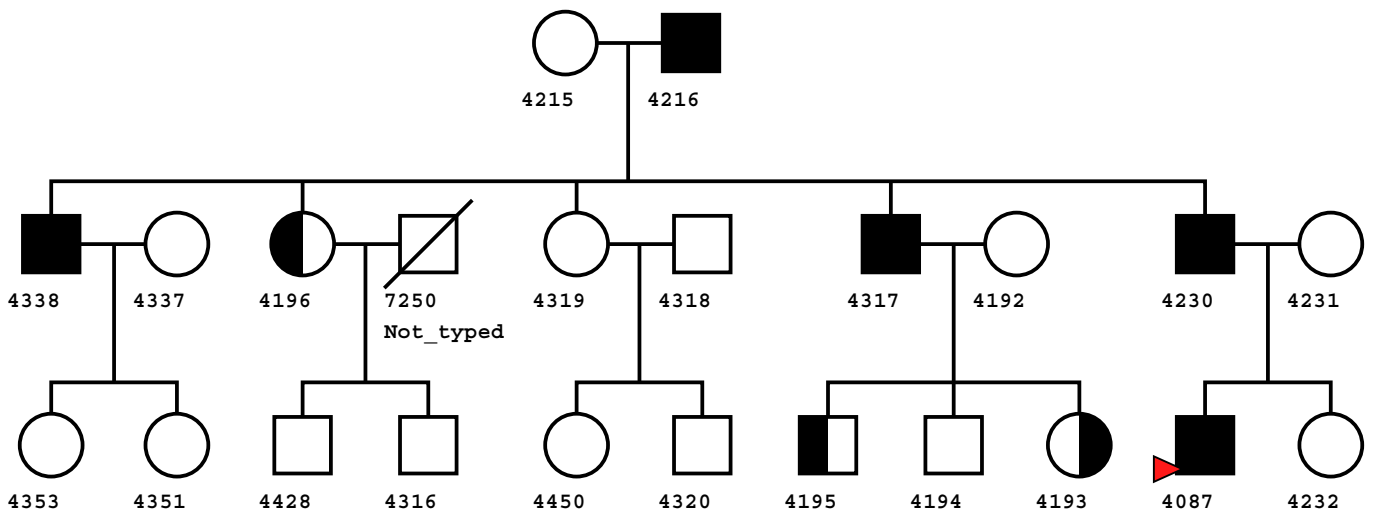
TRAIT

Both

Cholesterol\_Trait

Triglyceride\_Trait

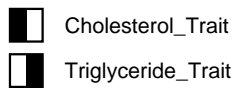
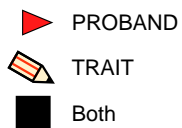
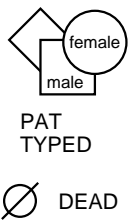
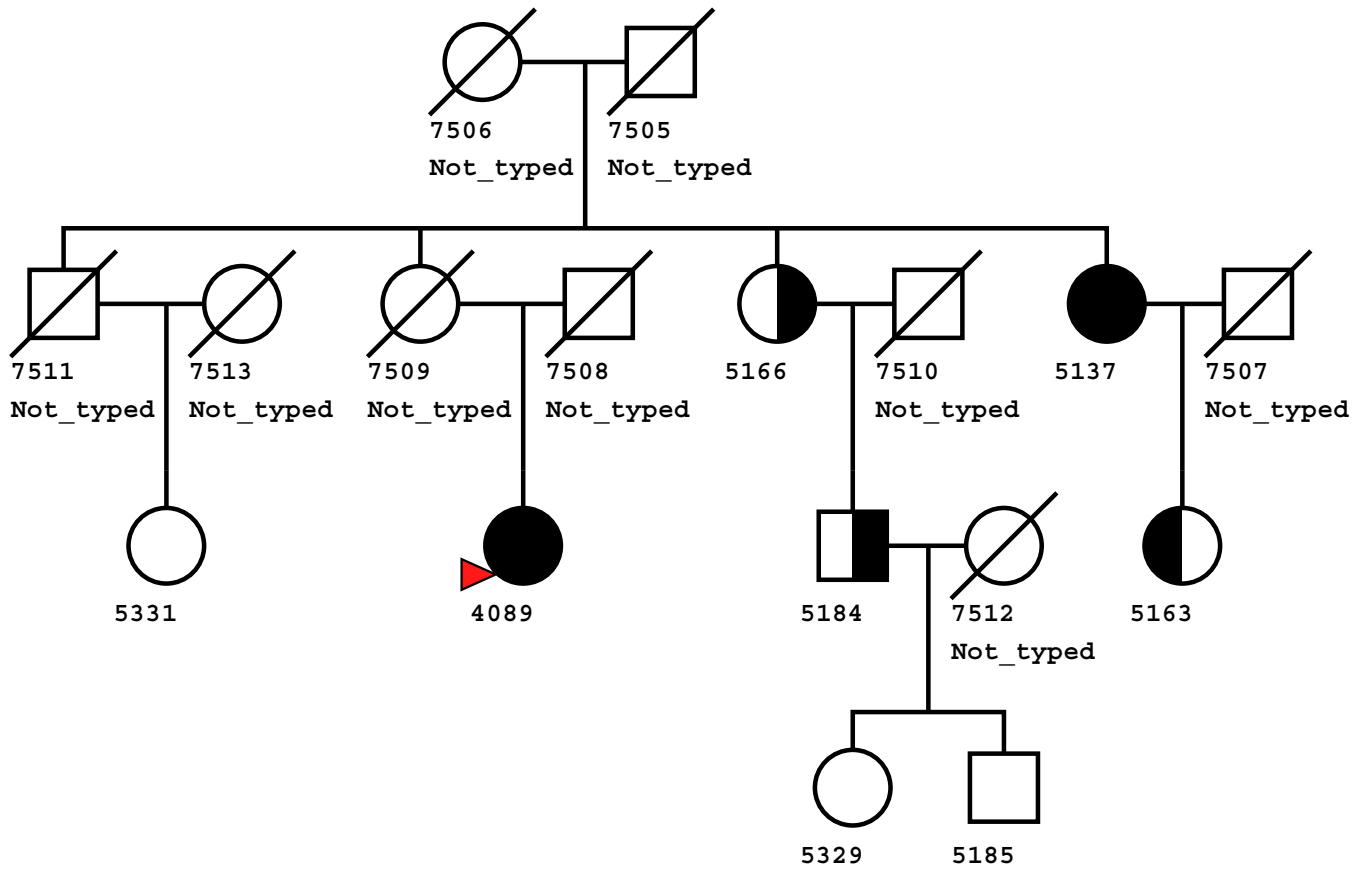


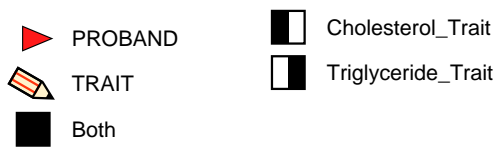
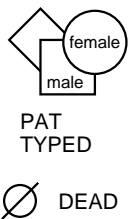
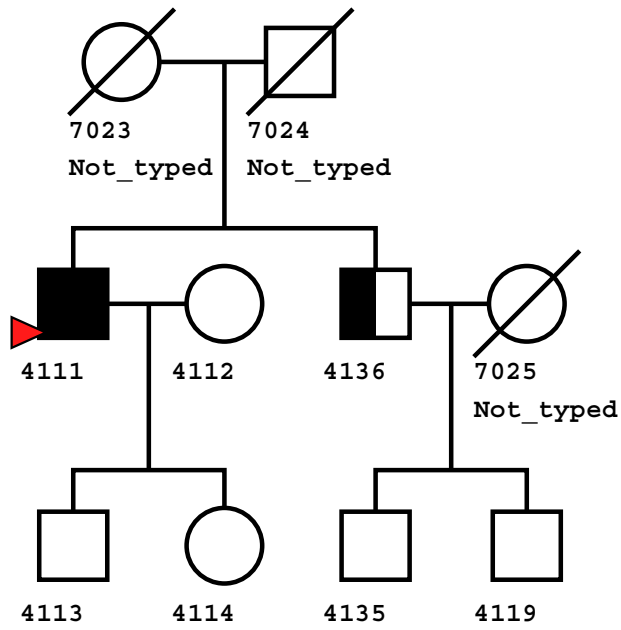


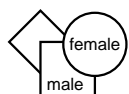
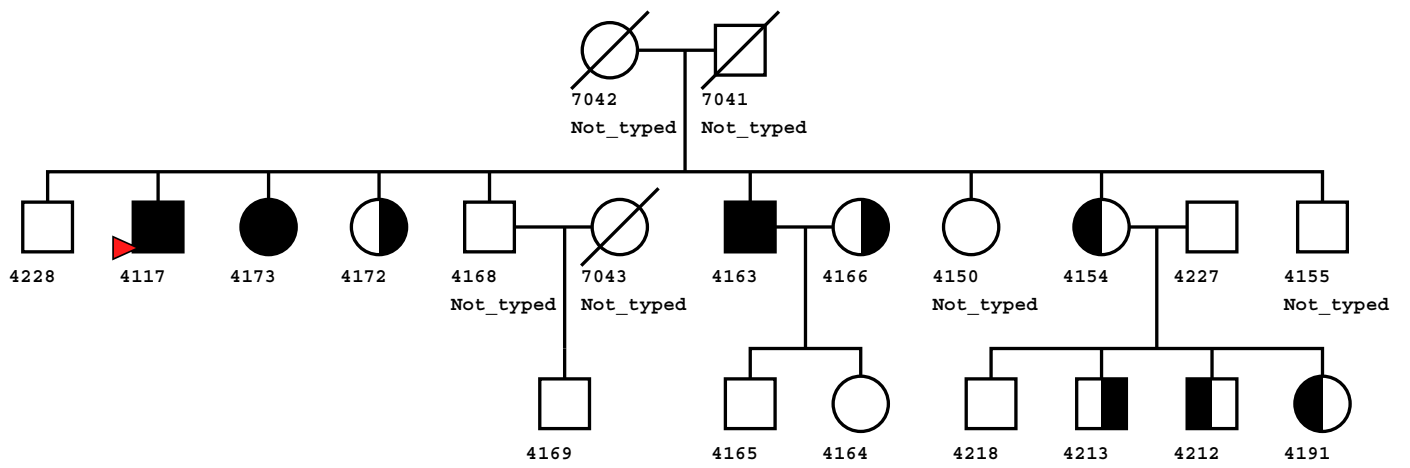
- PROBAND
- TRAIT
- Both

- Cholesterol\_Trait
- Triglyceride\_Trait









PAT  
TYPED

DEAD

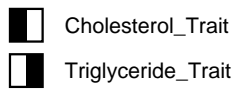
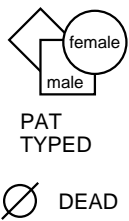
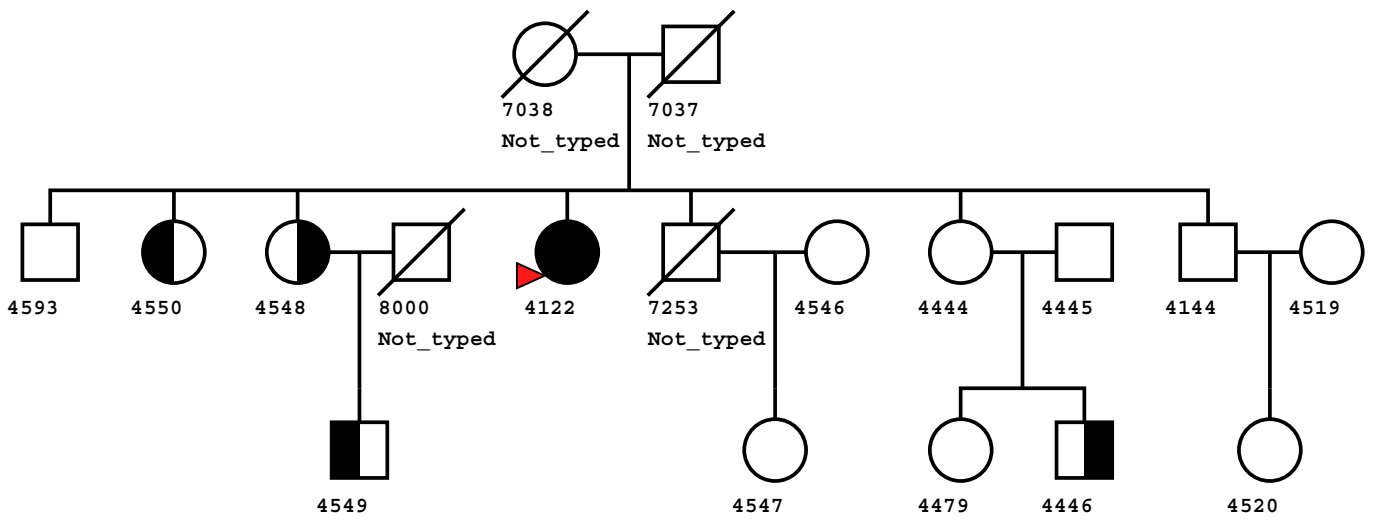
PROBAND

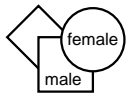
TRAIT

Both

Cholesterol\_Trait

Triglyceride\_Trait





PAT  
TYPED



DEAD



PROBAND



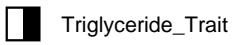
TRAIT



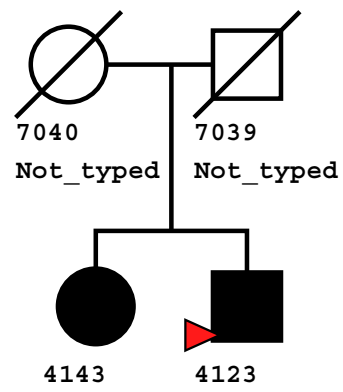
Both

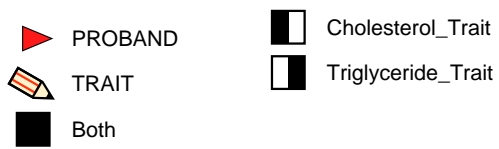
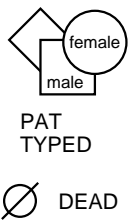
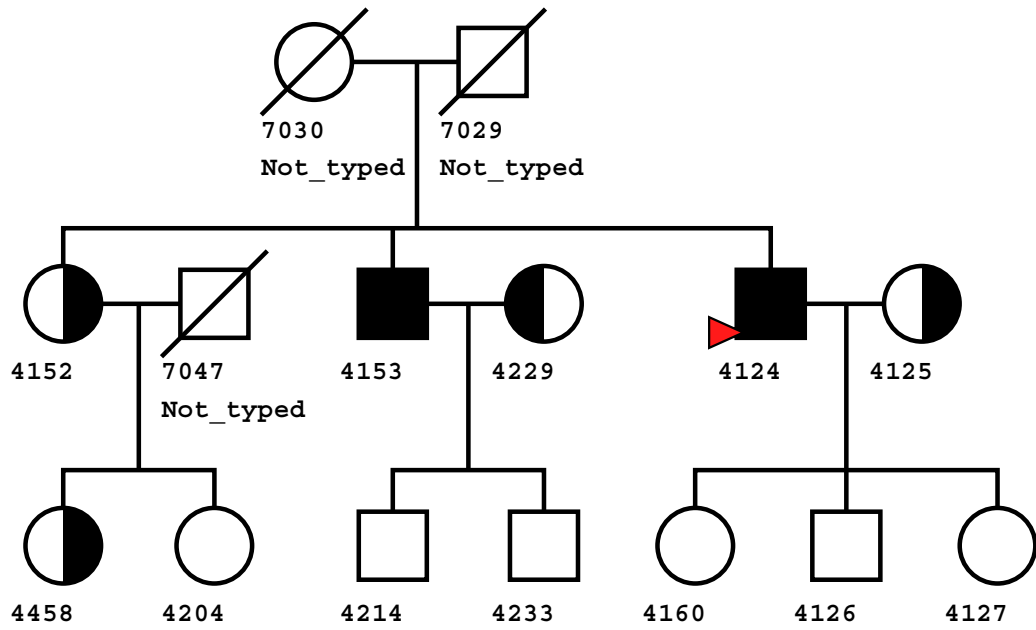


Cholesterol\_Trait

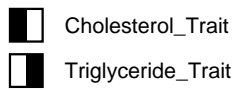
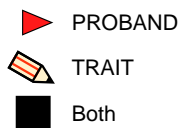
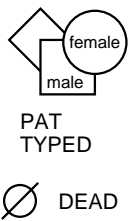
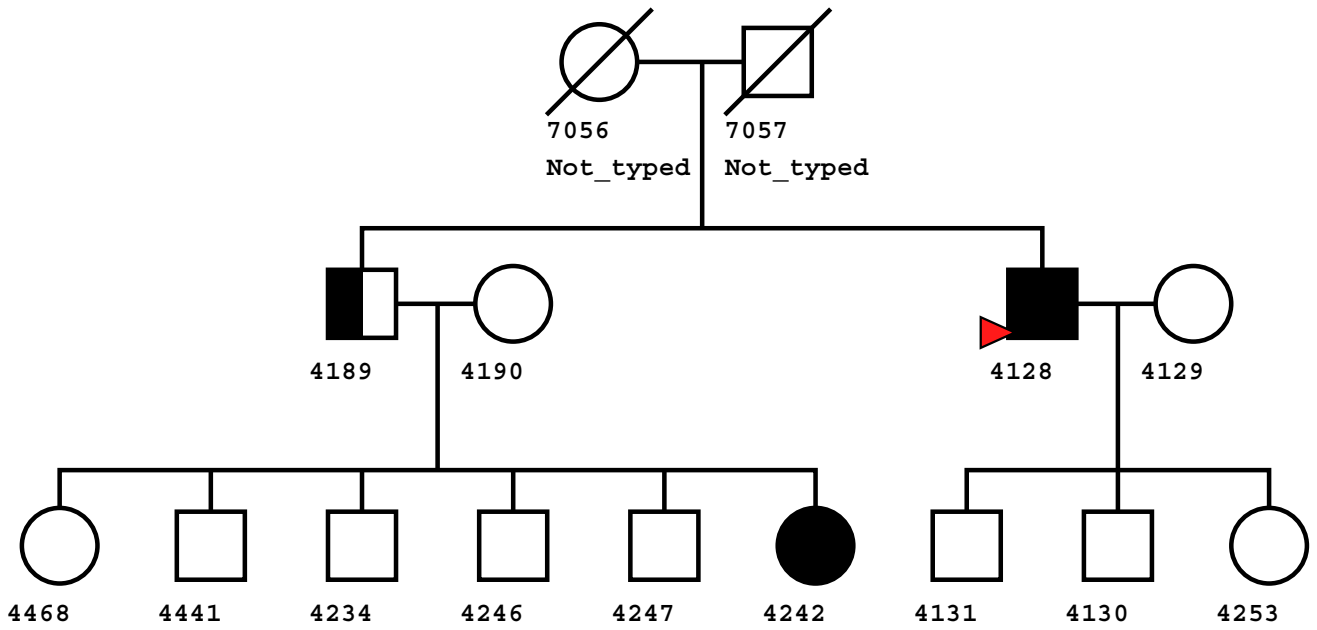


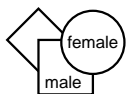
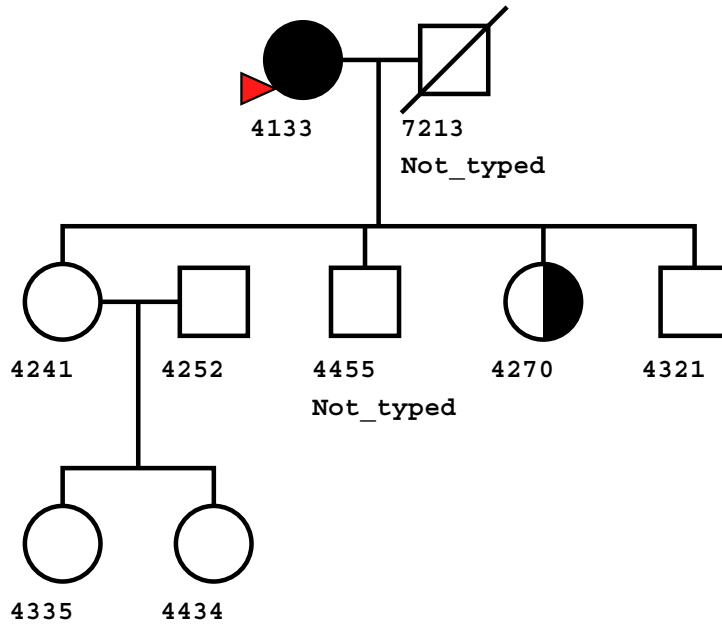
Triglyceride\_Trait





15 individuals





PAT  
TYPED

DEAD

PROBAND

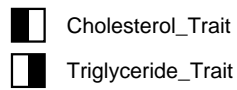
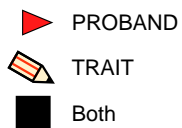
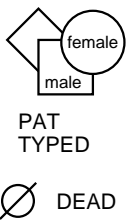
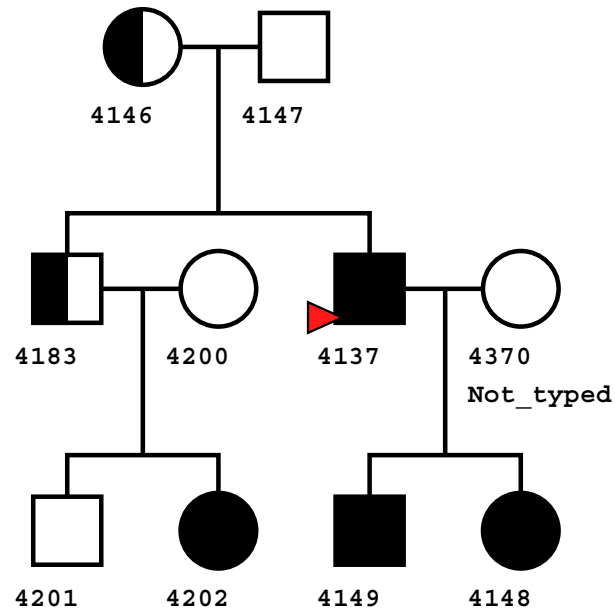
TRAIT

Both

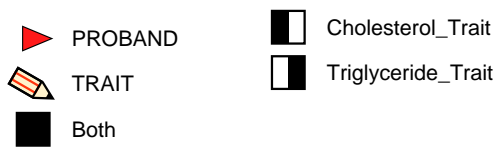
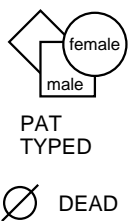
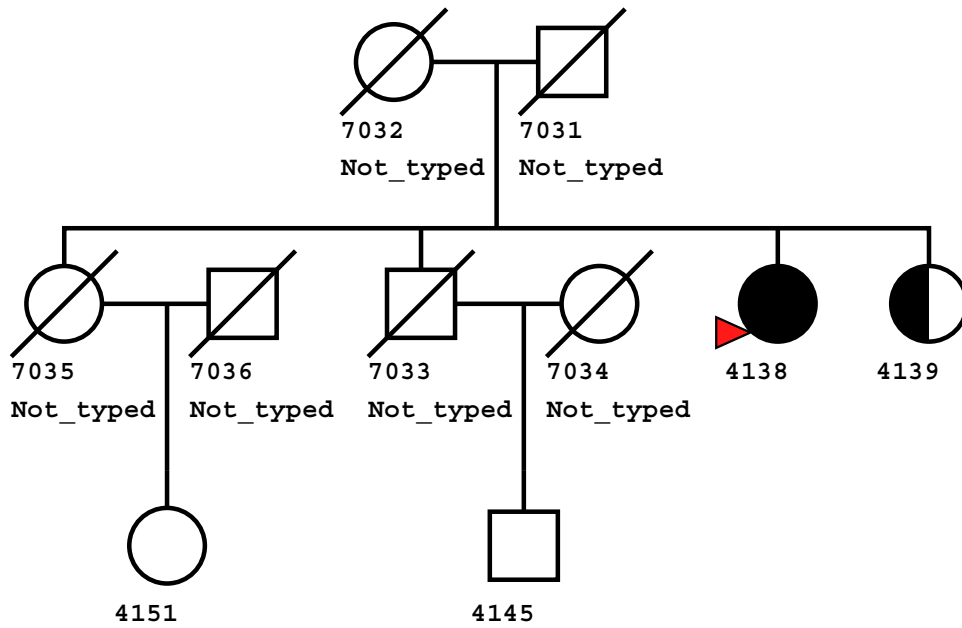
Cholesterol\_Trait

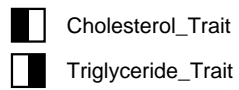
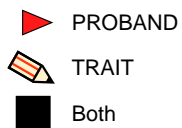
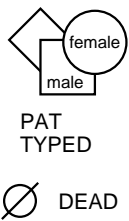
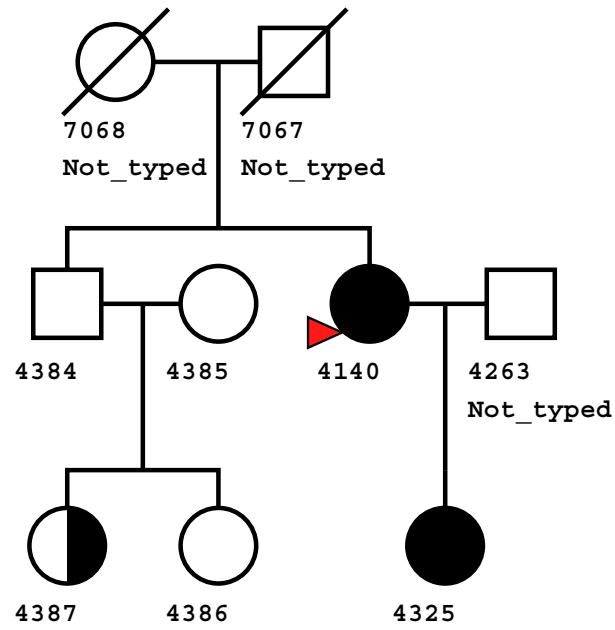
Triglyceride\_Trait

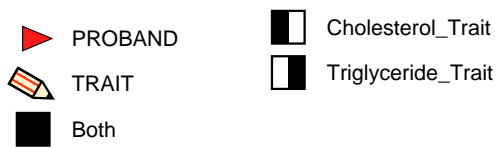
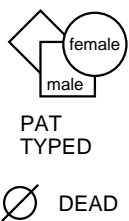
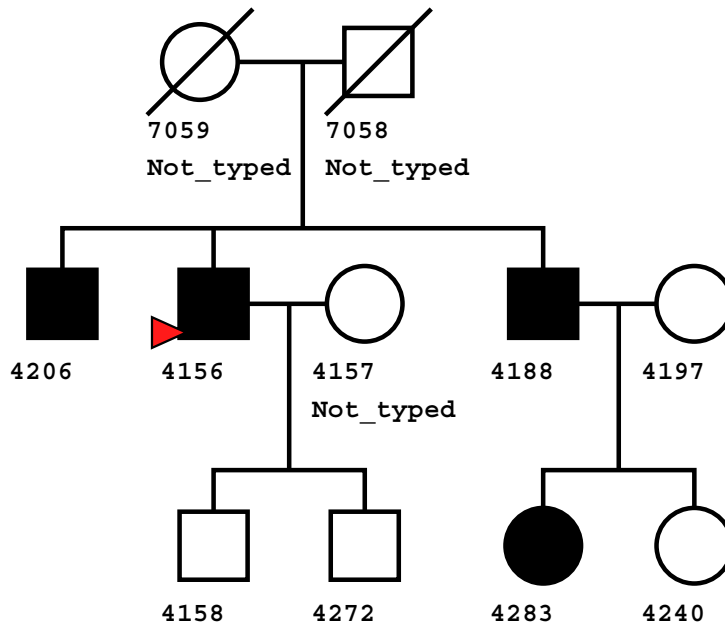


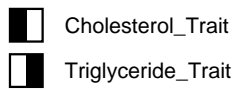
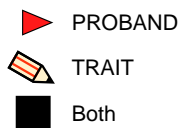
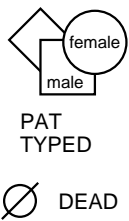
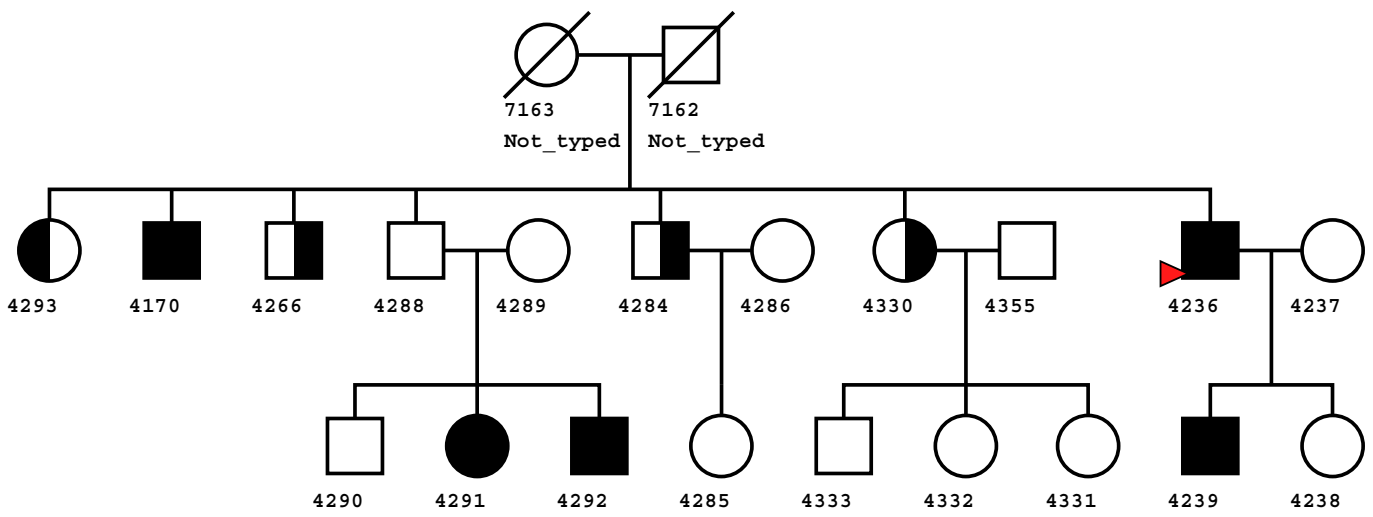


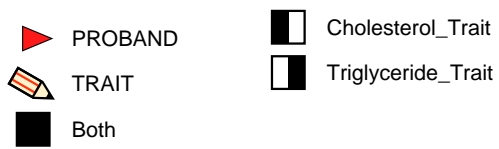
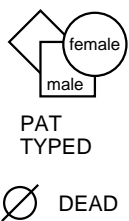
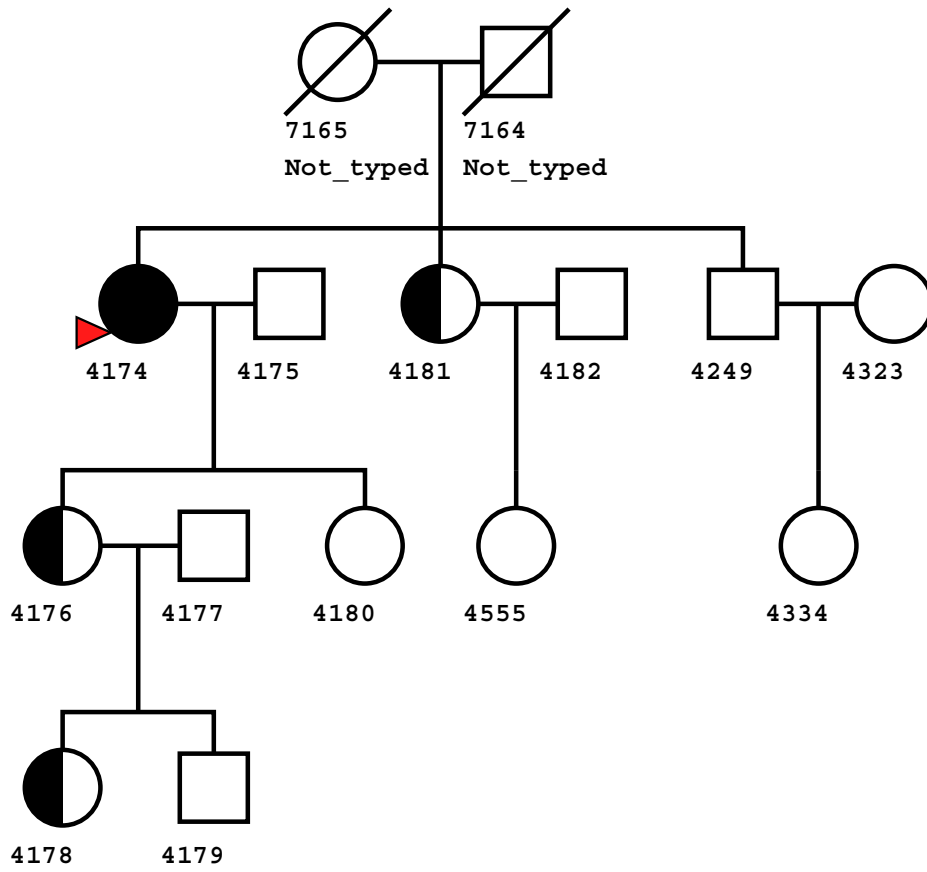
10 individuals



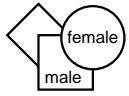








7 individuals



PAT  
TYPED

DEAD

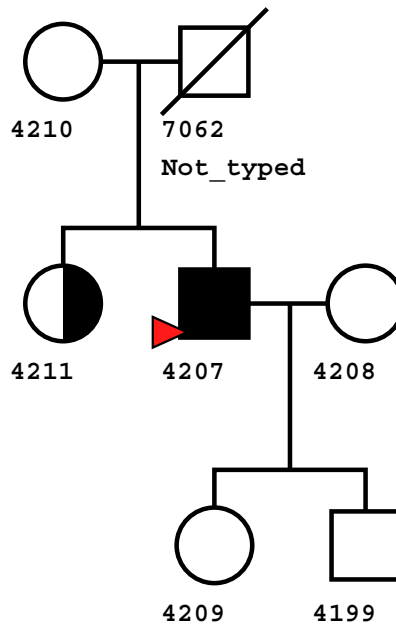
PROBAND

TRAIT

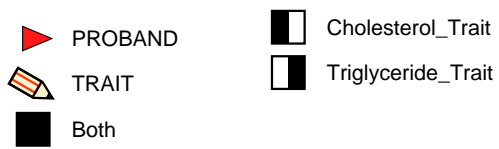
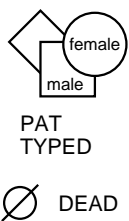
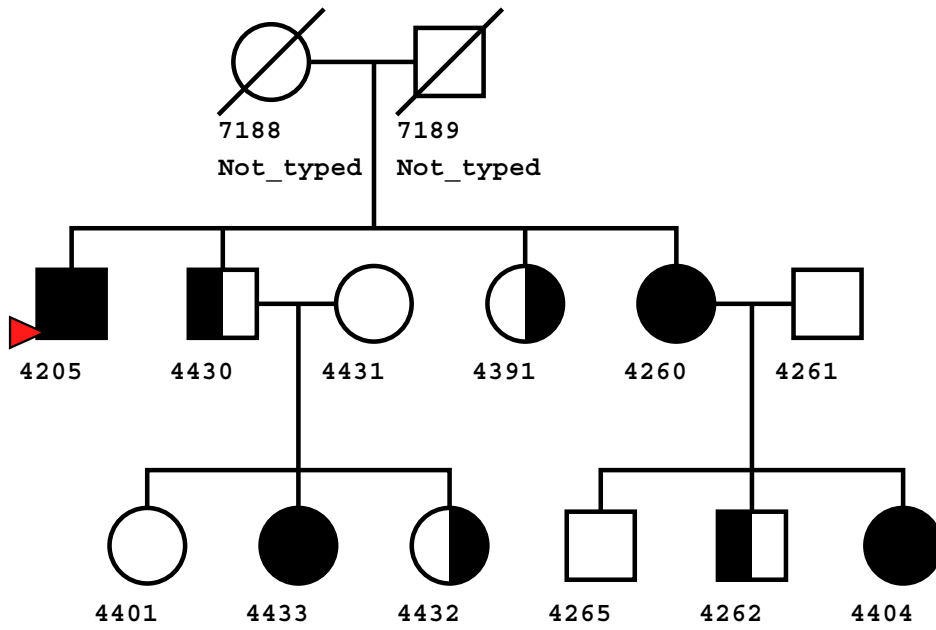
Both

Cholesterol\_Trait

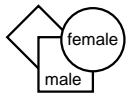
Triglyceride\_Trait



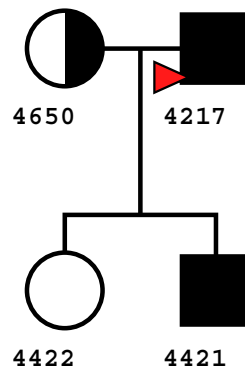
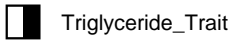
14 individuals

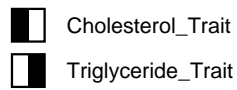
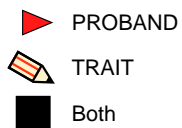
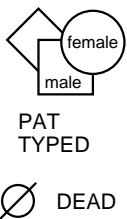
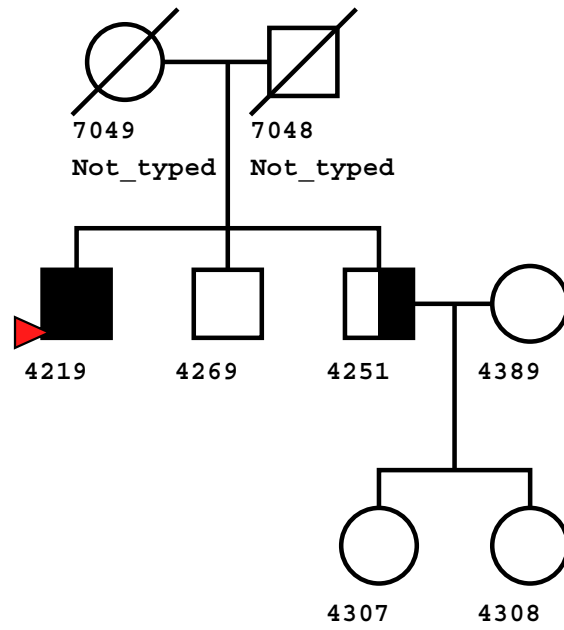




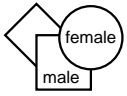


PAT  
TYPED

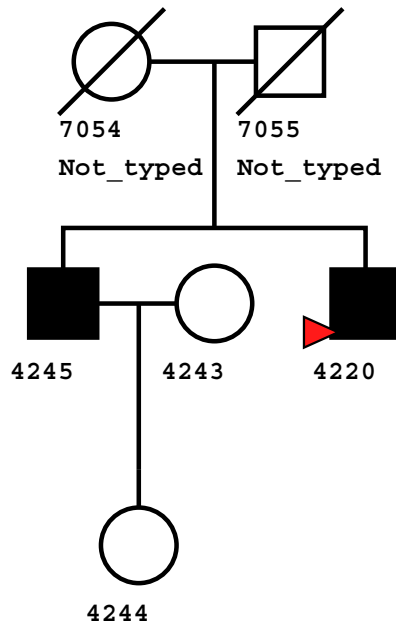
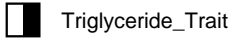




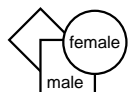
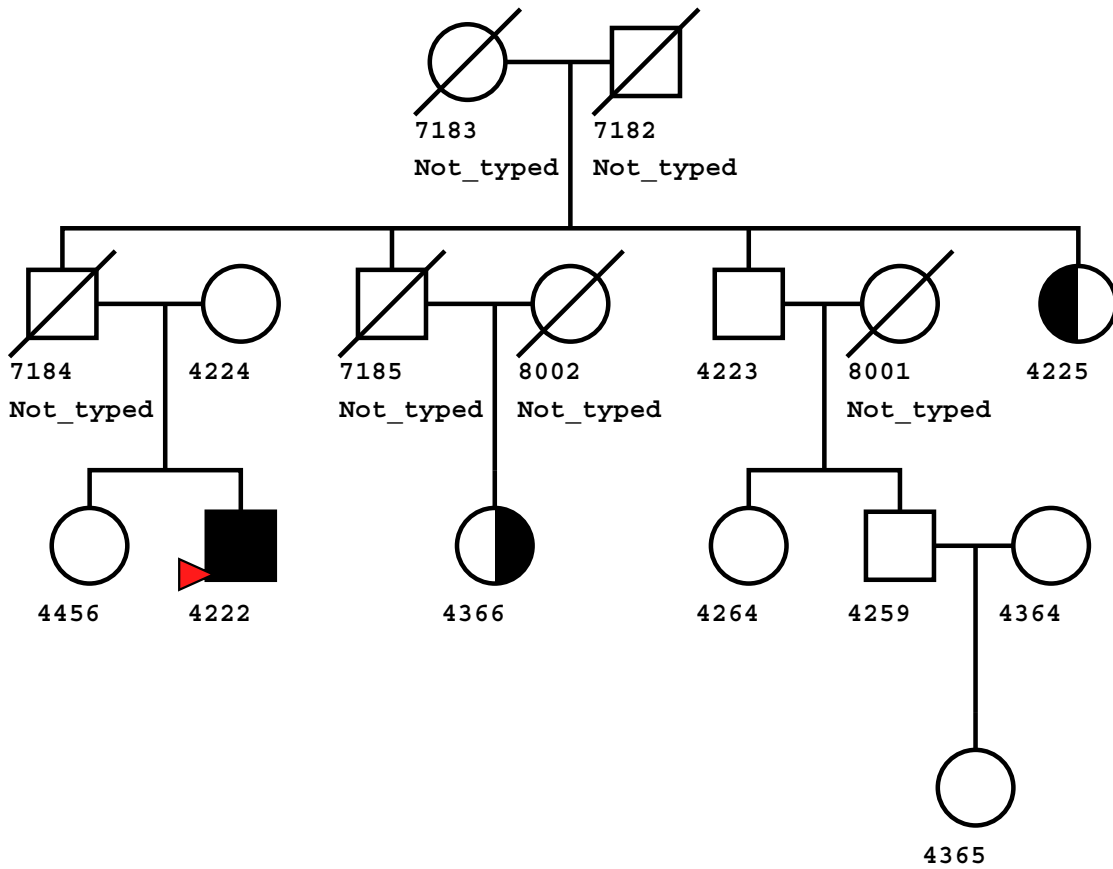
6 individuals



PAT  
TYPED



16 individuals



PAT TYPED



DEAD



PROBAND



TRAIT



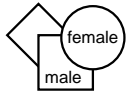
Both



Cholesterol\_Trait



Triglyceride\_Trait



PAT  
TYPED



DEAD



PROBAND



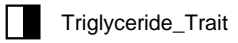
TRAIT



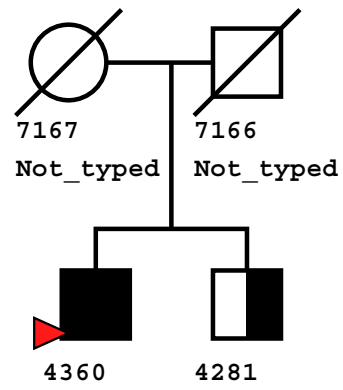
Both

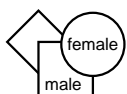
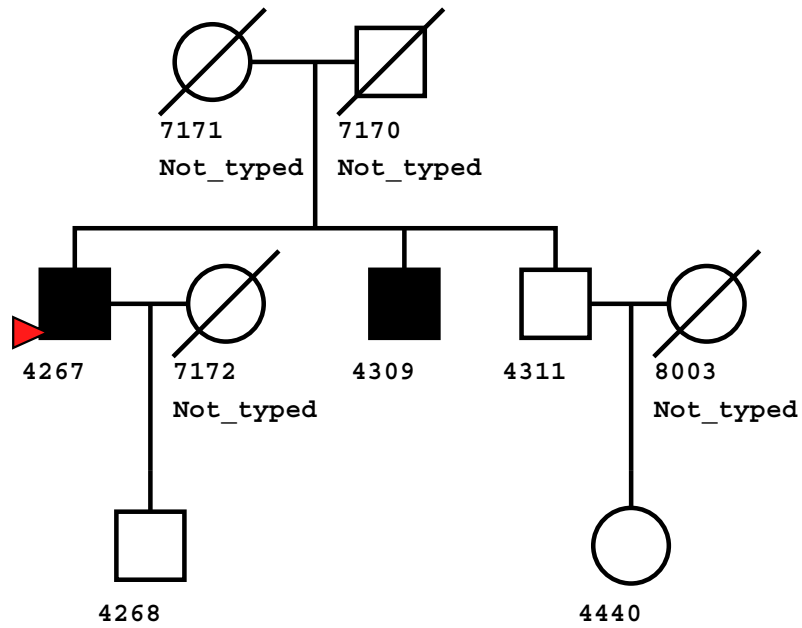


Cholesterol\_Trait



Triglyceride\_Trait





PAT  
TYPED

DEAD

PROBAND

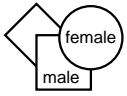
TRAIT

Both

Cholesterol\_Trait

Triglyceride\_Trait

8 individuals



PAT  
TYPED

DEAD

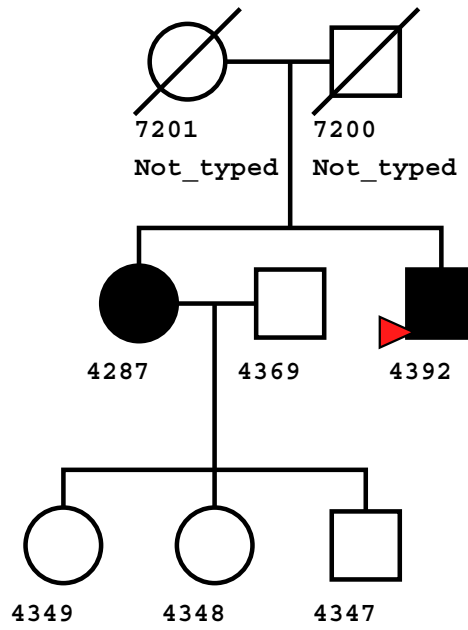
PROBAND

TRAIT

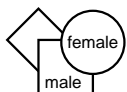
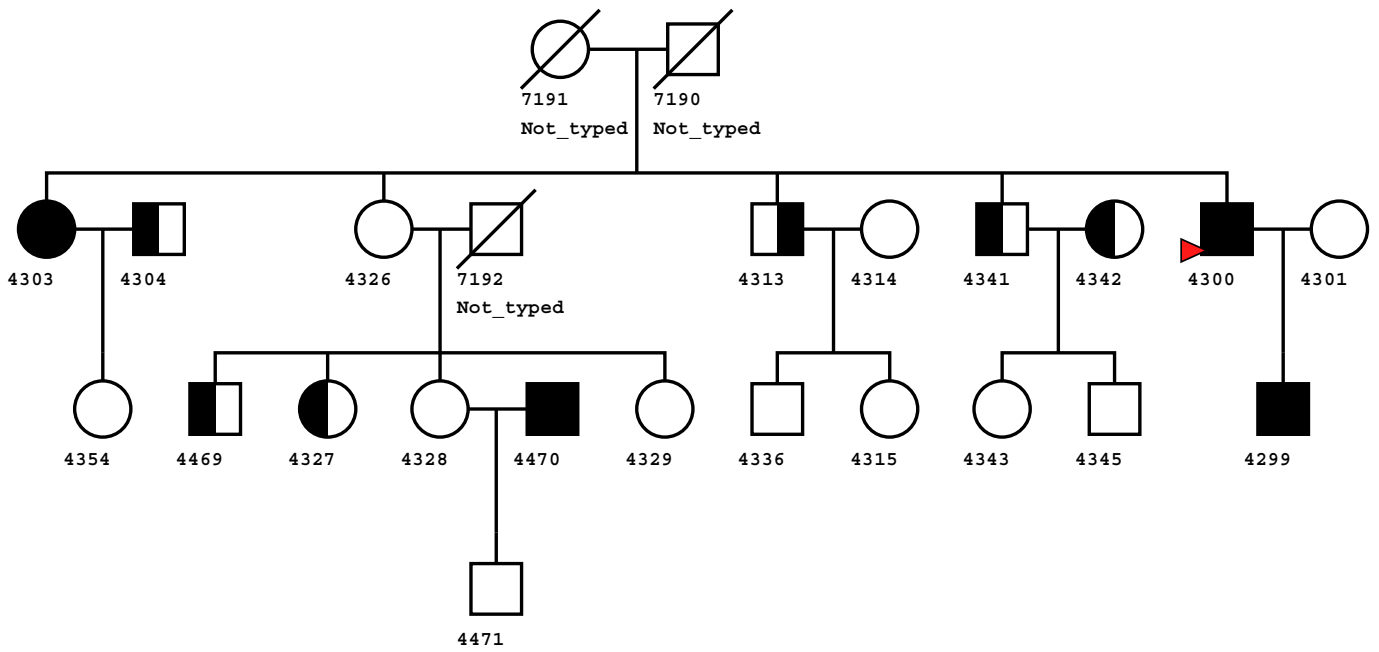
Both

Cholesterol\_Trait

Triglyceride\_Trait



24 individuals



PAT  
TYPED

DEAD

PROBAND

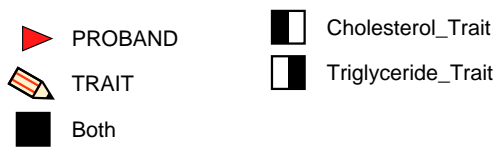
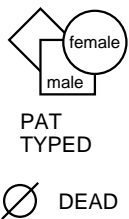
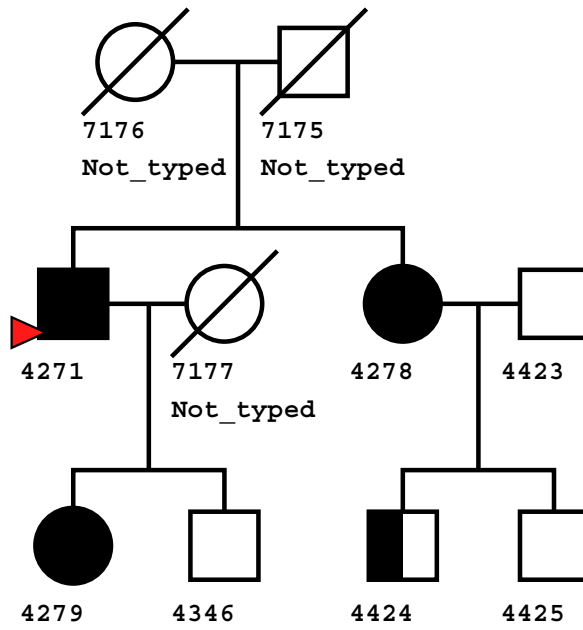
TRAIT

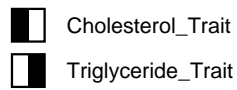
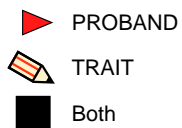
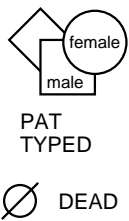
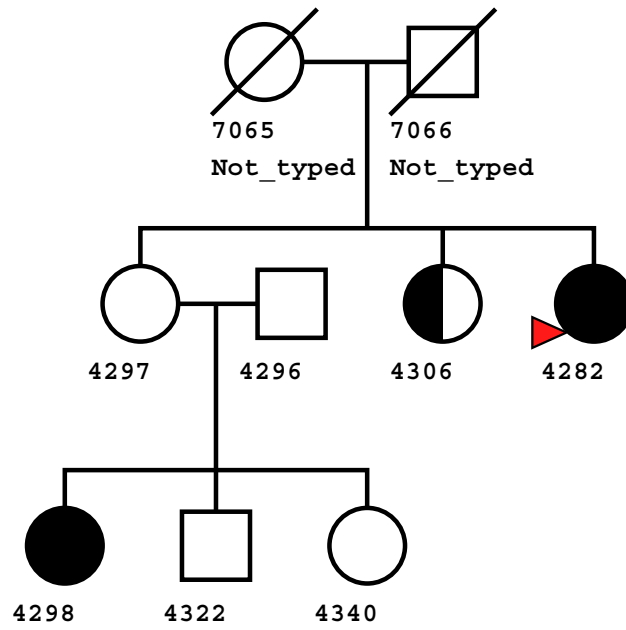
Both

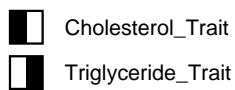
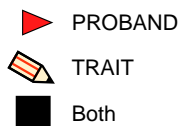
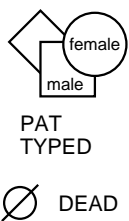
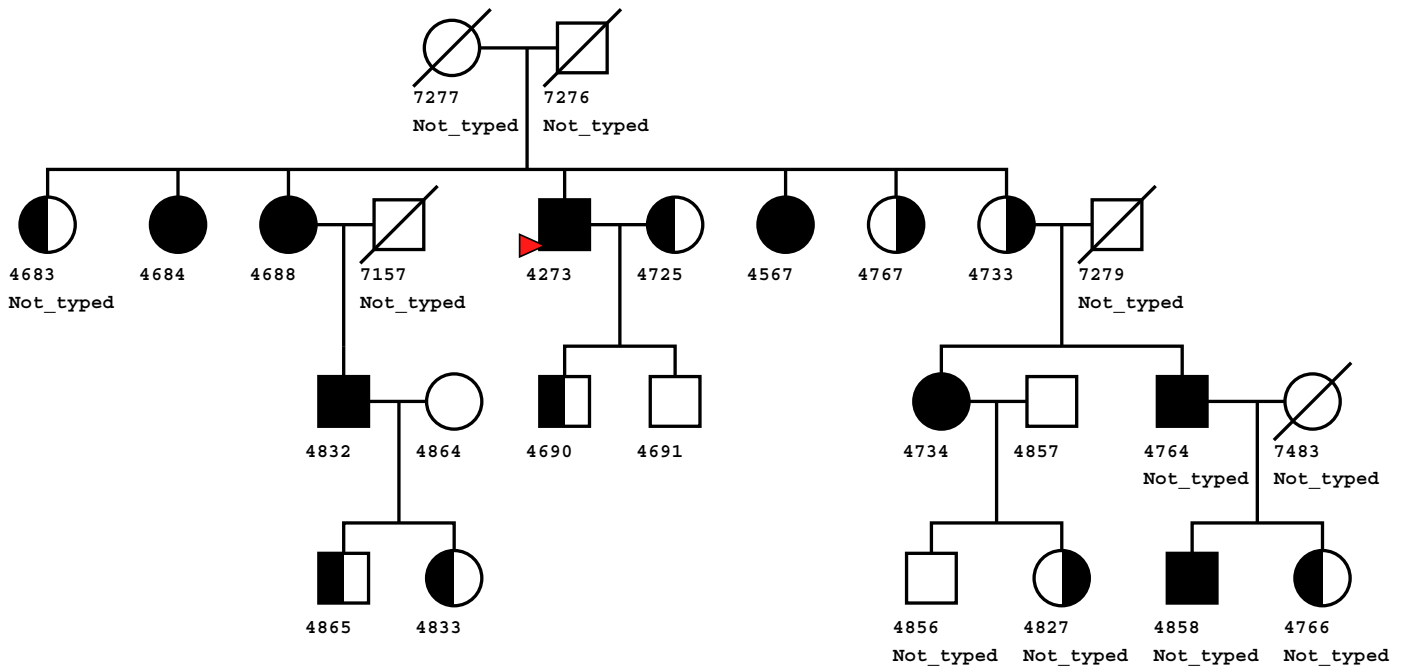
Cholesterol\_Trait

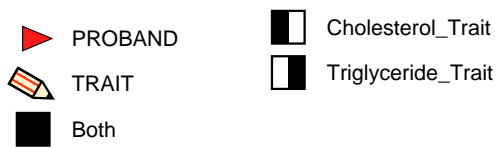
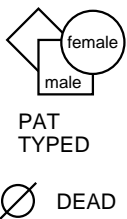
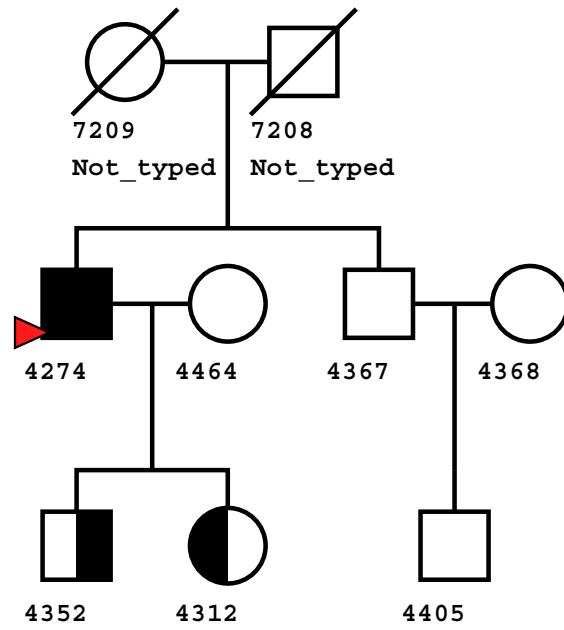
Triglyceride\_Trait



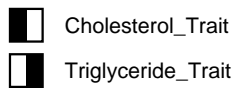
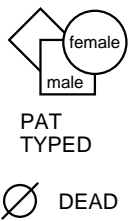
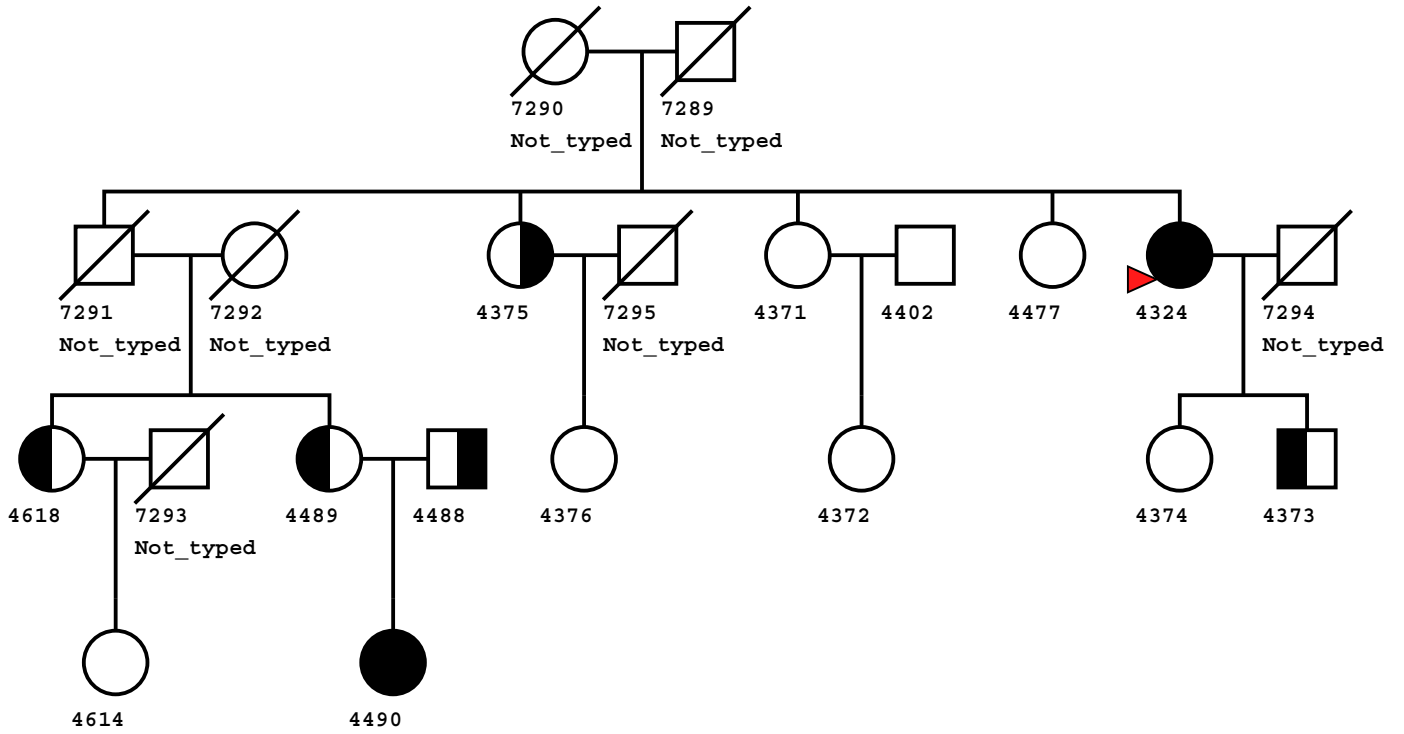




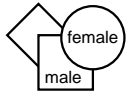




21 individuals



7 individuals



PAT  
TYPED



DEAD



PROBAND



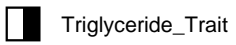
TRAIT



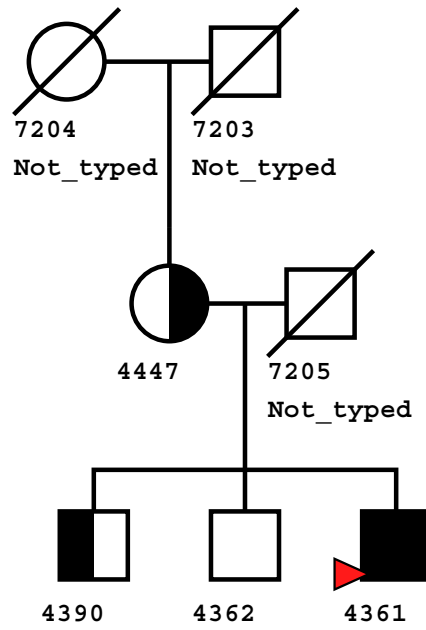
Both

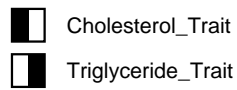
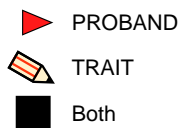
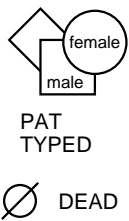
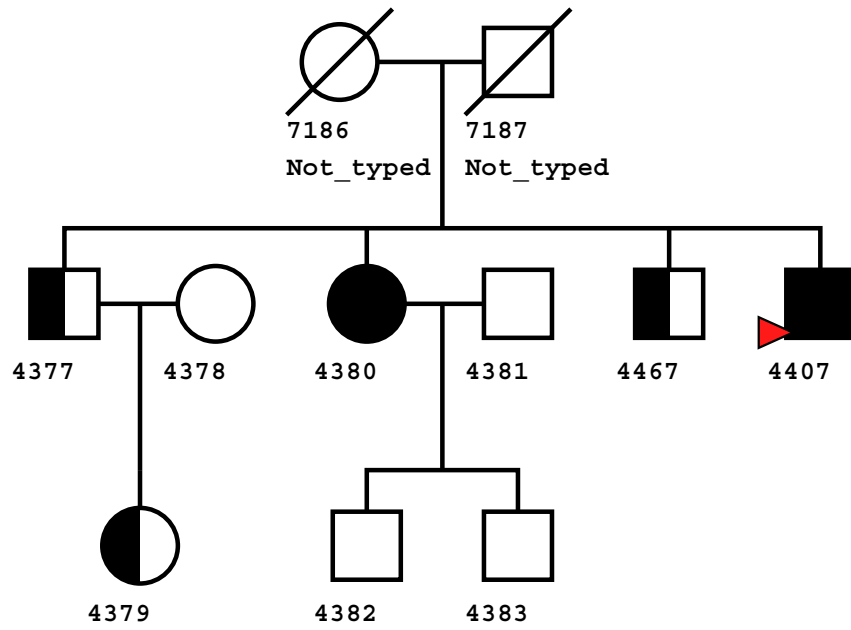


Cholesterol\_Trait

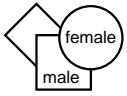


Triglyceride\_Trait

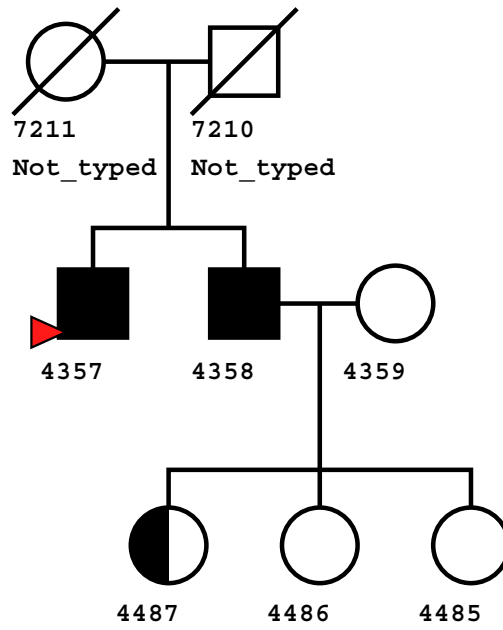
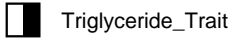




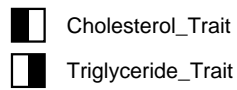
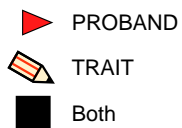
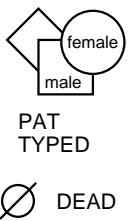
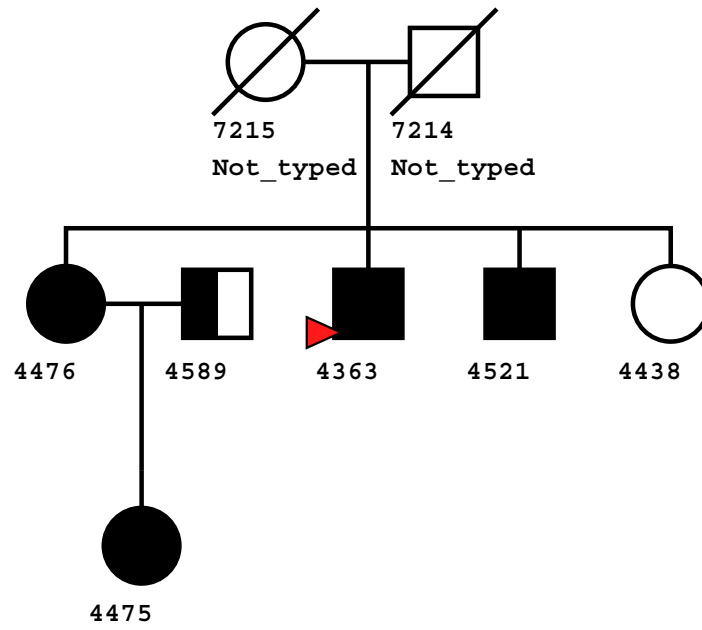
8 individuals

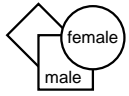


PAT  
TYPED









PAT  
TYPED



DEAD



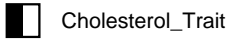
PROBAND



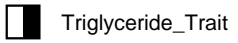
TRAIT



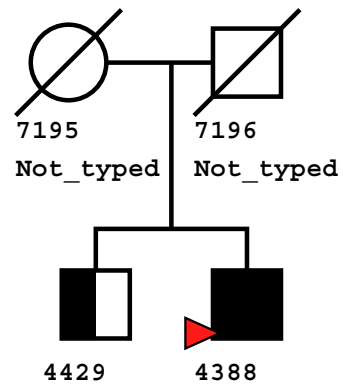
Both

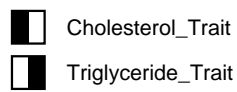
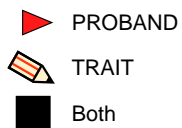
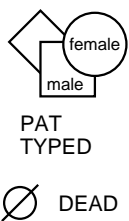
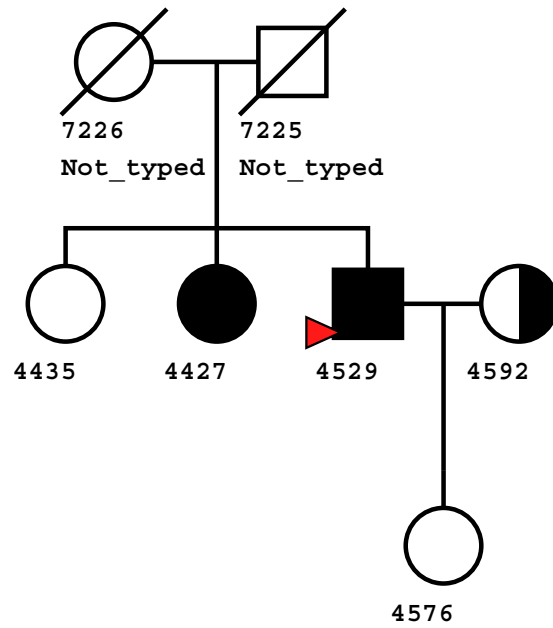


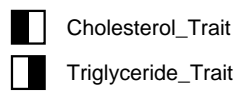
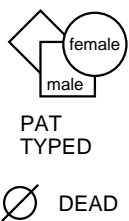
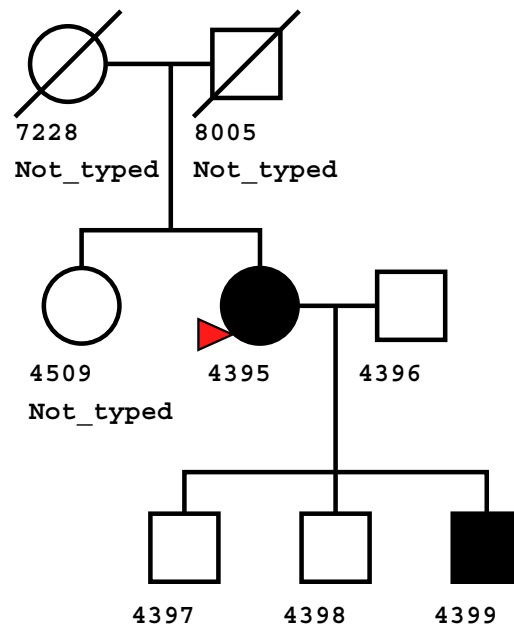
Cholesterol\_Trait



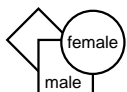
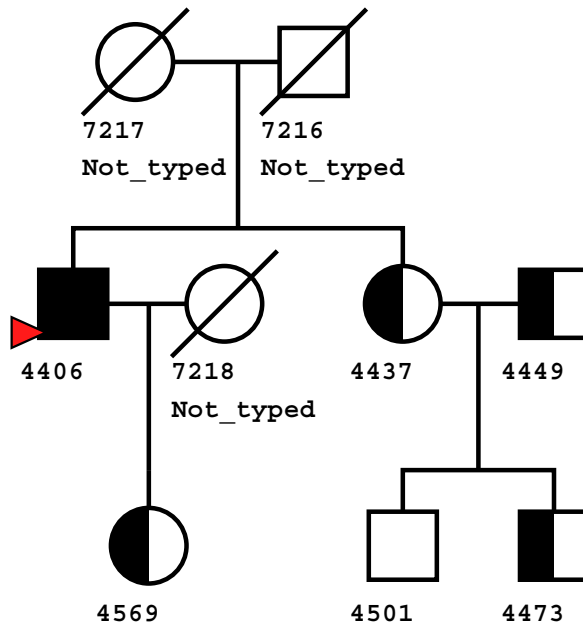
Triglyceride\_Trait







9 individuals



PAT  
TYPED

DEAD

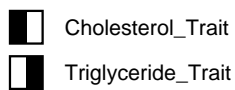
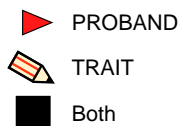
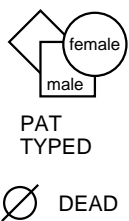
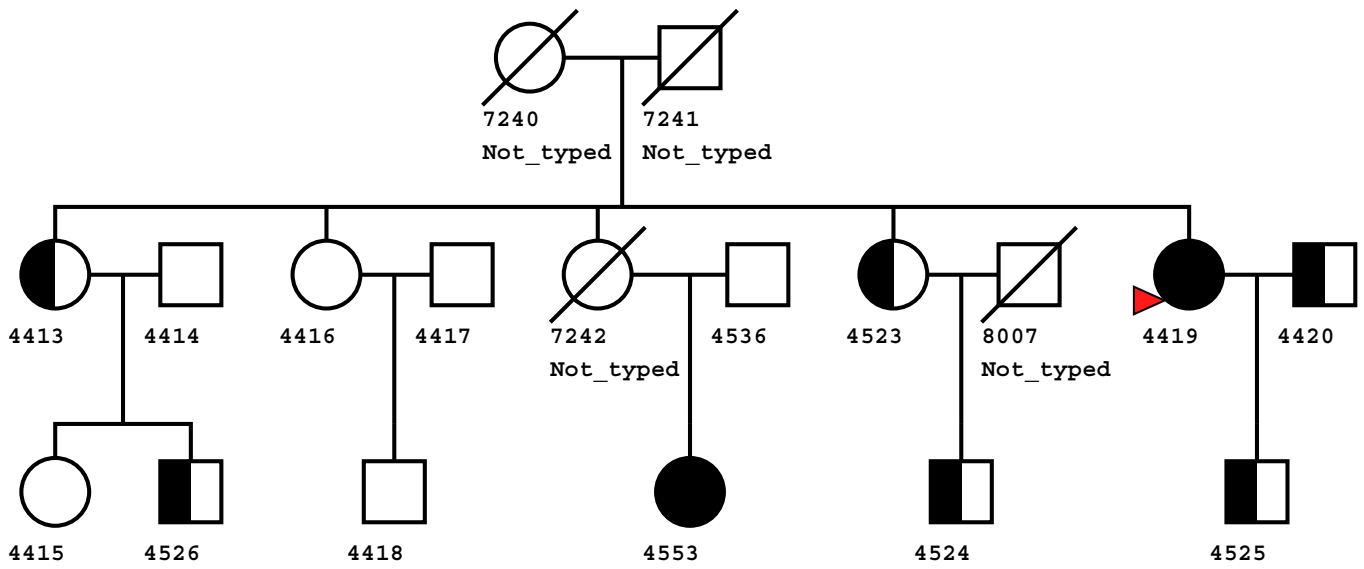
PROBAND

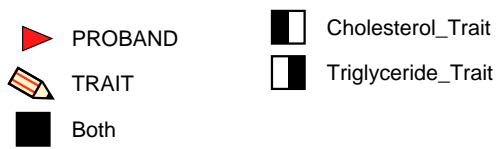
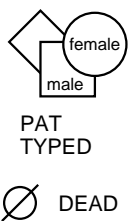
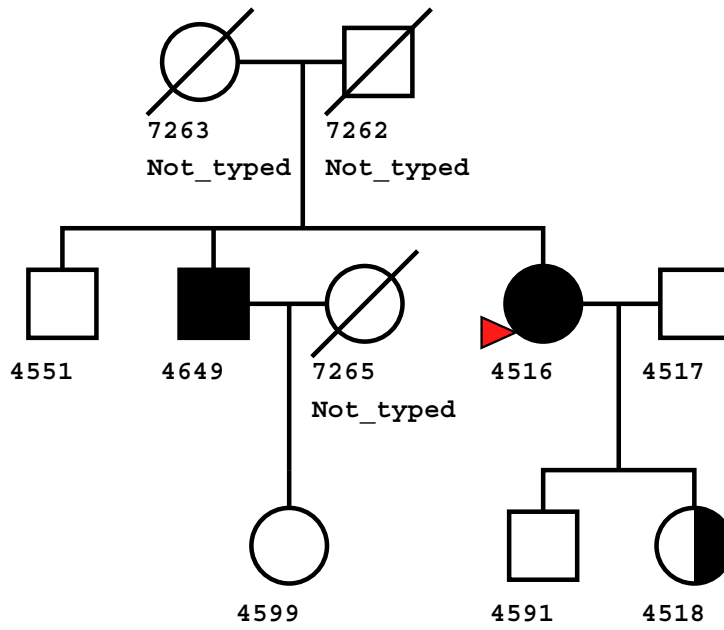
TRAIT

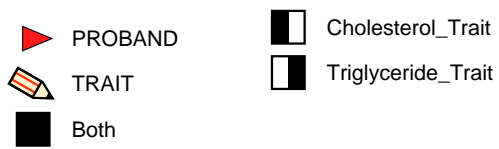
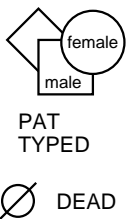
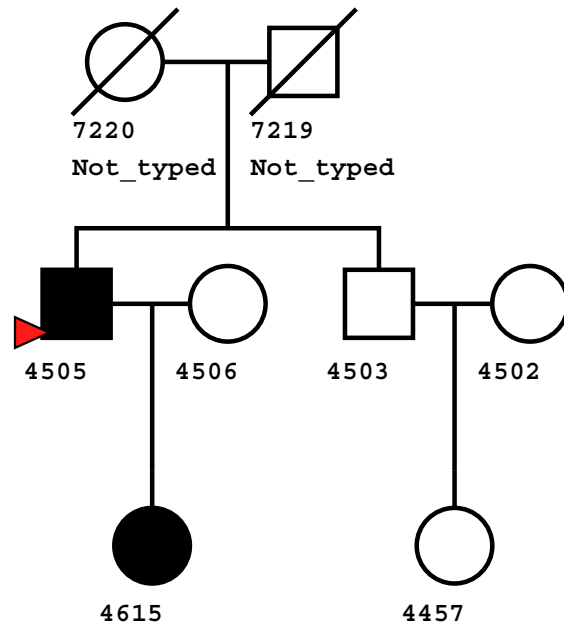
Both

Cholesterol\_Trait

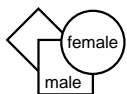
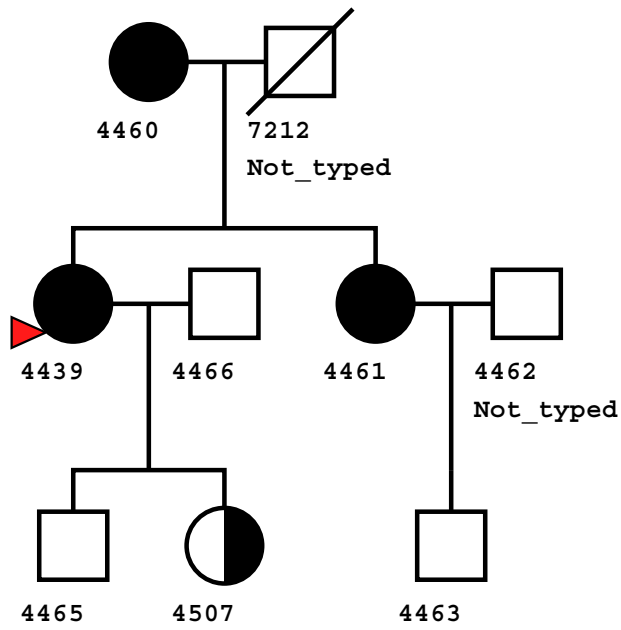
Triglyceride\_Trait











PAT  
TYPED

DEAD

PROBAND

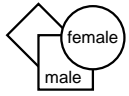
TRAIT

Both

Cholesterol\_Trait

Triglyceride\_Trait

7 individuals



PAT  
TYPED

DEAD

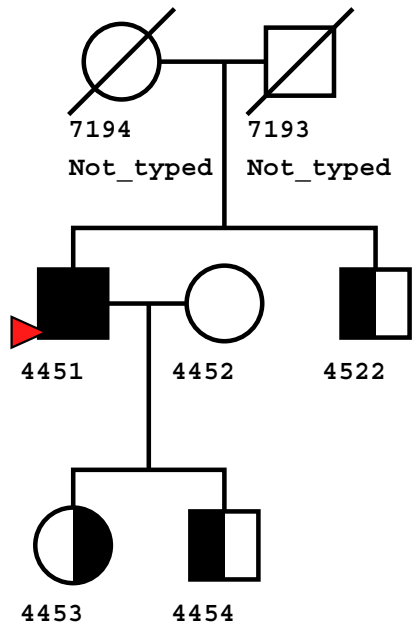
PROBAND

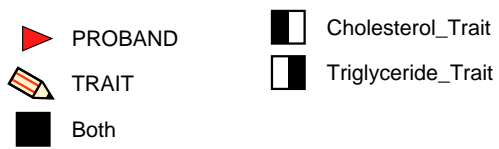
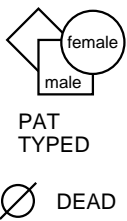
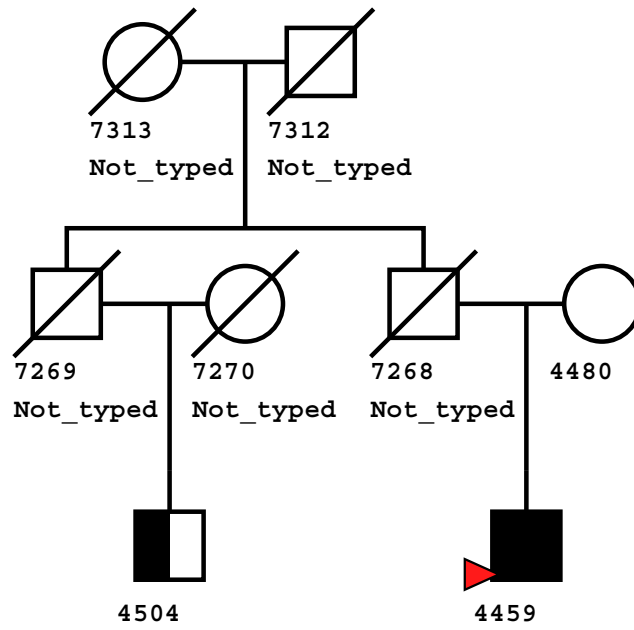
TRAIT

Both

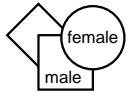
Cholesterol\_Trait

Triglyceride\_Trait

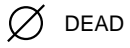




6 individuals



PAT  
TYPED



DEAD



PROBAND



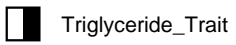
TRAIT



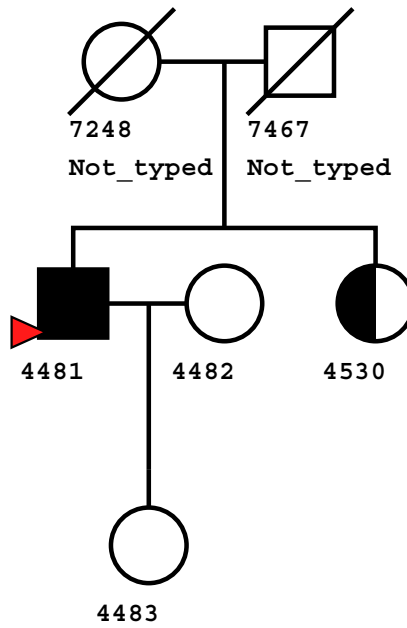
Both

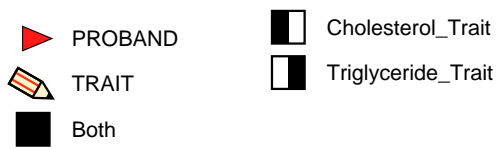
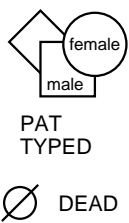
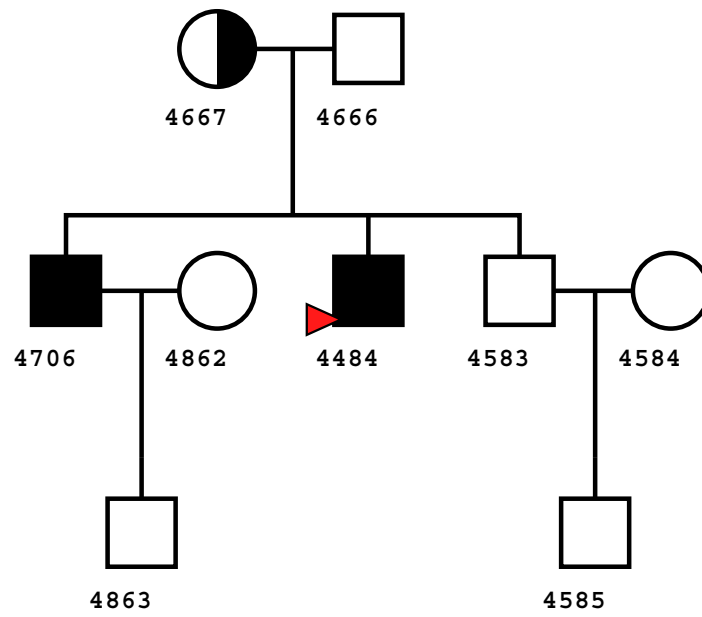


Cholesterol\_Trait

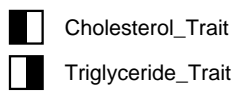
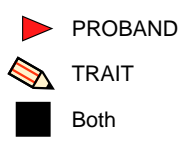
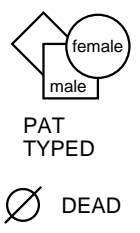
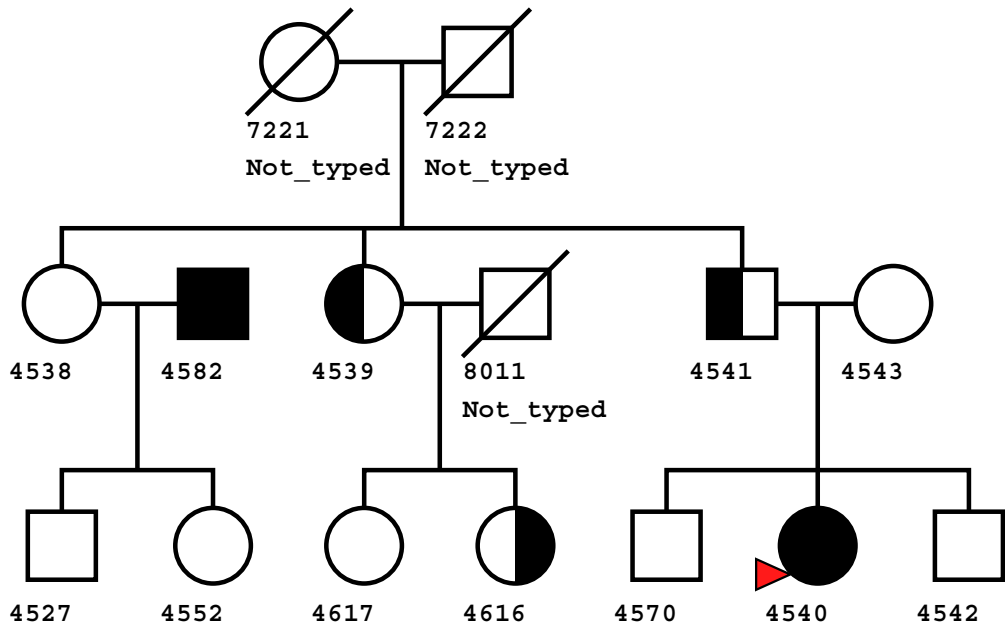


Triglyceride\_Trait

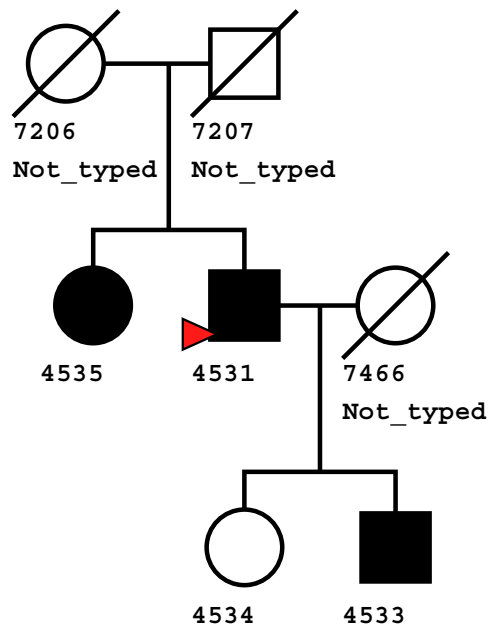
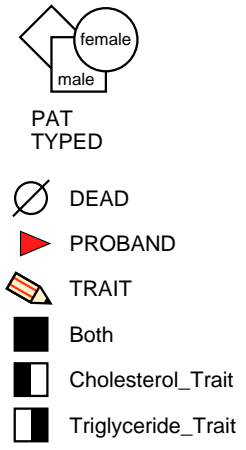




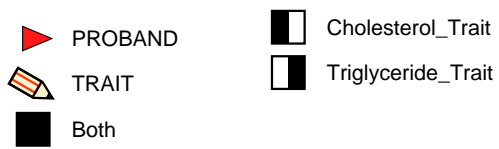
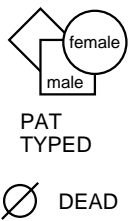
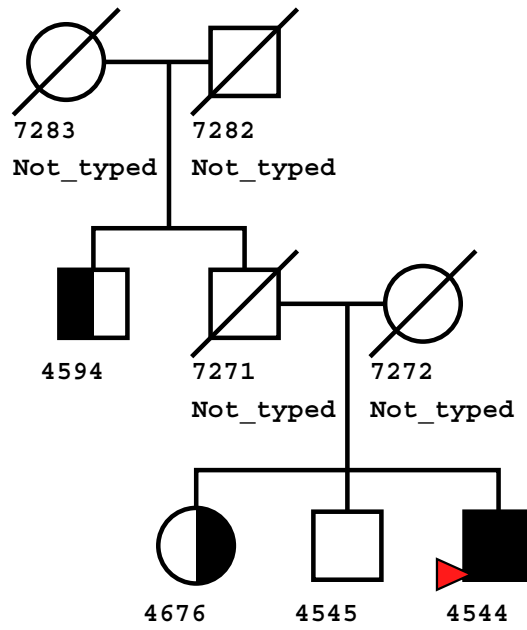
15 individuals



7 individuals

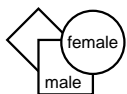
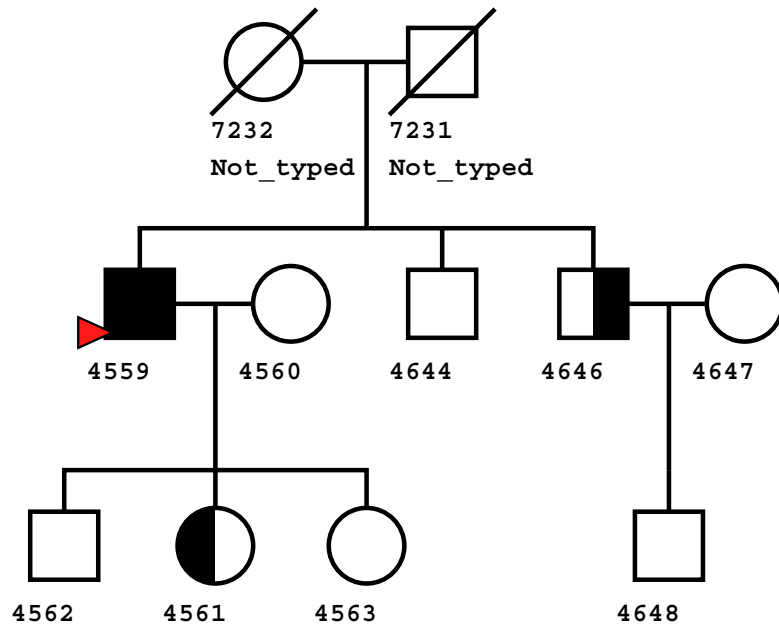


8 individuals





11 individuals



PAT  
TYPED

DEAD

PROBAND

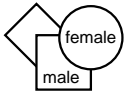
TRAIT

Both

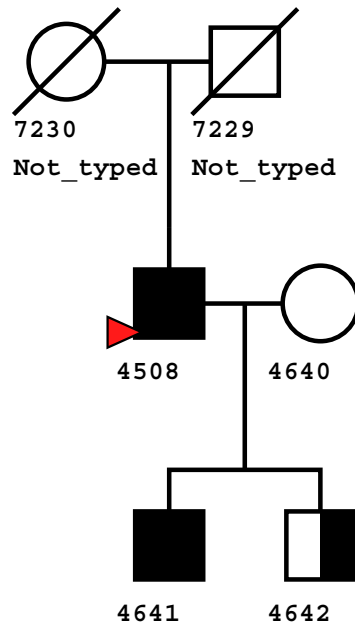
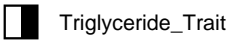
Cholesterol\_Trait

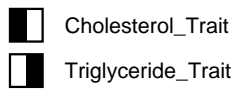
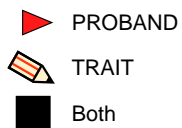
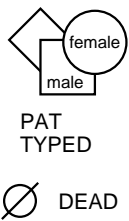
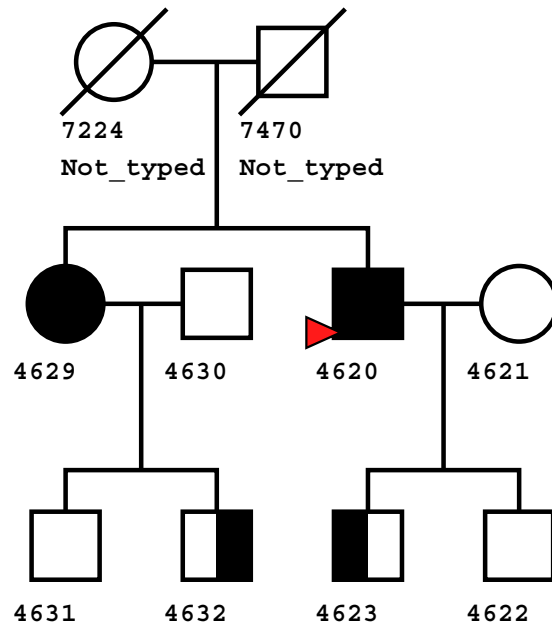
Triglyceride\_Trait

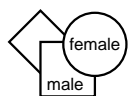
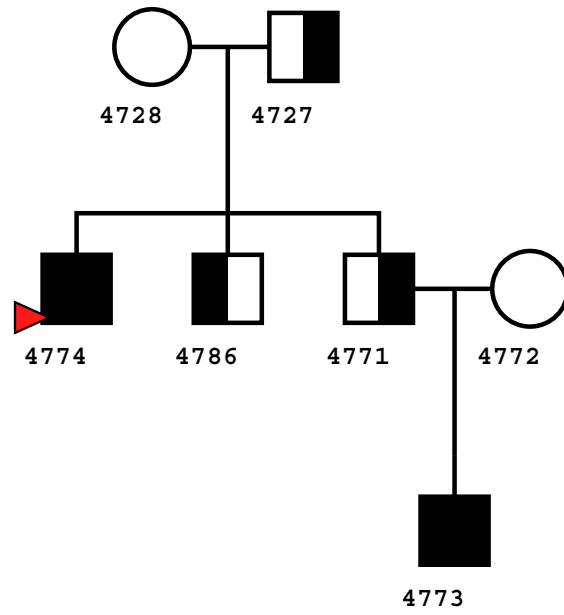
6 individuals



PAT  
TYPED








PAT  
TYPED




 PROBAND

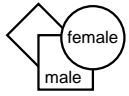
 TRAIT

 Both

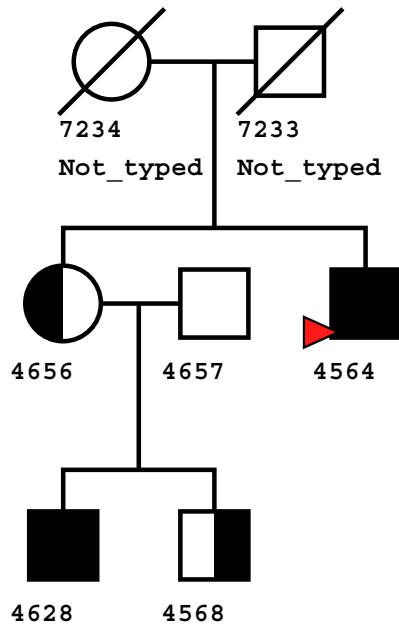
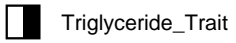
 Cholesterol\_Trait

 Triglyceride\_Trait

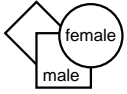
7 individuals



PAT  
TYPED



8 individuals



PAT  
TYPED

DEAD

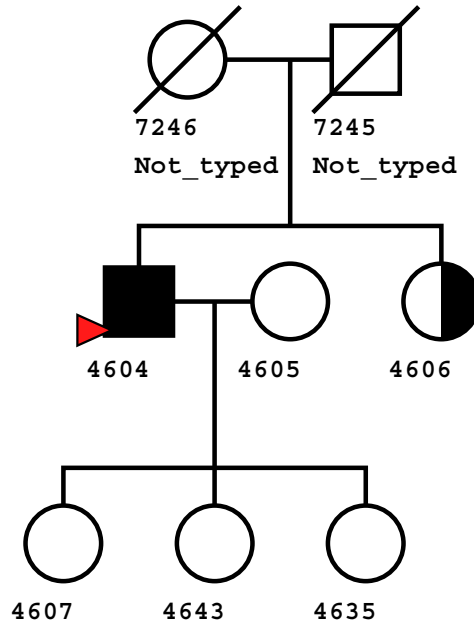
PROBAND

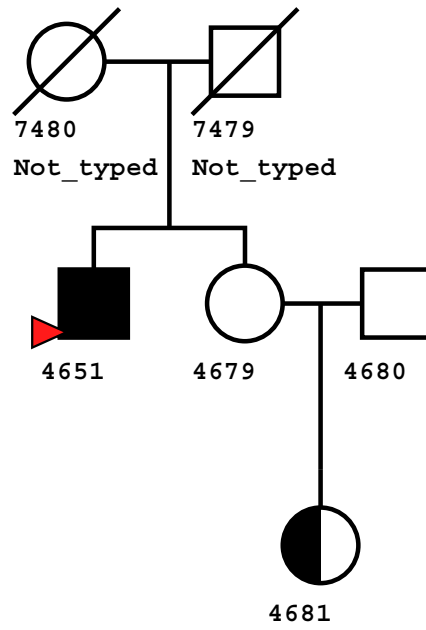
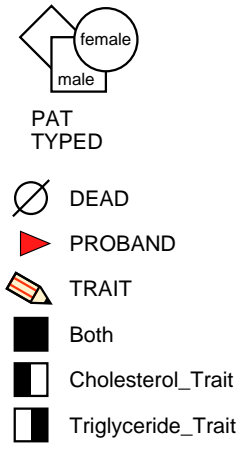
TRAIT

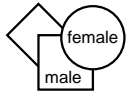
Both

Cholesterol\_Trait

Triglyceride\_Trait







PAT  
TYPED

DEAD

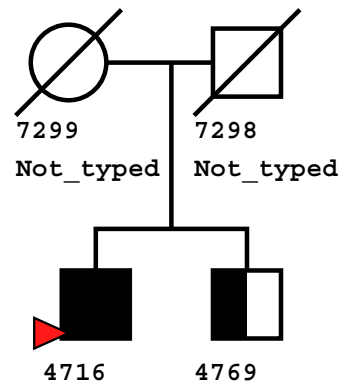
PROBAND

TRAIT

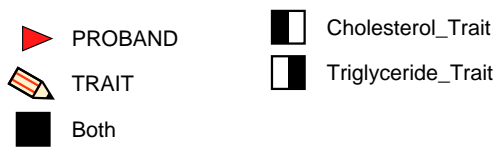
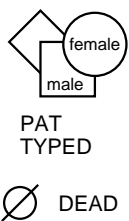
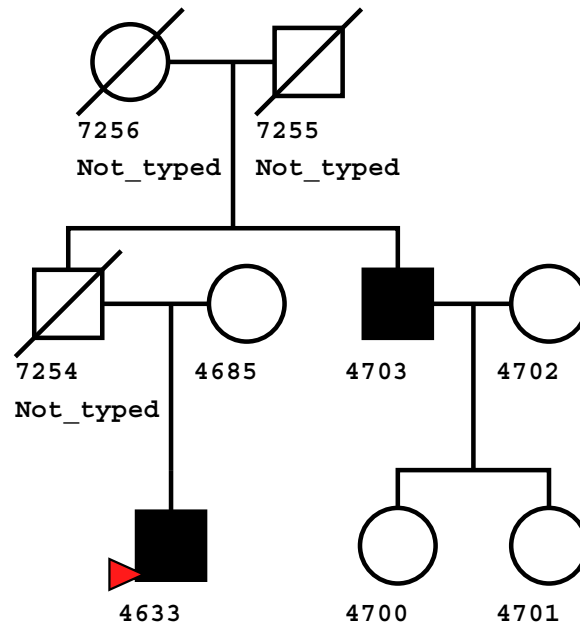
Both

Cholesterol\_Trait

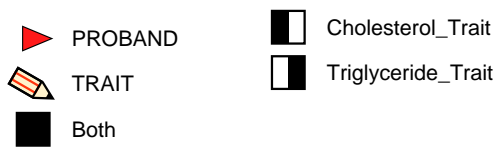
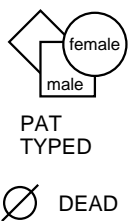
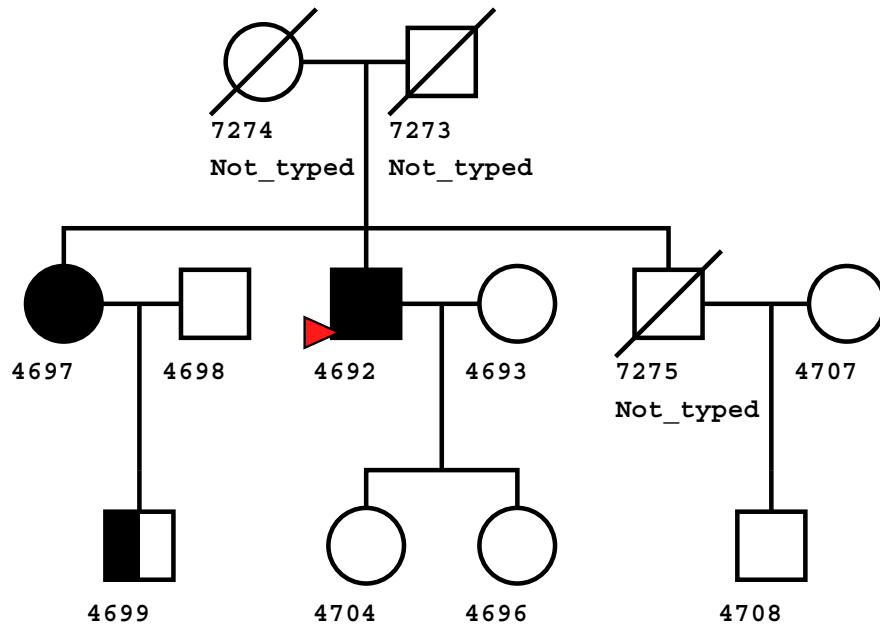
Triglyceride\_Trait

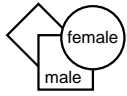






12 individuals





PAT  
TYPED

DEAD

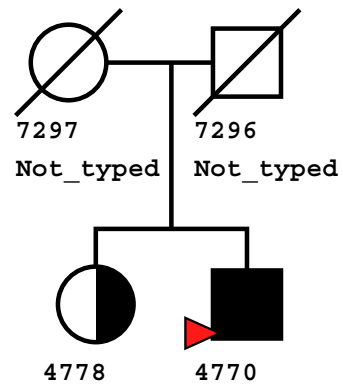
PROBAND

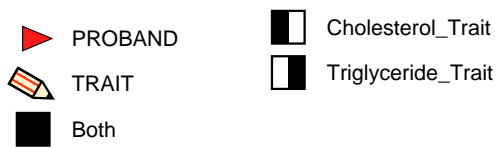
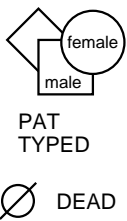
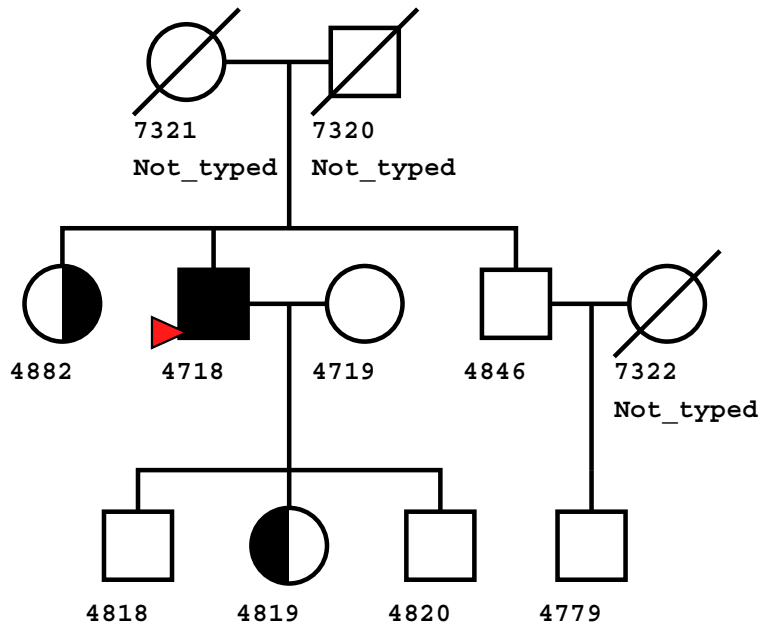
TRAIT

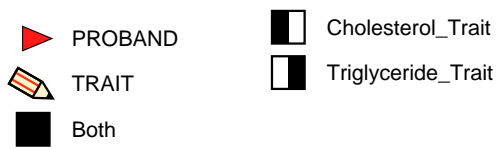
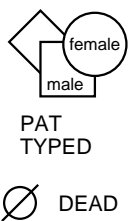
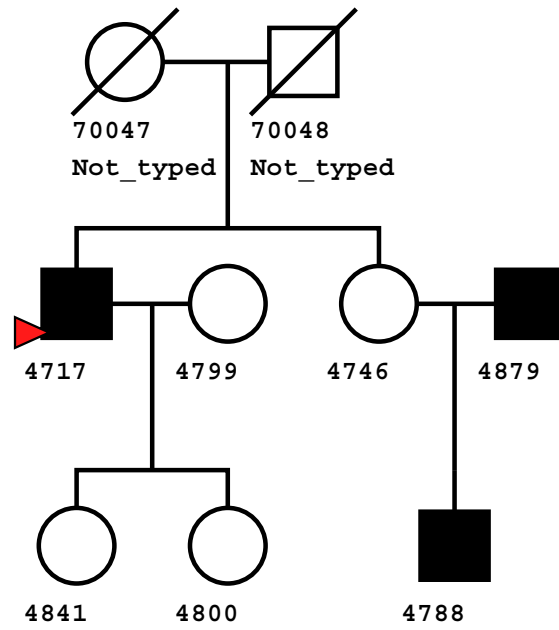
Both

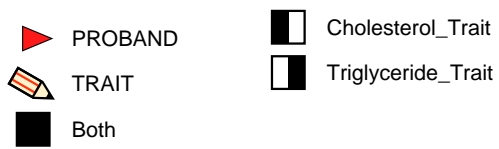
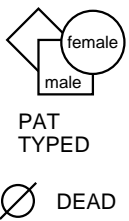
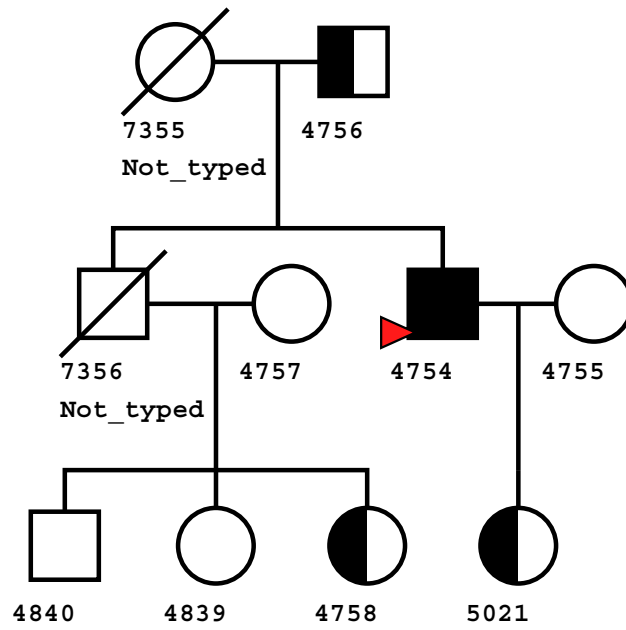
Cholesterol\_Trait

Triglyceride\_Trait

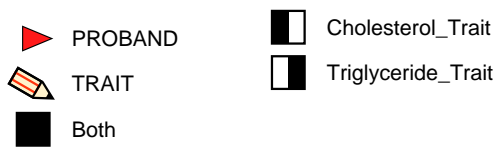
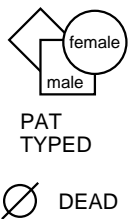
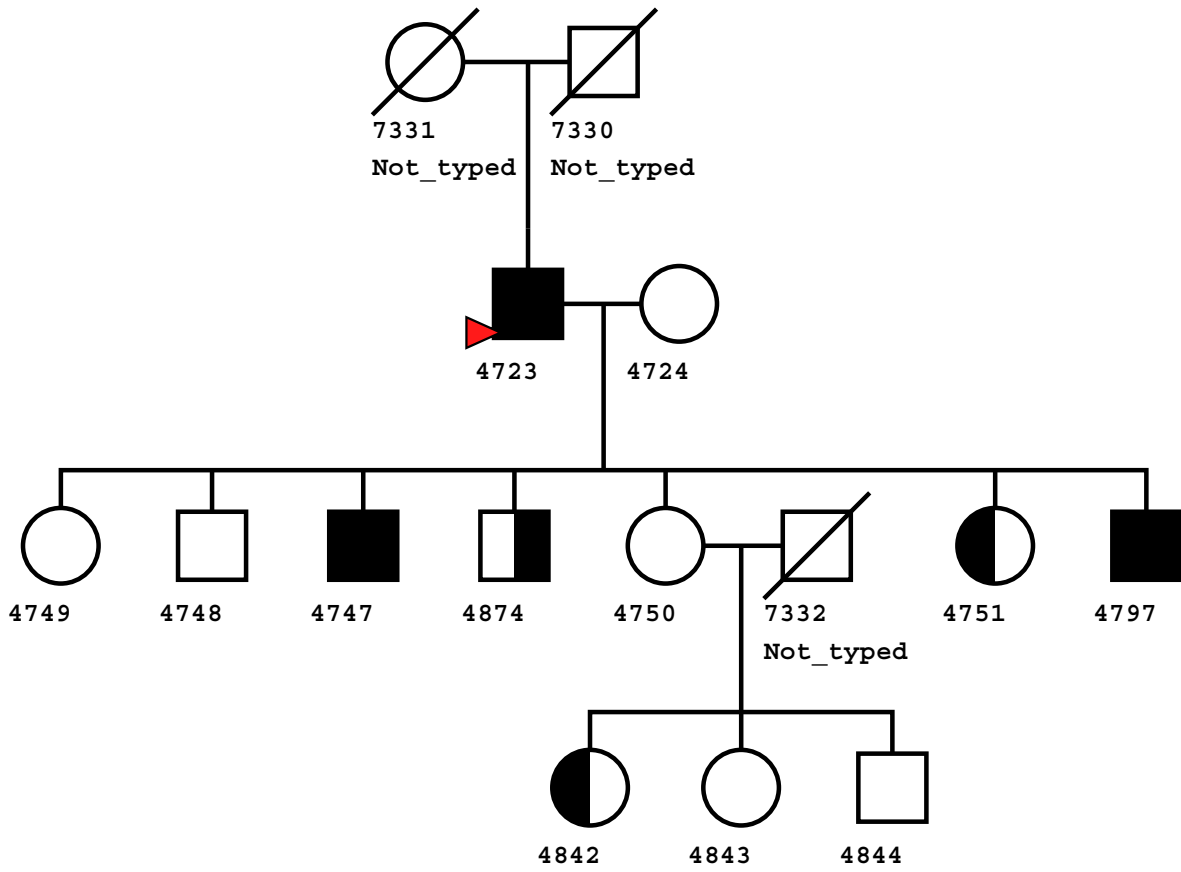


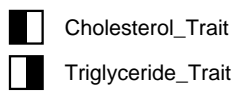
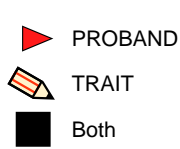
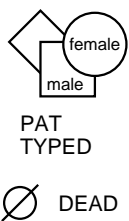
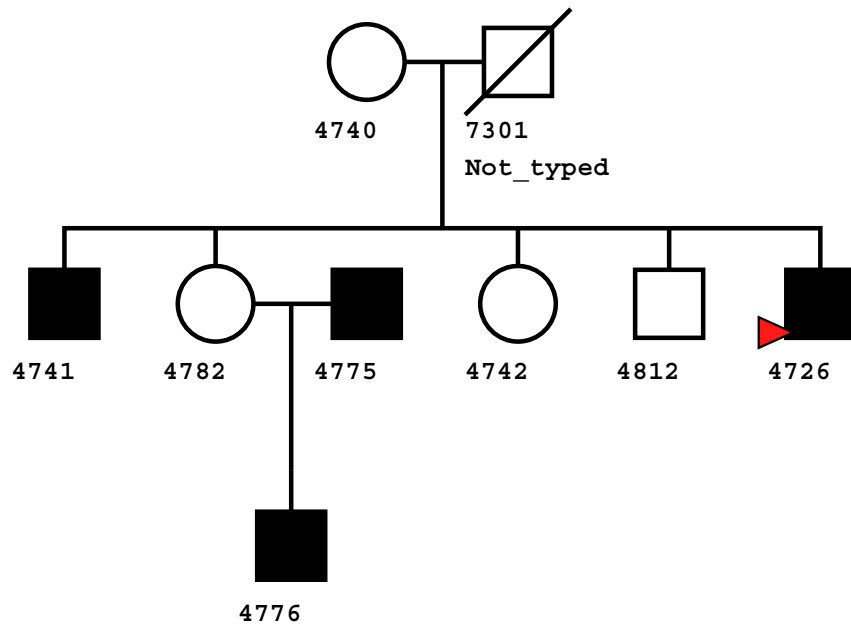




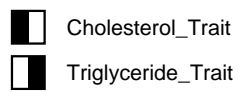
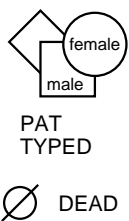
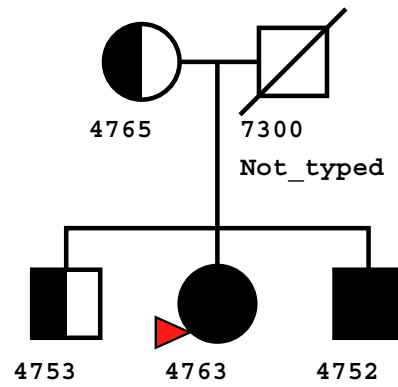


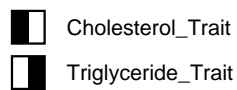
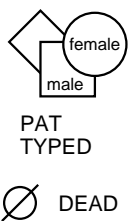
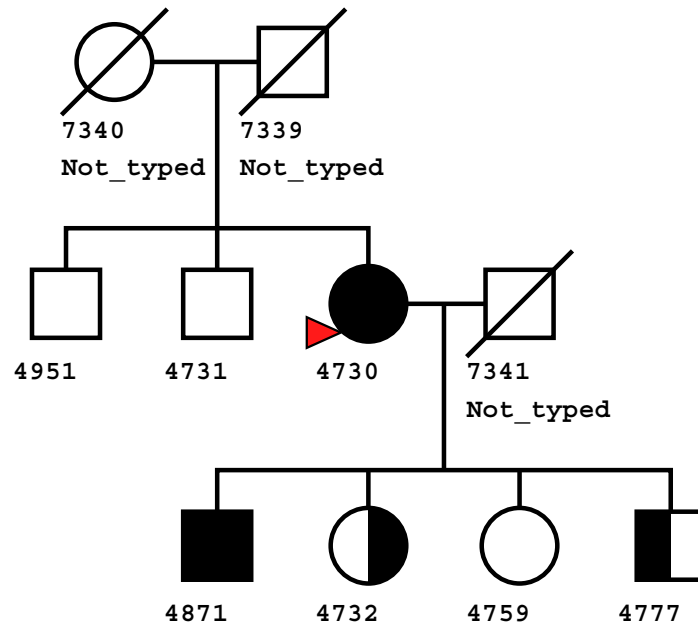
15 individuals

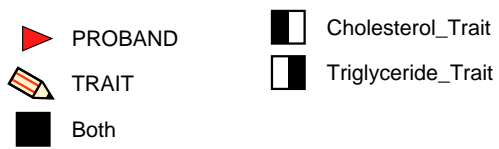
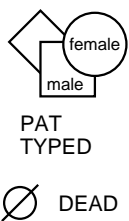
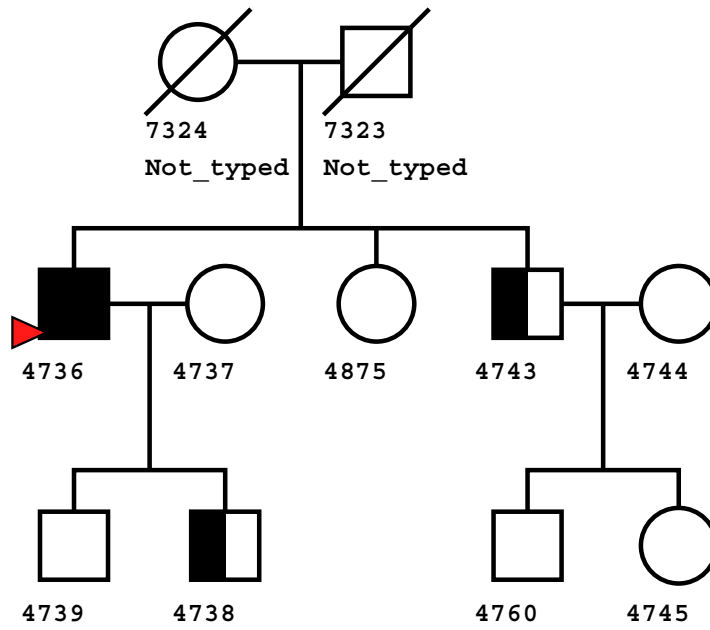


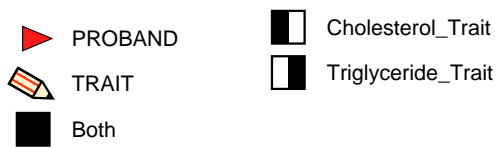
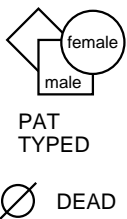
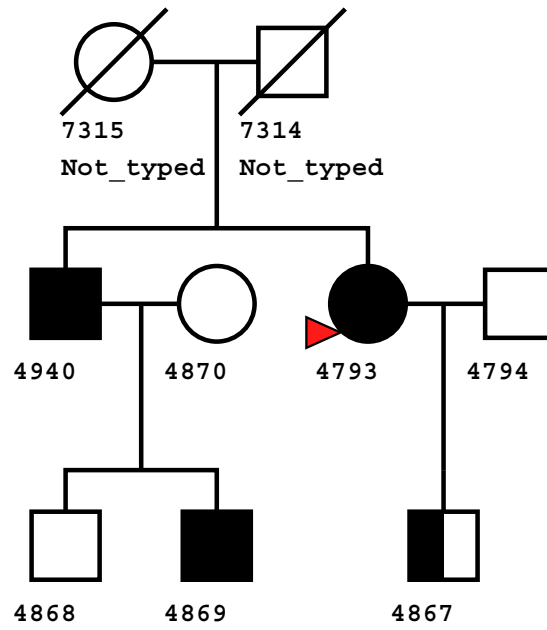




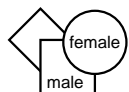
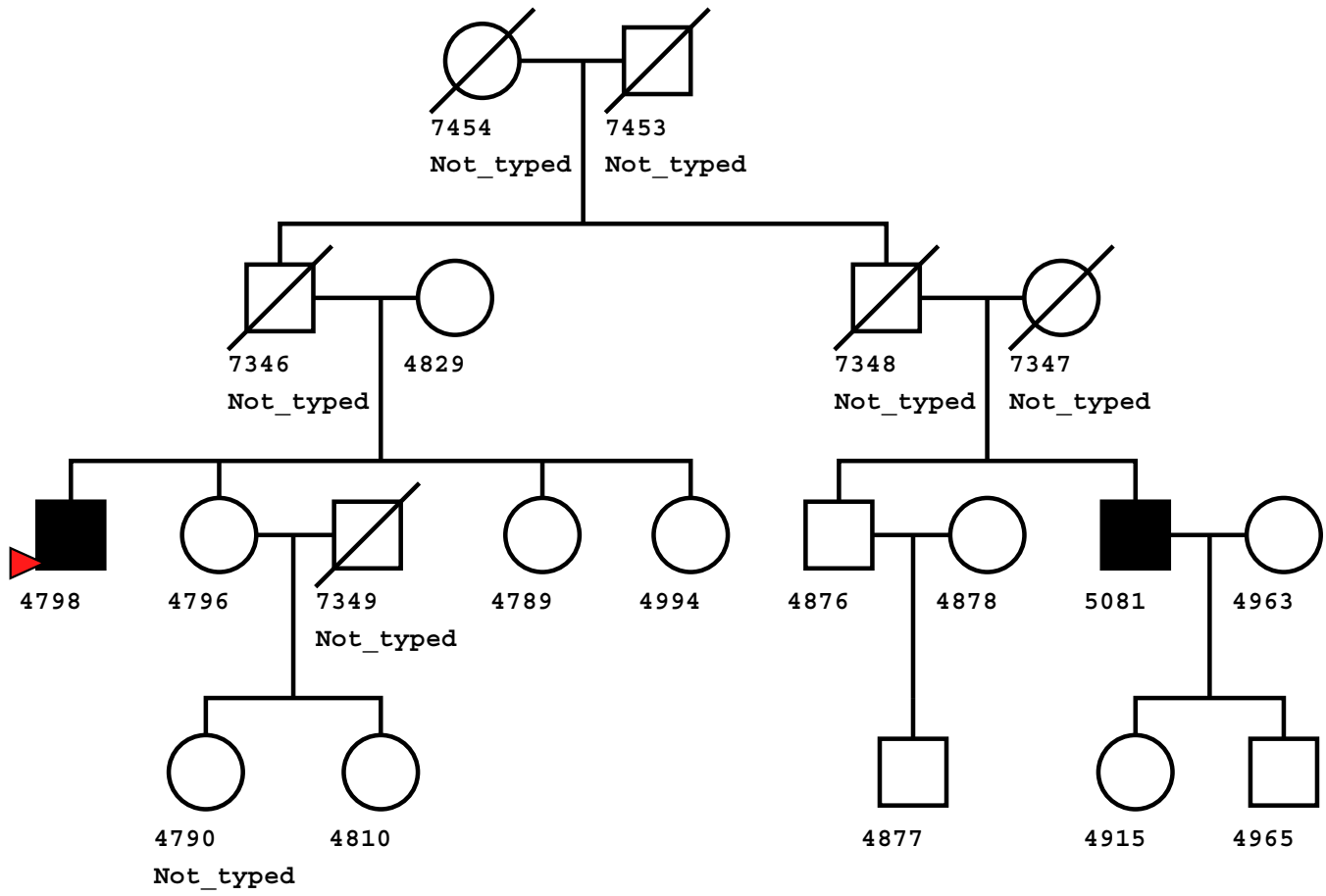








20 individuals



PAT  
TYPED

DEAD

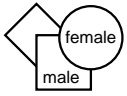
PROBAND

TRAIT

Both

Cholesterol\_Trait

Triglyceride\_Trait



PAT  
TYPED



DEAD



PROBAND



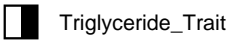
TRAIT



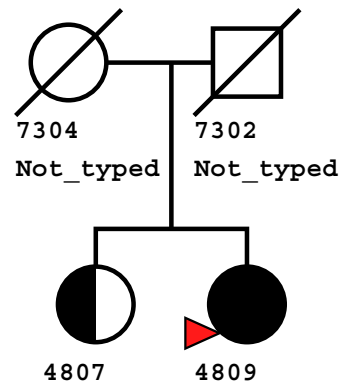
Both



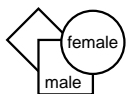
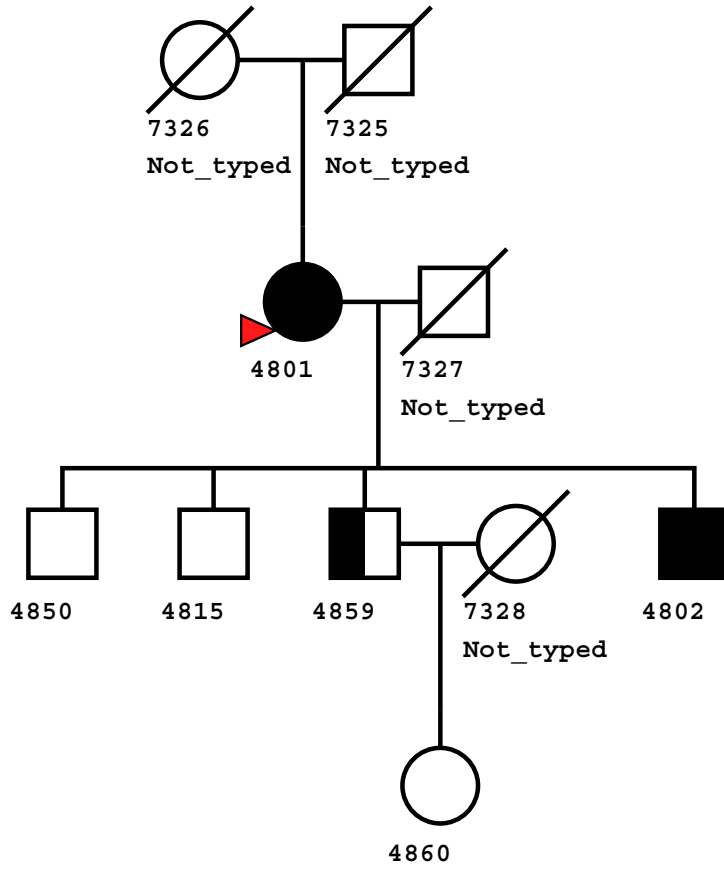
Cholesterol\_Trait



Triglyceride\_Trait



10 individuals



PAT  
TYPED

DEAD

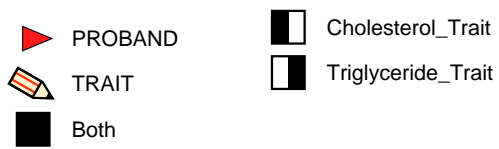
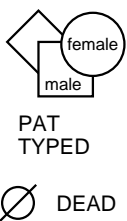
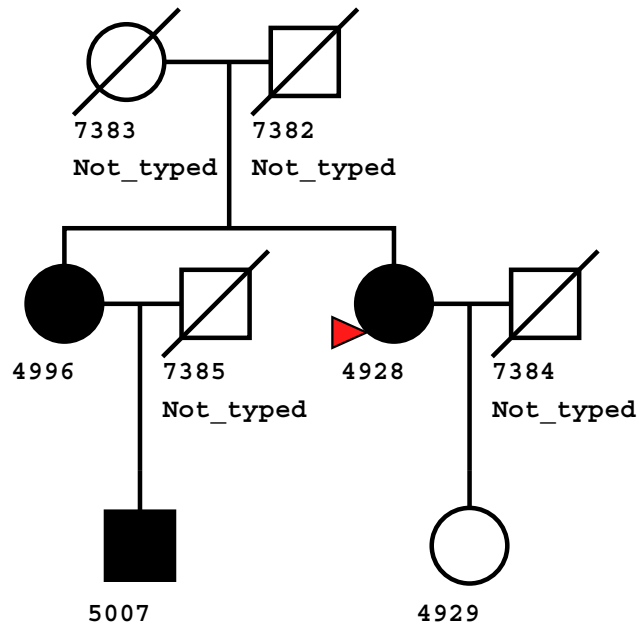
PROBAND

TRAIT

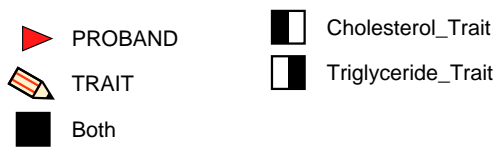
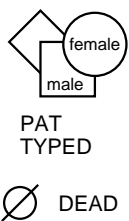
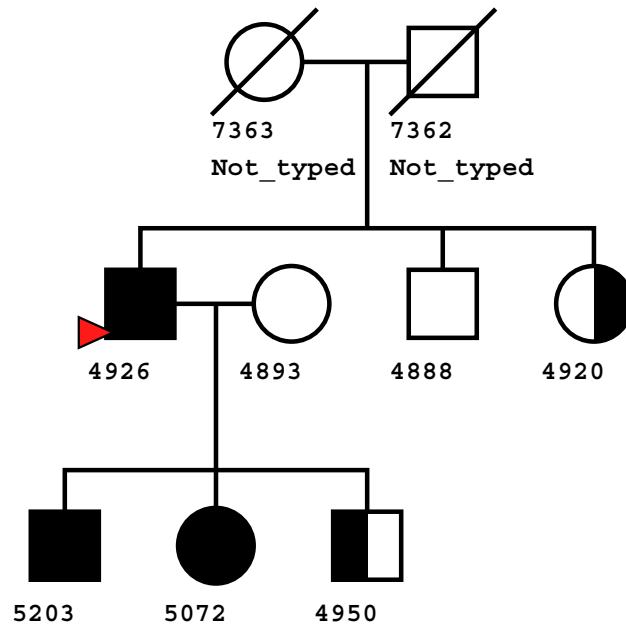
Both

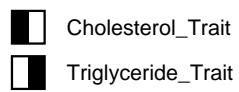
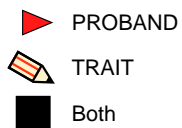
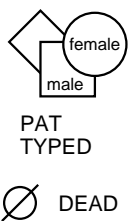
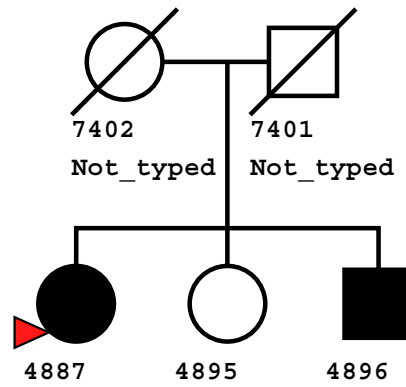
Cholesterol\_Trait

Triglyceride\_Trait

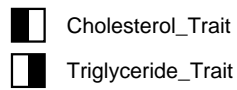
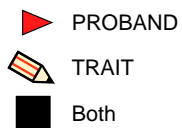
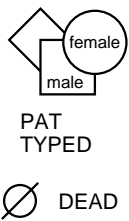
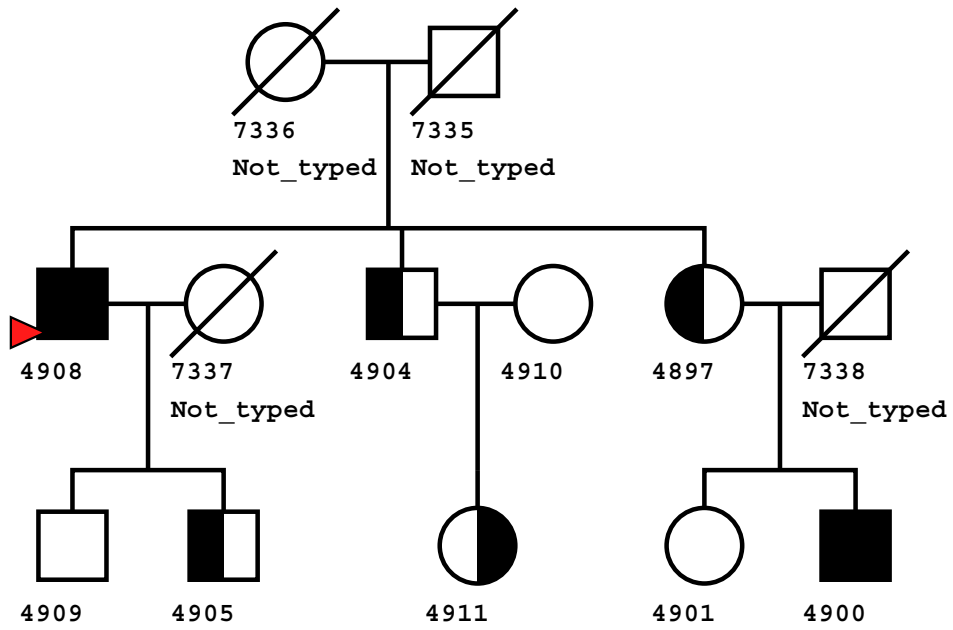


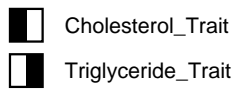
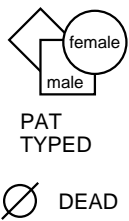
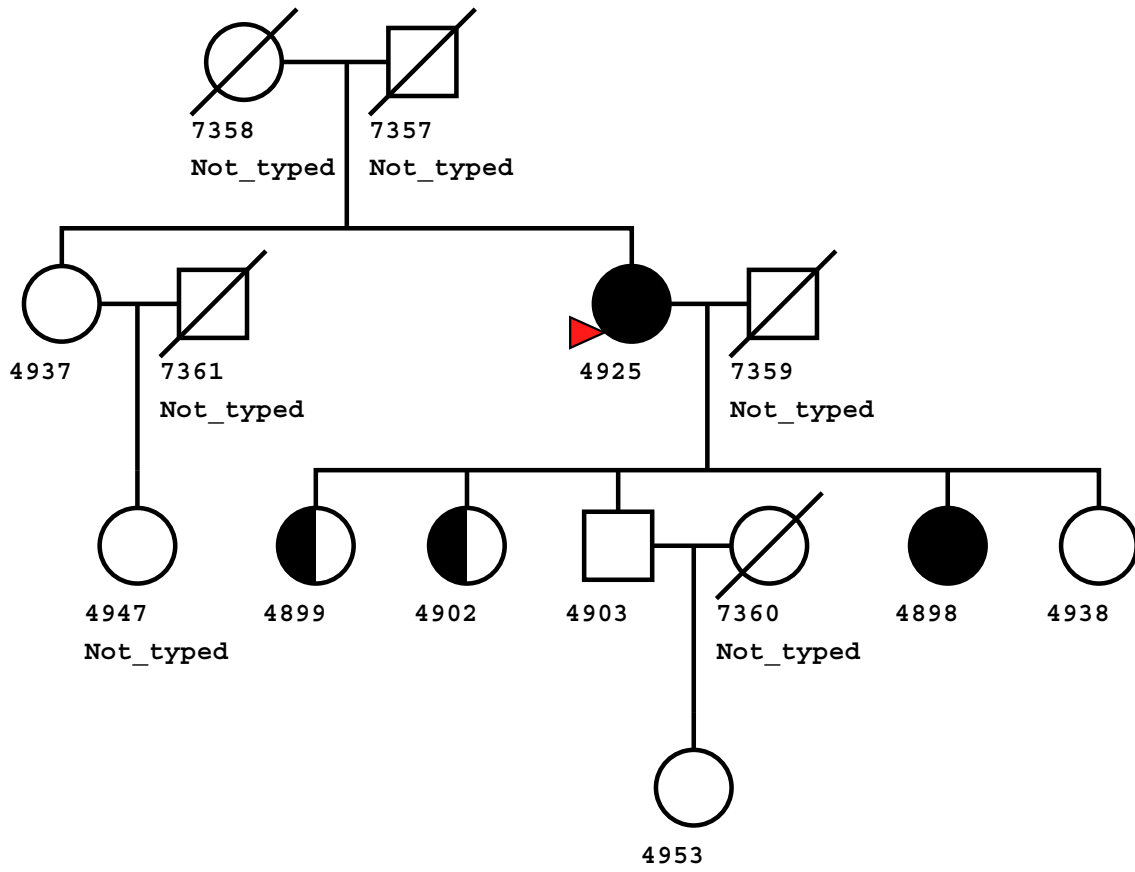


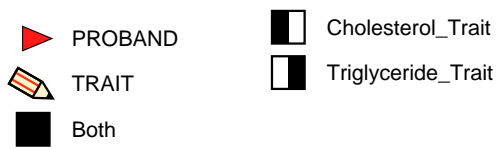
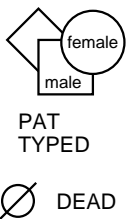
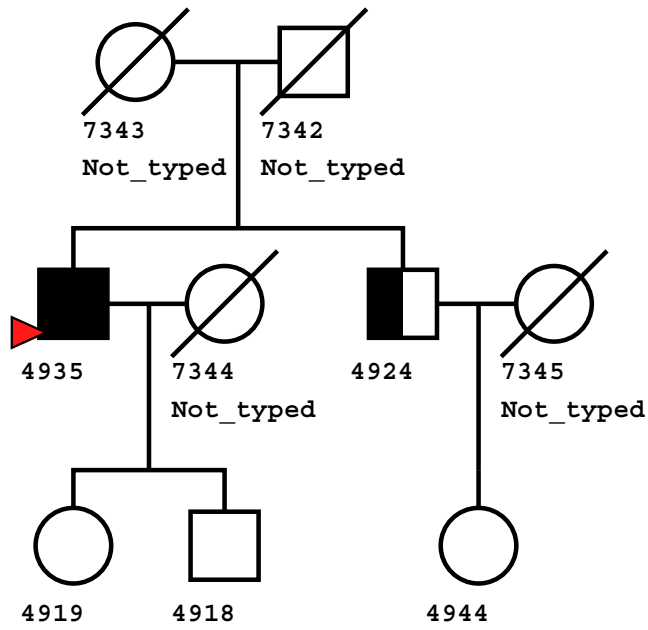




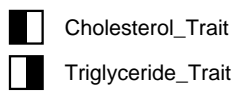
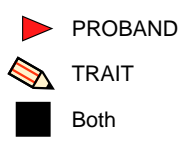
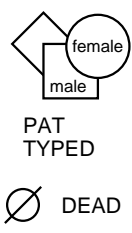
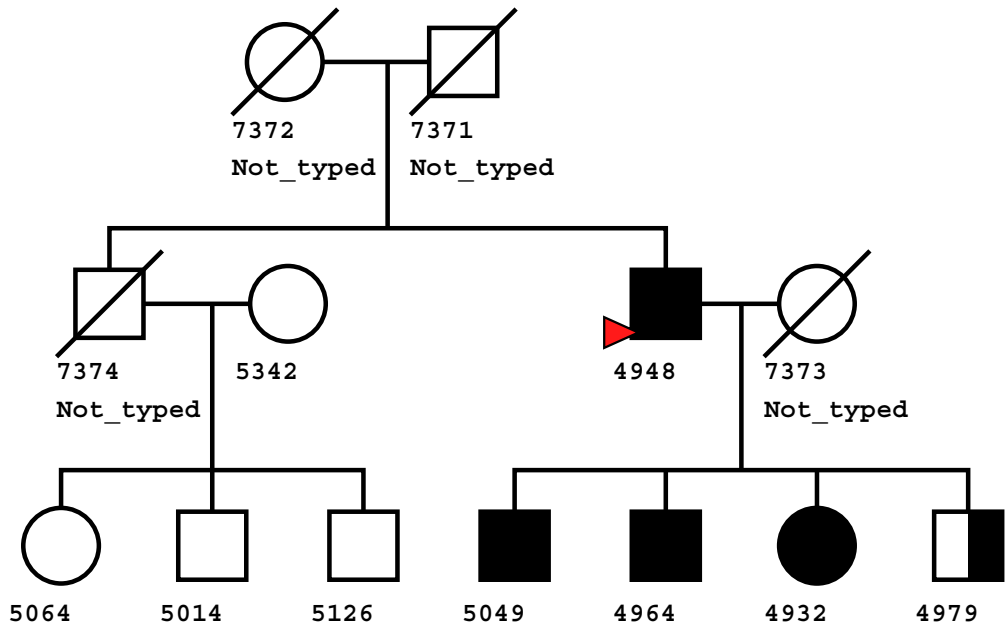
13 individuals



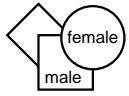




13 individuals



6 individuals



PAT  
TYPED

DEAD

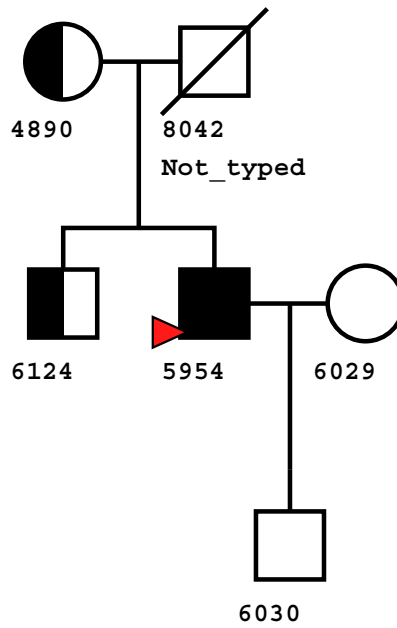
PROBAND

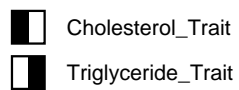
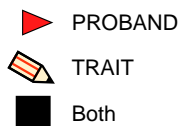
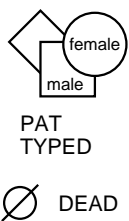
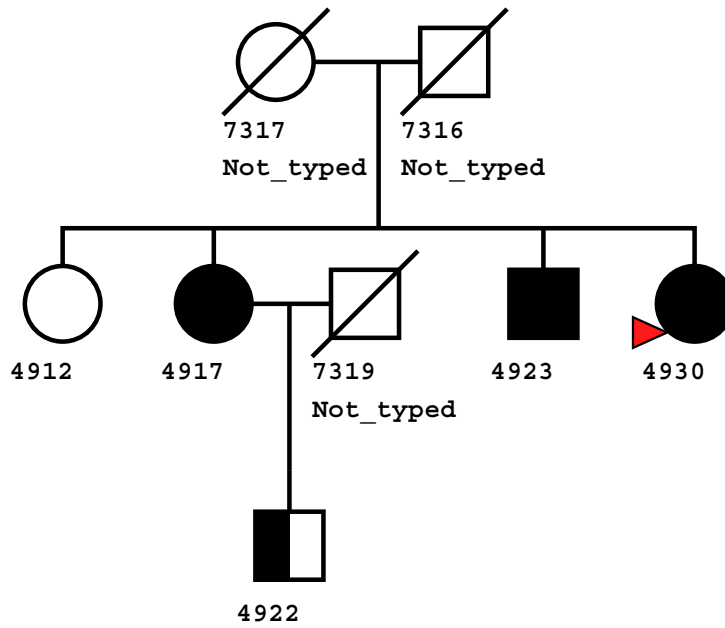
TRAIT

Both

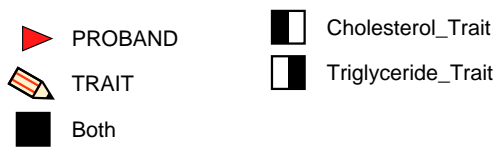
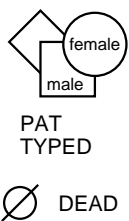
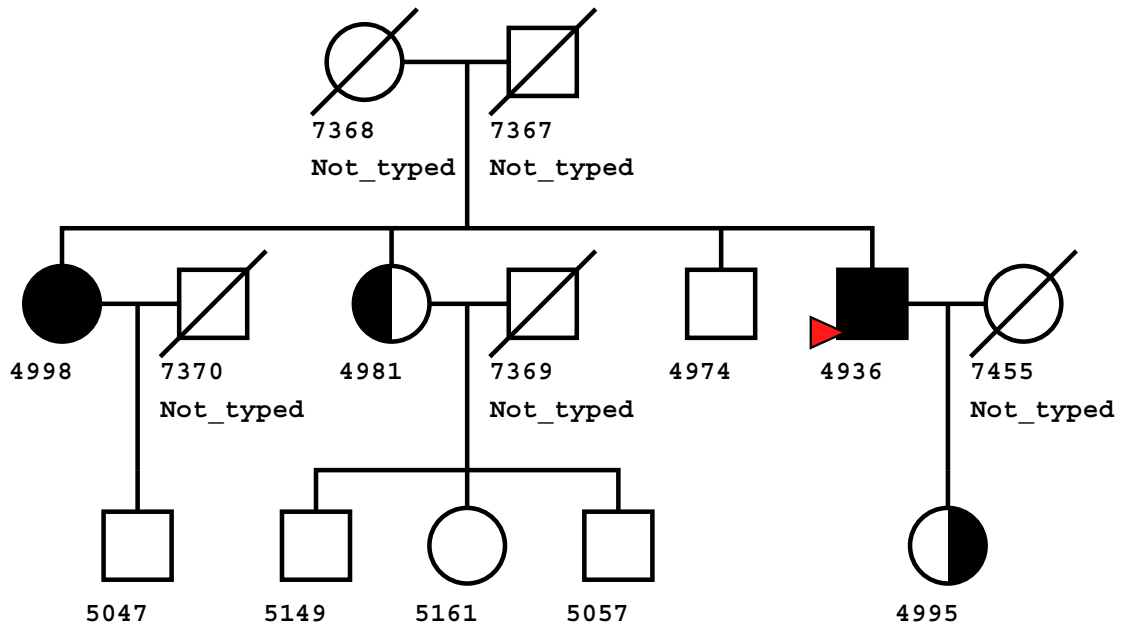
Cholesterol\_Trait

Triglyceride\_Trait

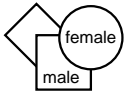








7 individuals



PAT  
TYPED

DEAD

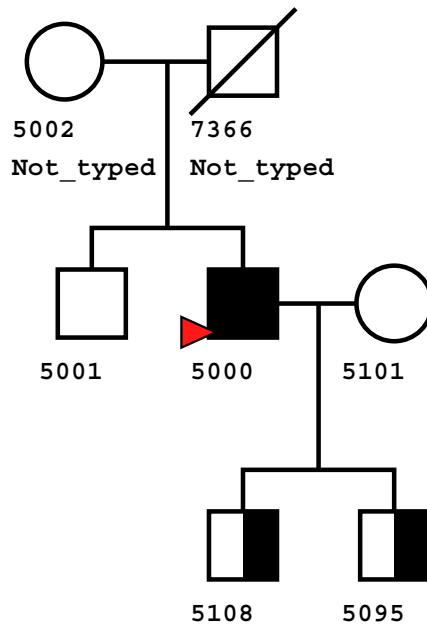
PROBAND

TRAIT

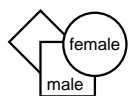
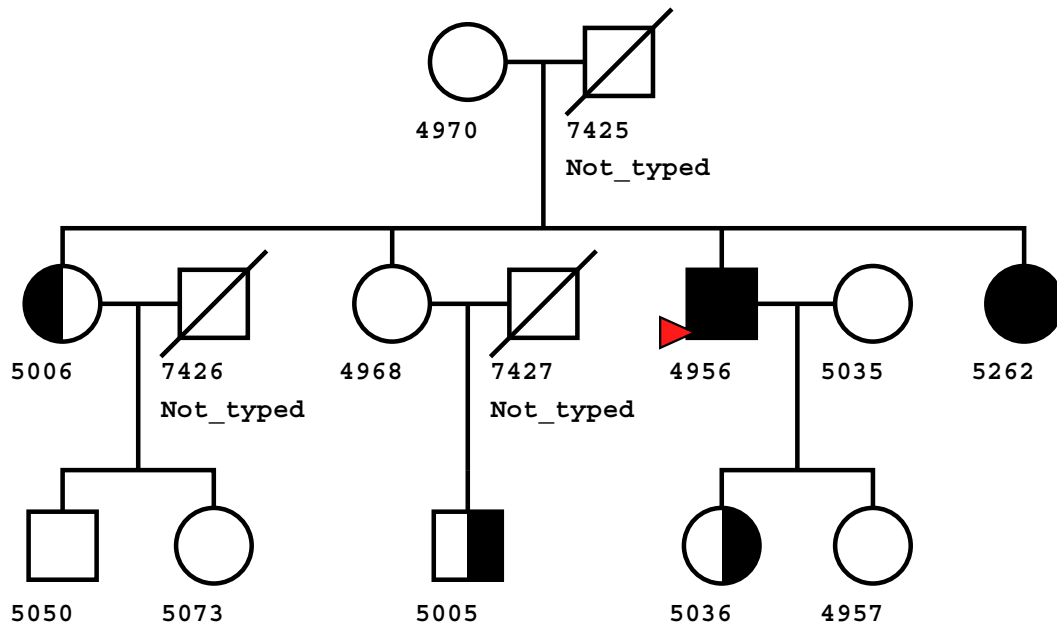
Both

Cholesterol\_Trait

Triglyceride\_Trait



14 individuals



PAT  
TYPED

DEAD

PROBAND

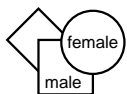
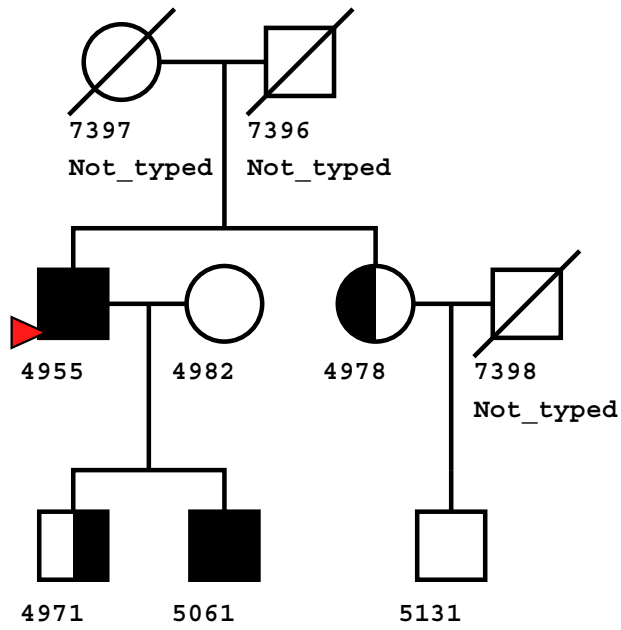
TRAIT

Both

Cholesterol\_Trait

Triglyceride\_Trait

9 individuals



PAT  
TYPED

DEAD

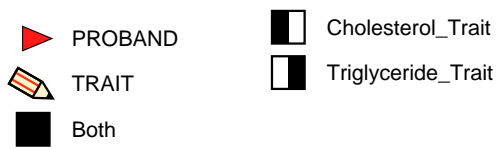
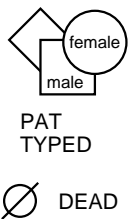
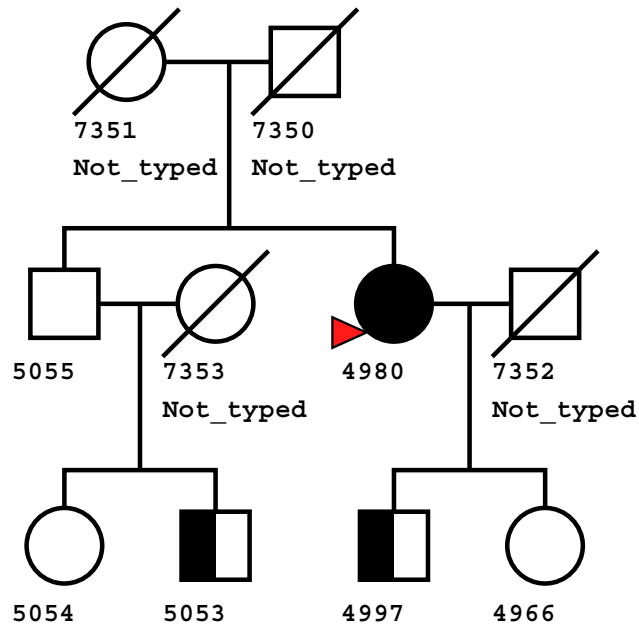
PROBAND

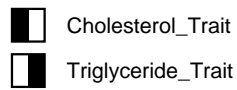
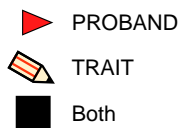
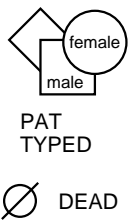
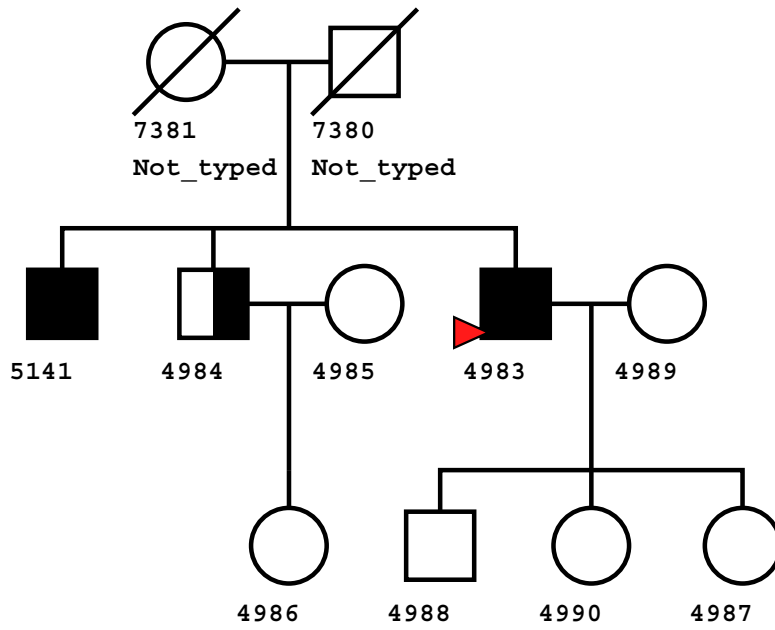
TRAIT

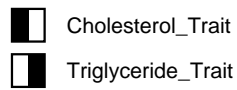
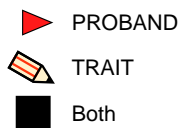
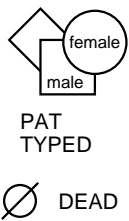
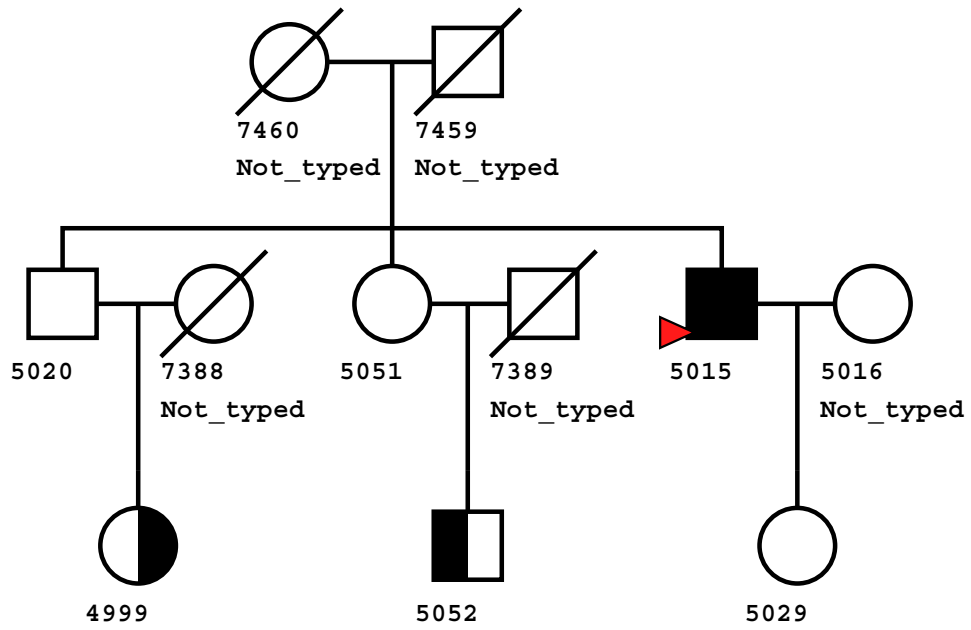
Both

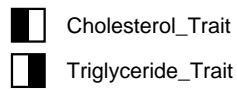
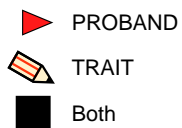
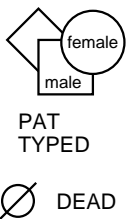
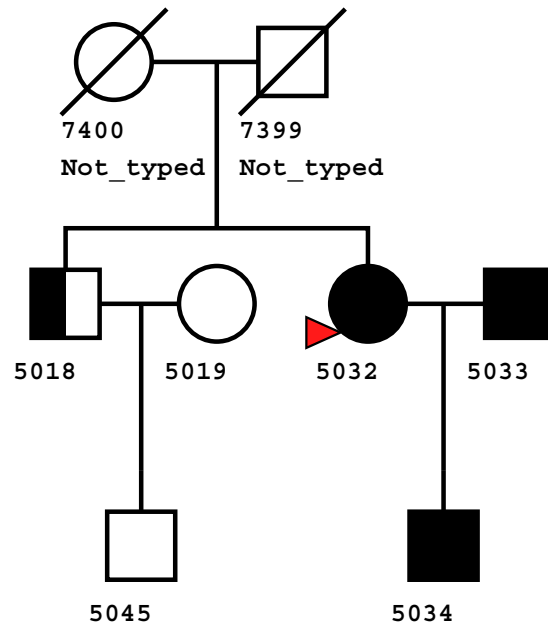
Cholesterol\_Trait

Triglyceride\_Trait

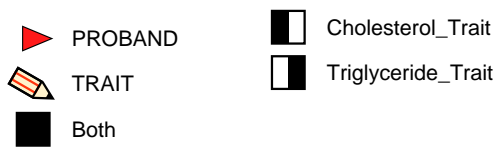
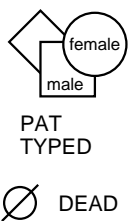
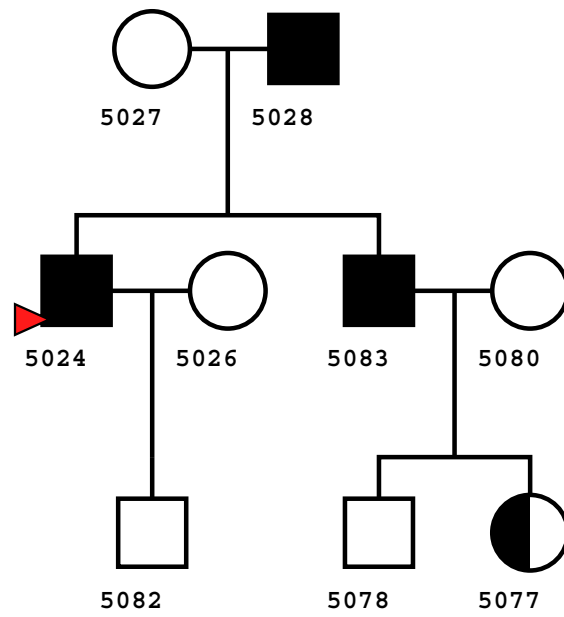


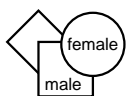
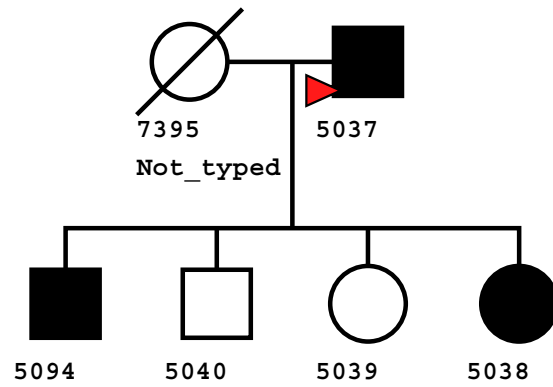




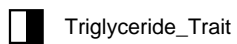


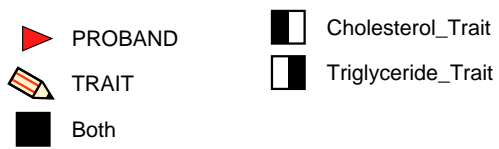
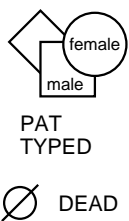
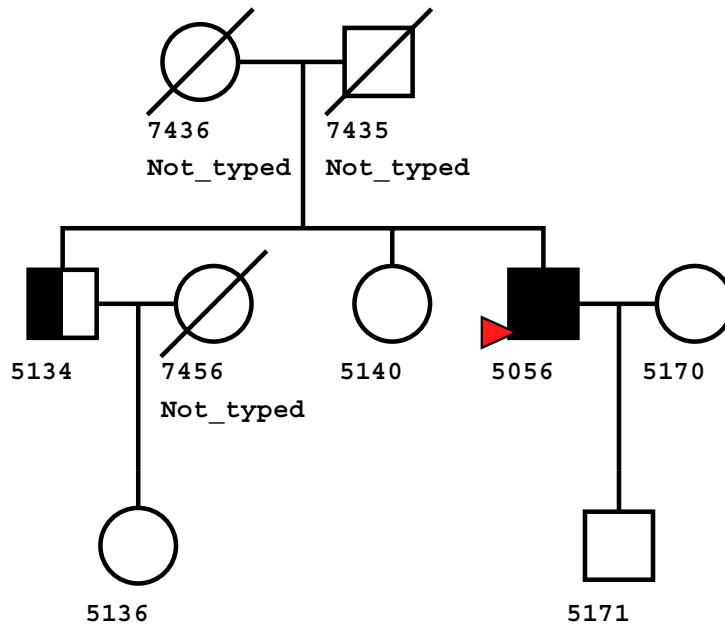


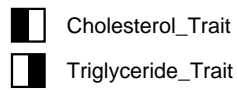
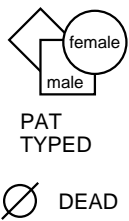
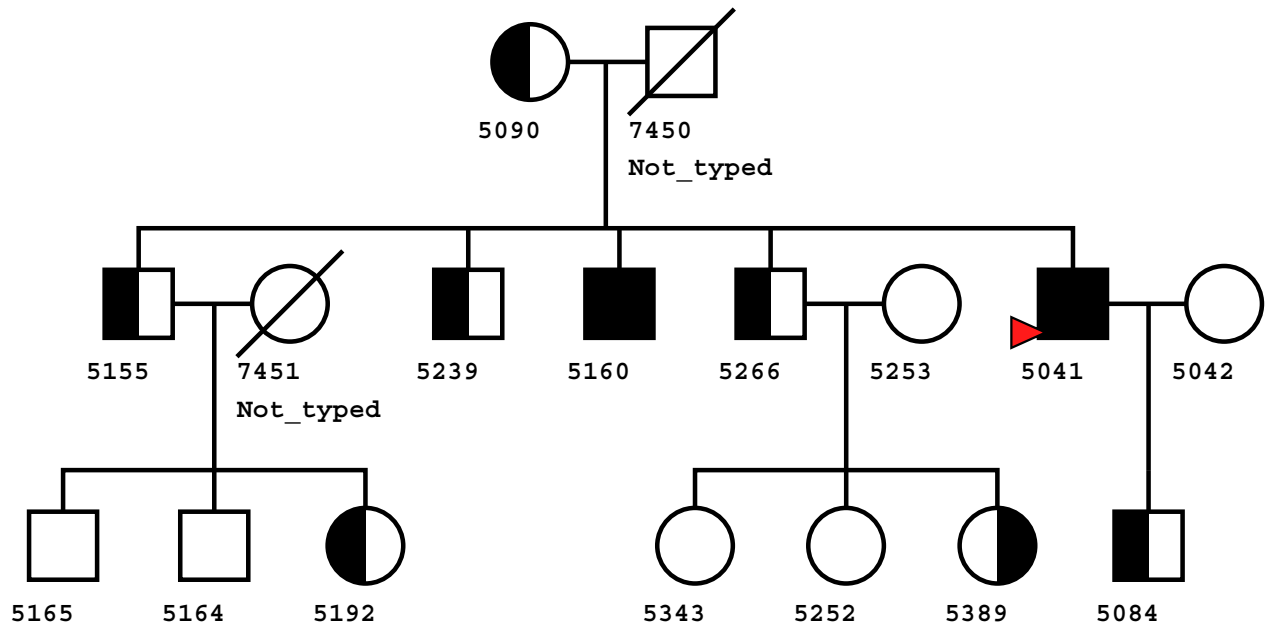


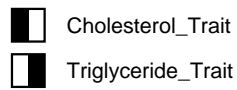
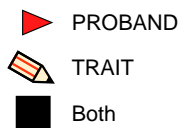
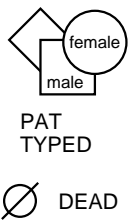
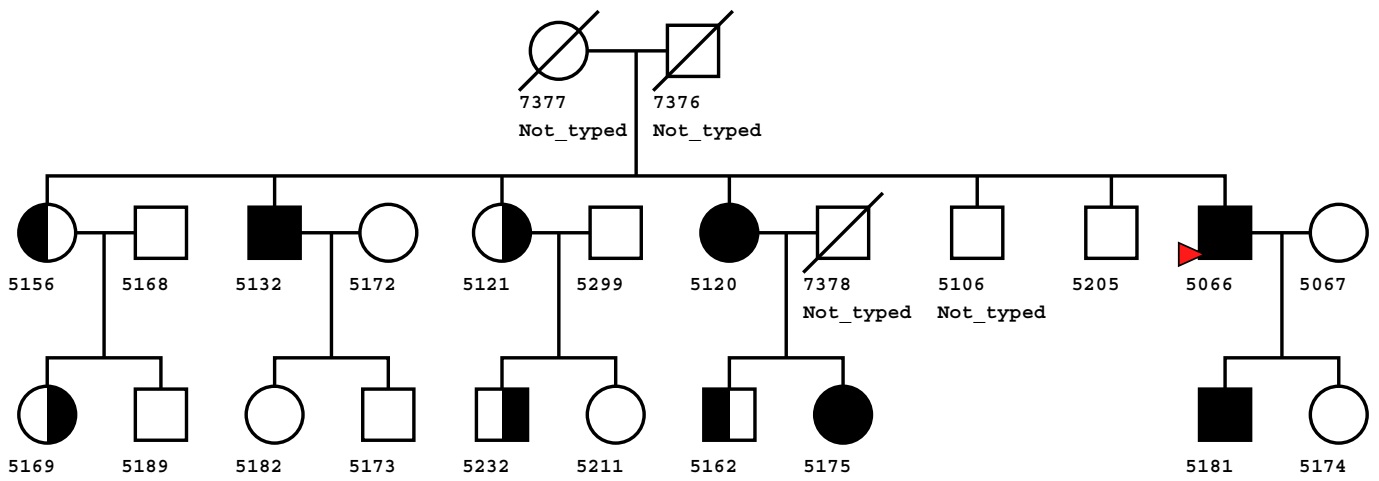


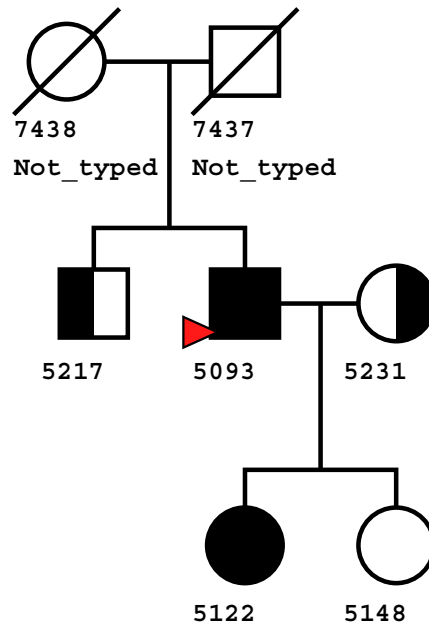
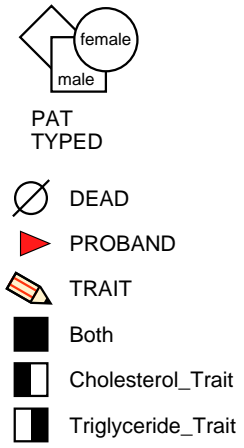
PAT  
TYPED

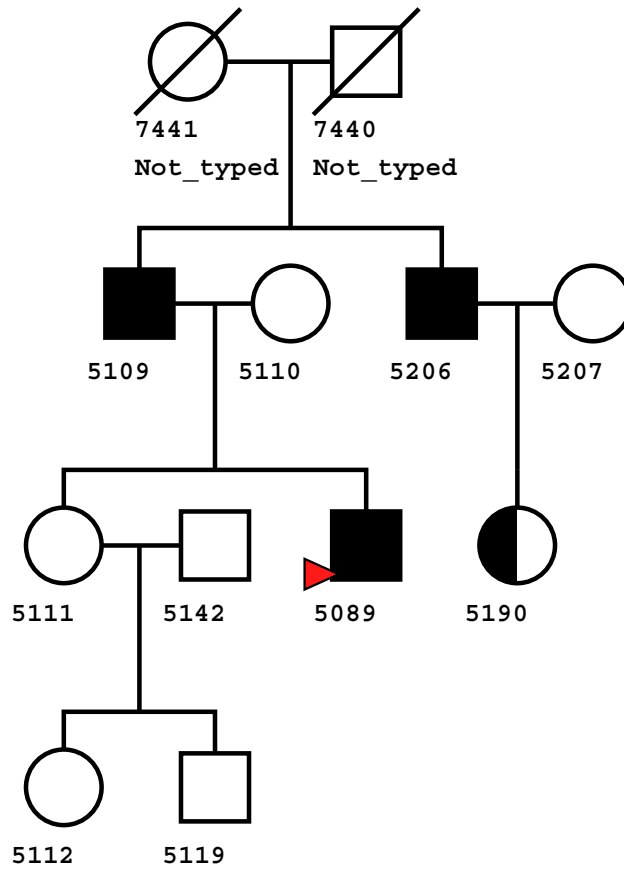
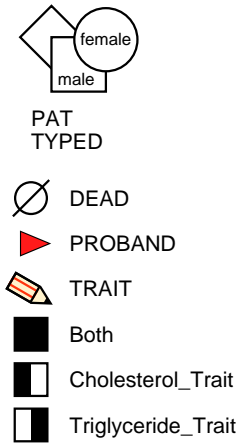


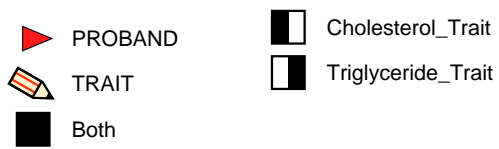
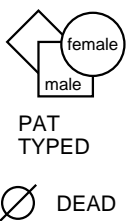
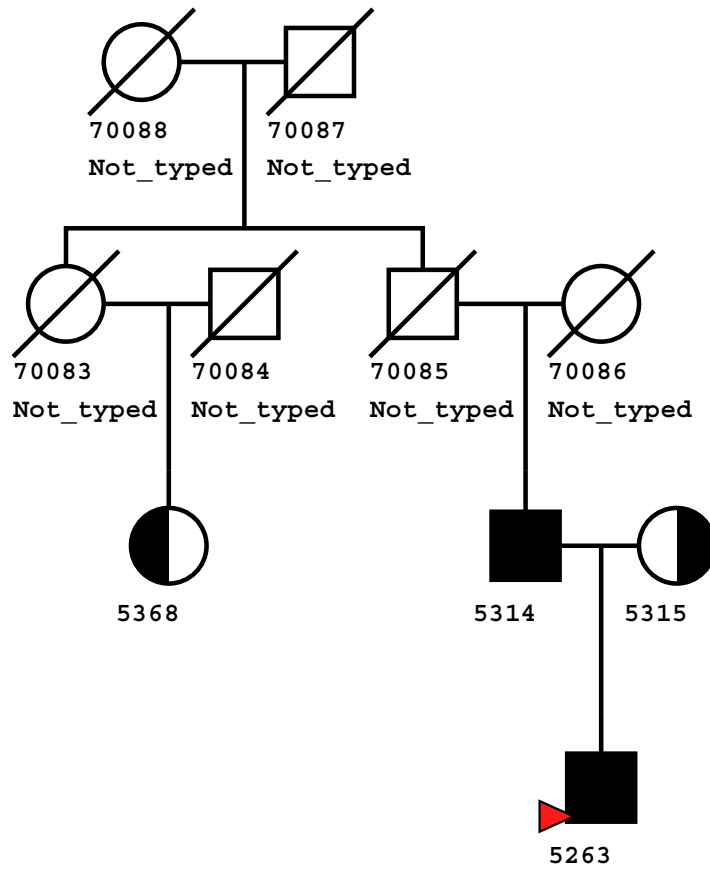




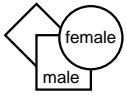












PAT  
TYPED



DEAD



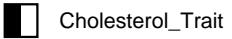
PROBAND



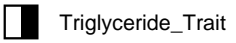
TRAIT



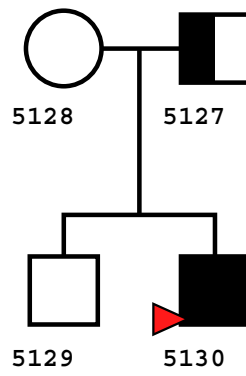
Both

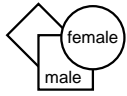


Cholesterol\_Trait

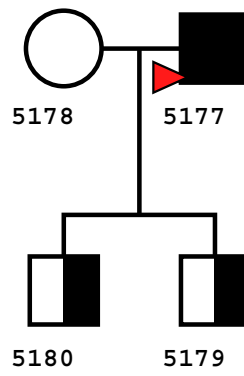
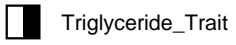


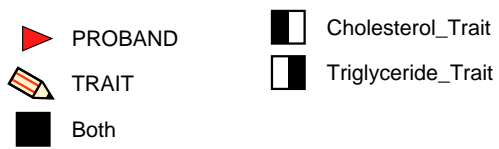
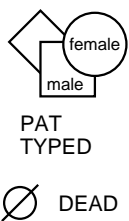
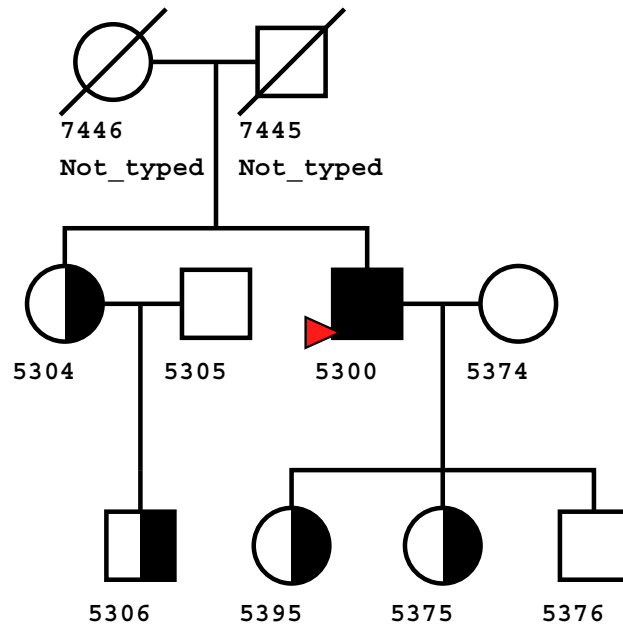
Triglyceride\_Trait

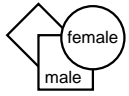




PAT  
TYPED







PAT  
TYPED

DEAD

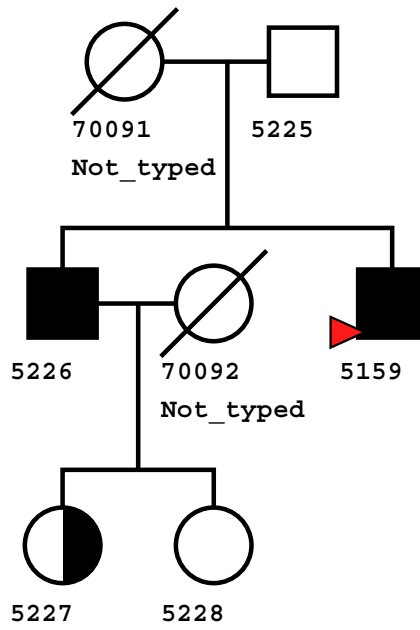
PROBAND

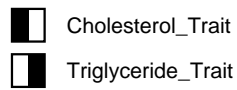
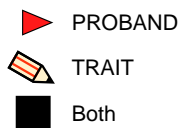
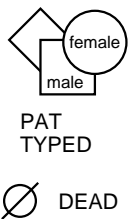
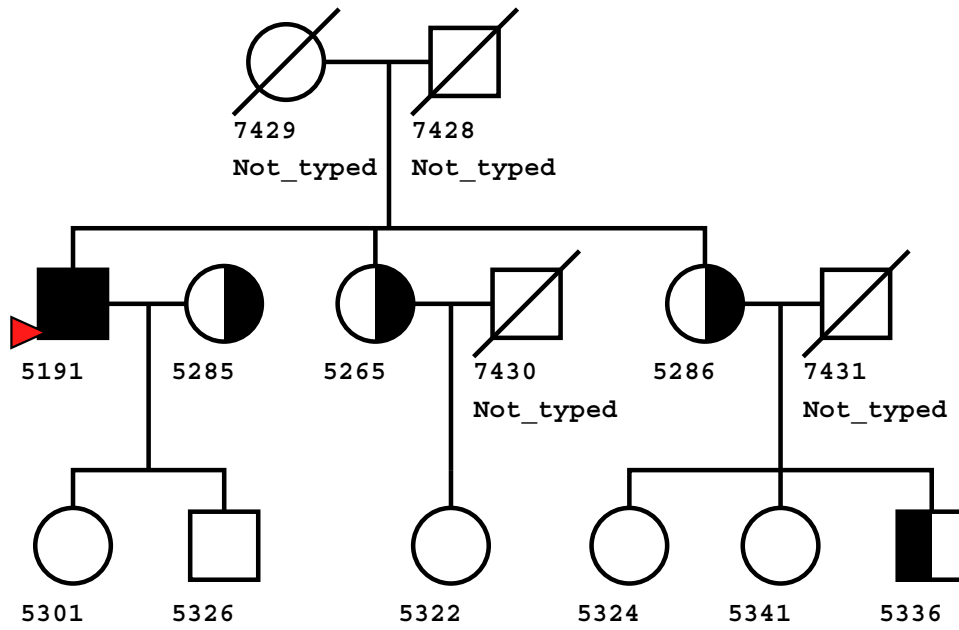
TRAIT

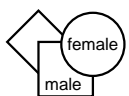
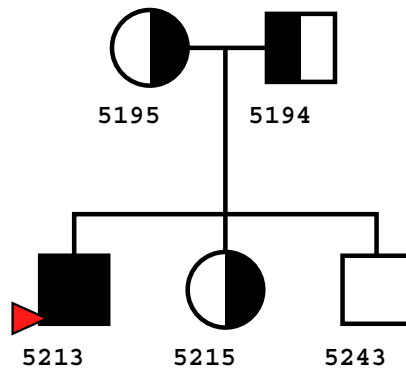
Both

Cholesterol\_Trait

Triglyceride\_Trait







PAT  
TYPED



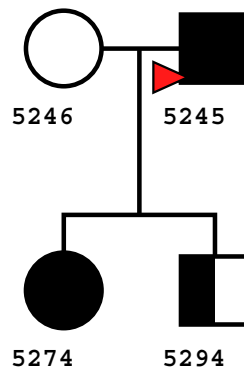
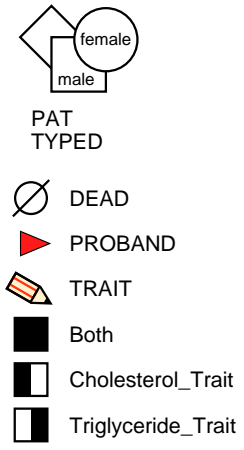
PROBAND

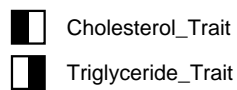
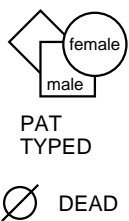
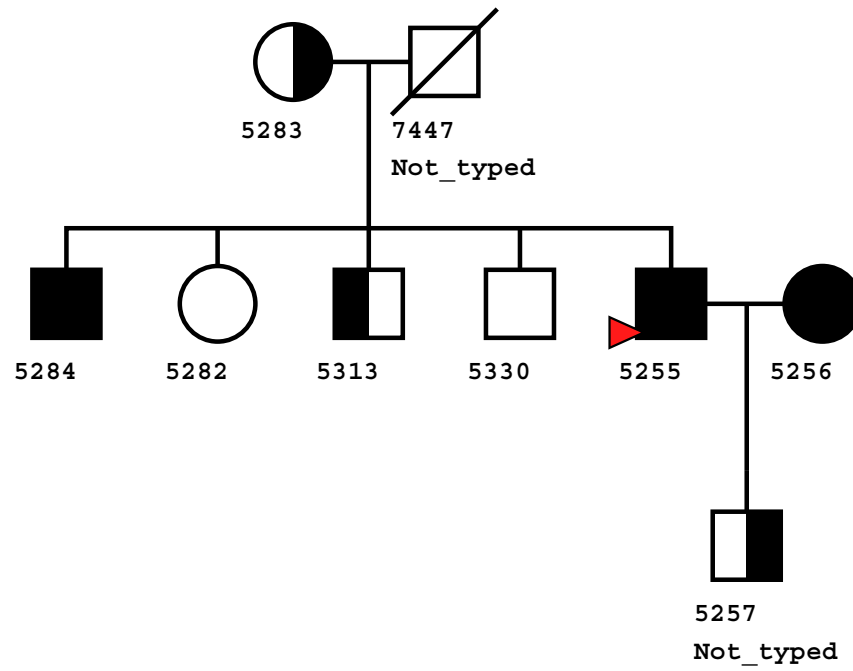
TRAIT

Both

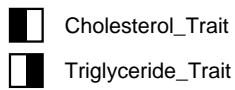
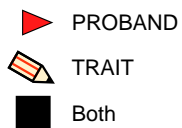
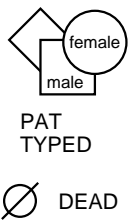
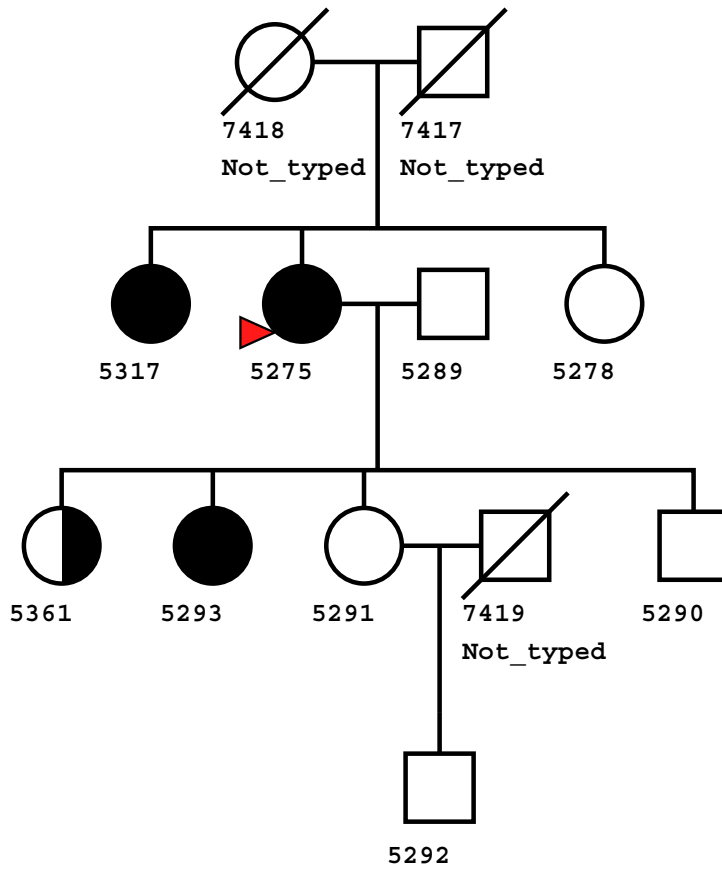
Cholesterol\_Trait

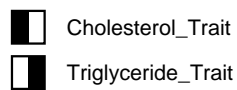
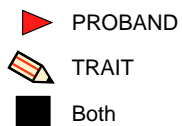
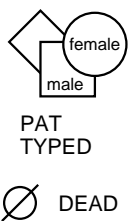
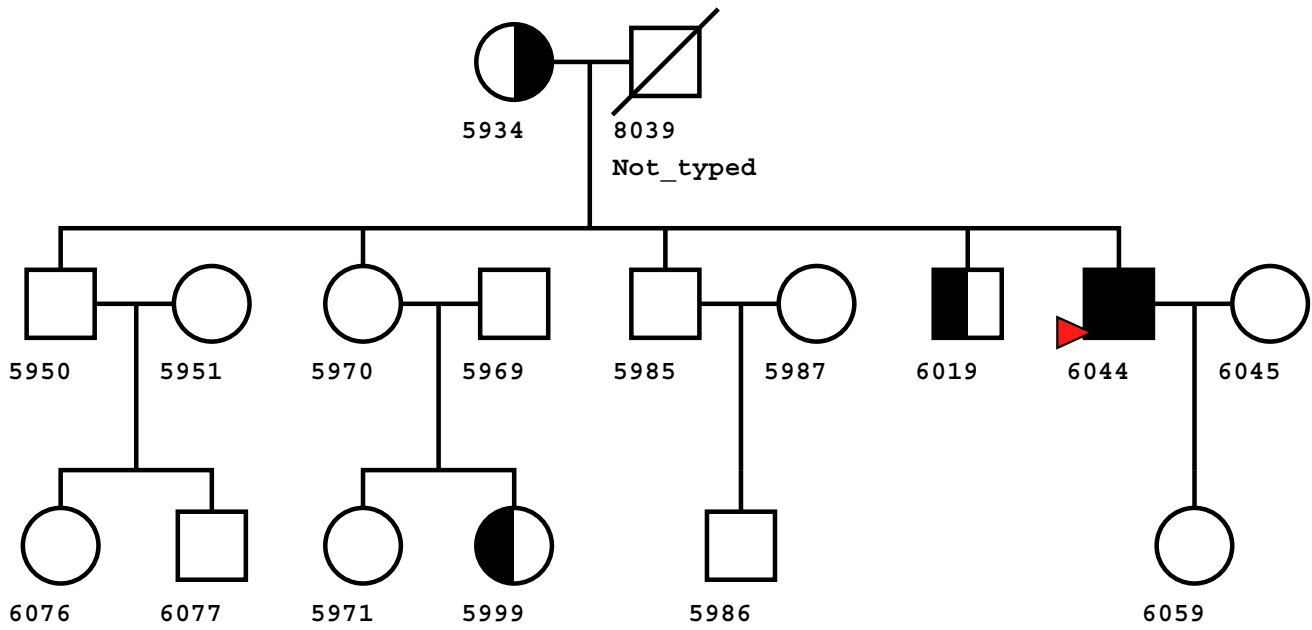
Triglyceride\_Trait

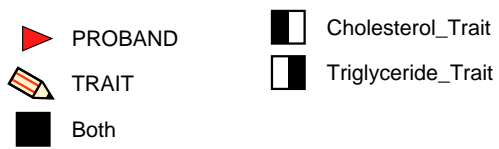
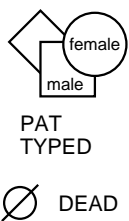
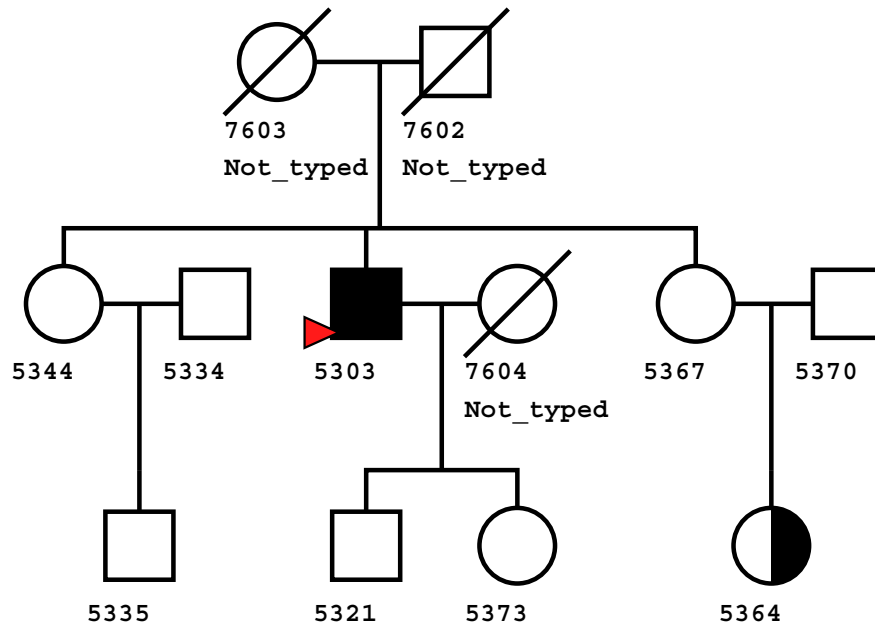


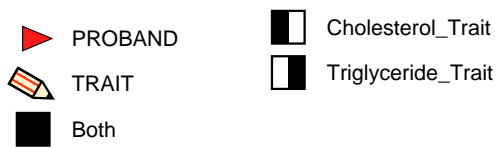
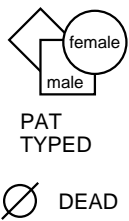
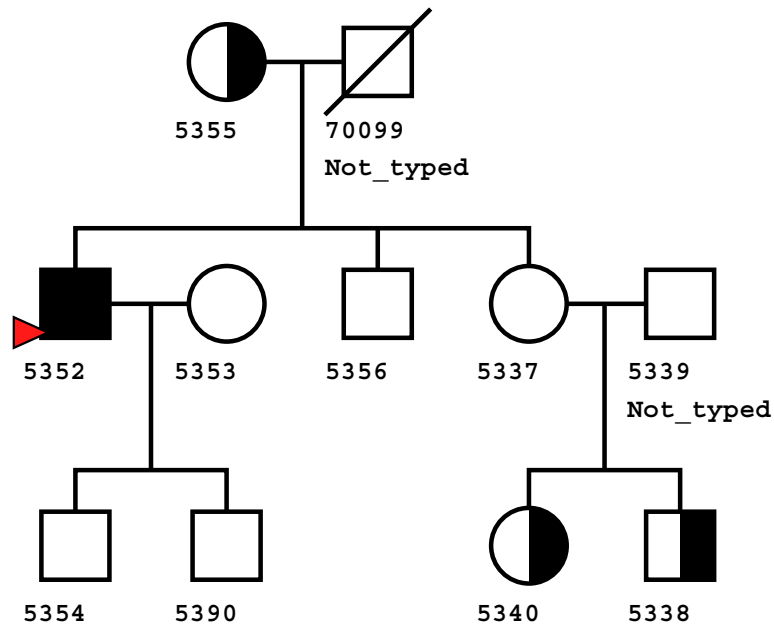


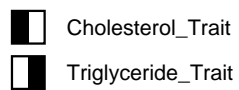
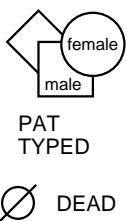
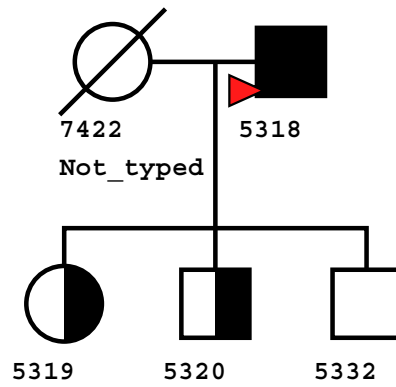


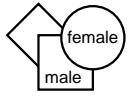












PAT  
TYPED



DEAD



PROBAND



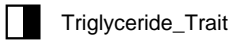
TRAIT



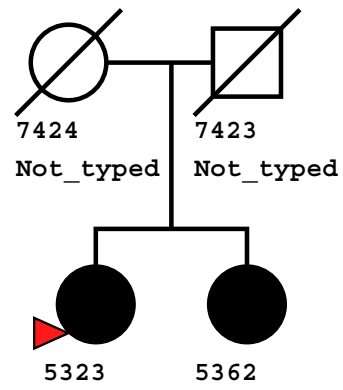
Both

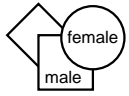


Cholesterol\_Trait



Triglyceride\_Trait





PAT  
TYPED



DEAD



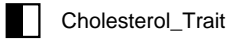
PROBAND



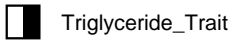
TRAIT



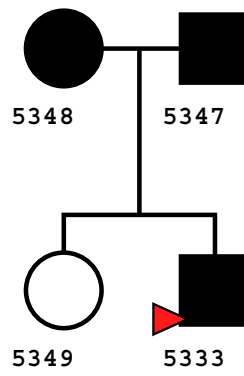
Both

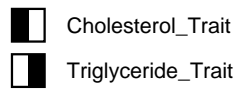
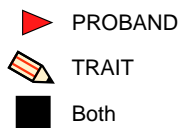
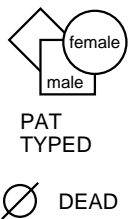
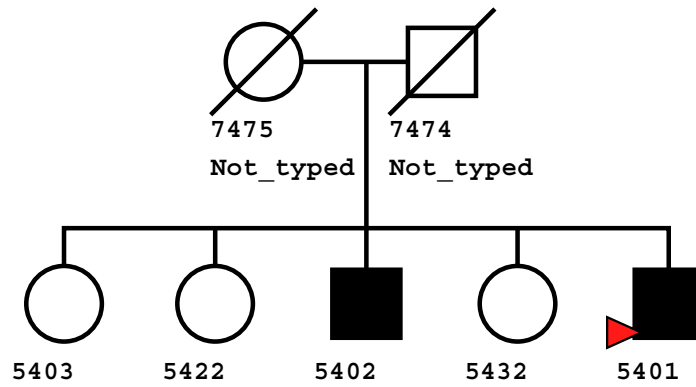


Cholesterol\_Trait

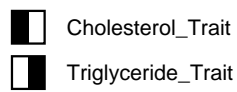
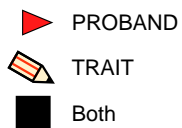
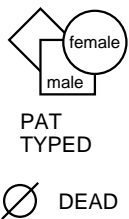
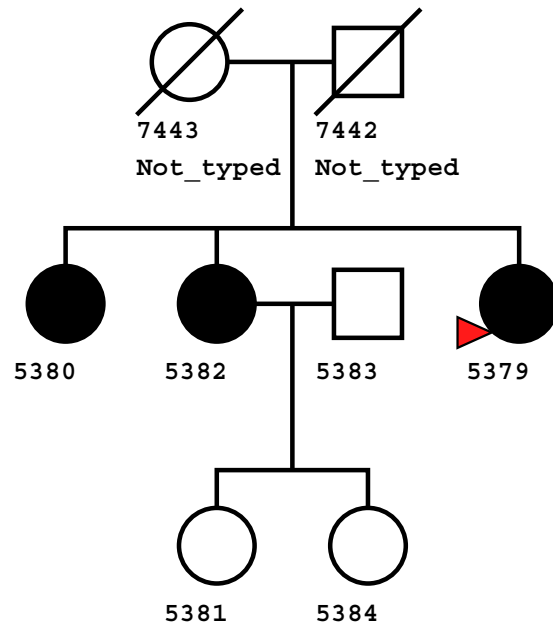


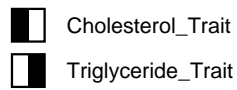
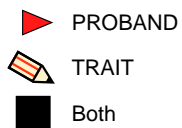
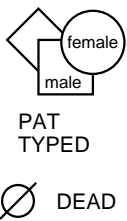
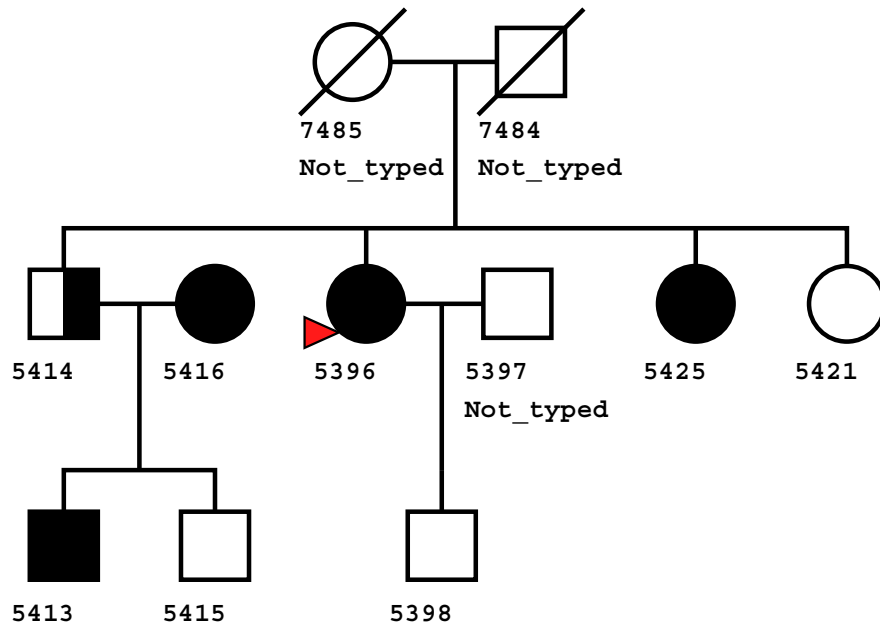
Triglyceride\_Trait

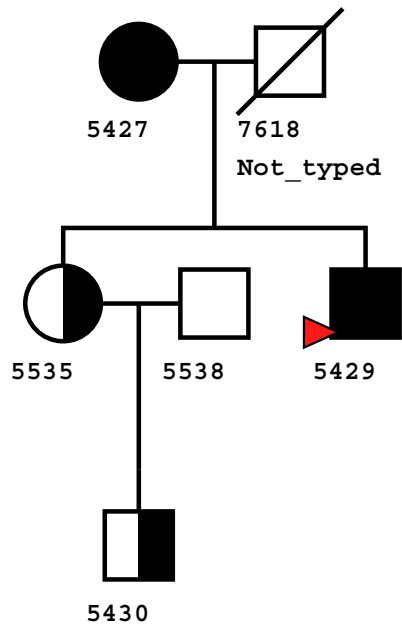
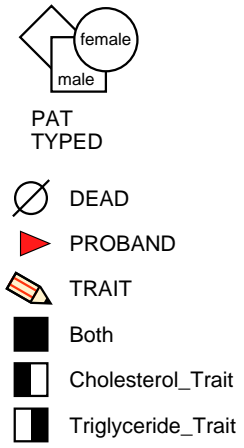


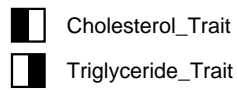
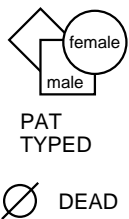
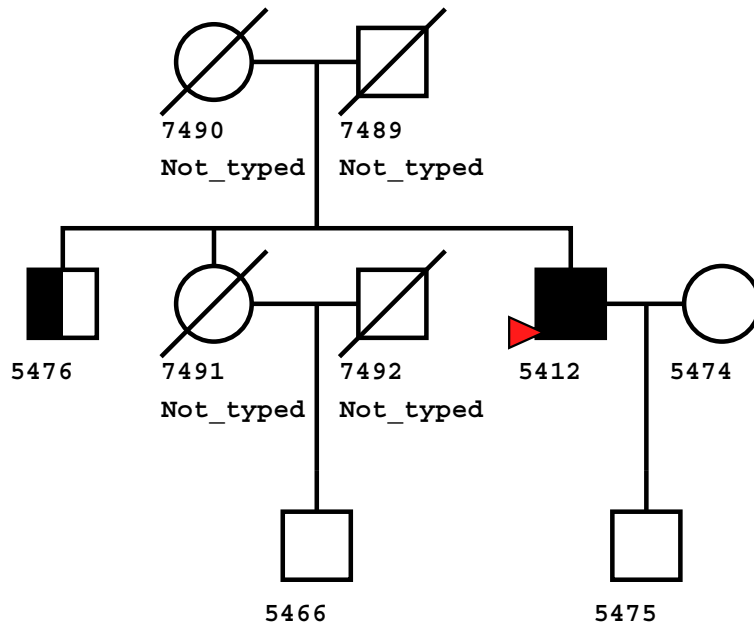


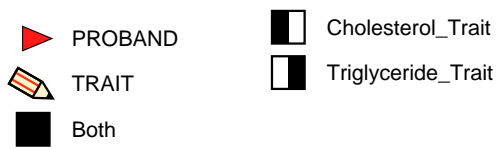
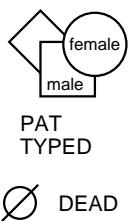
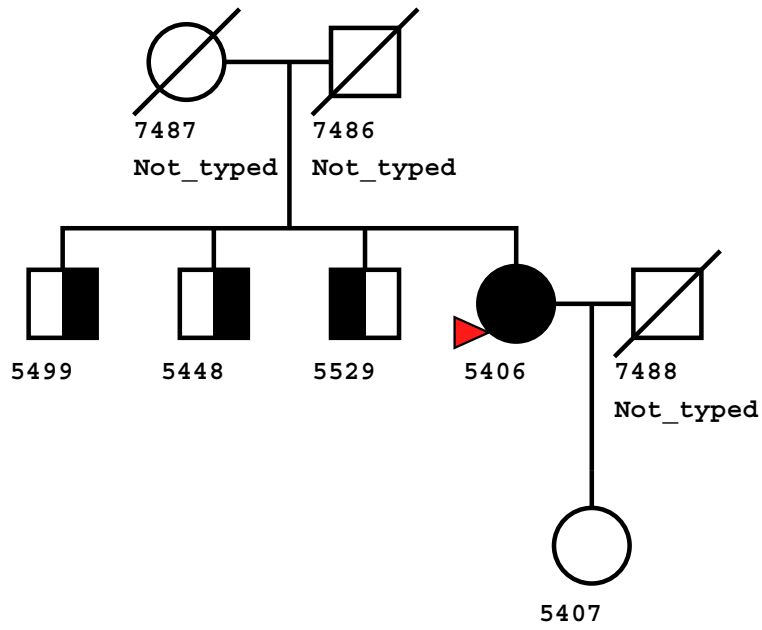


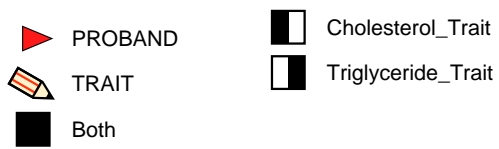
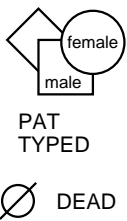
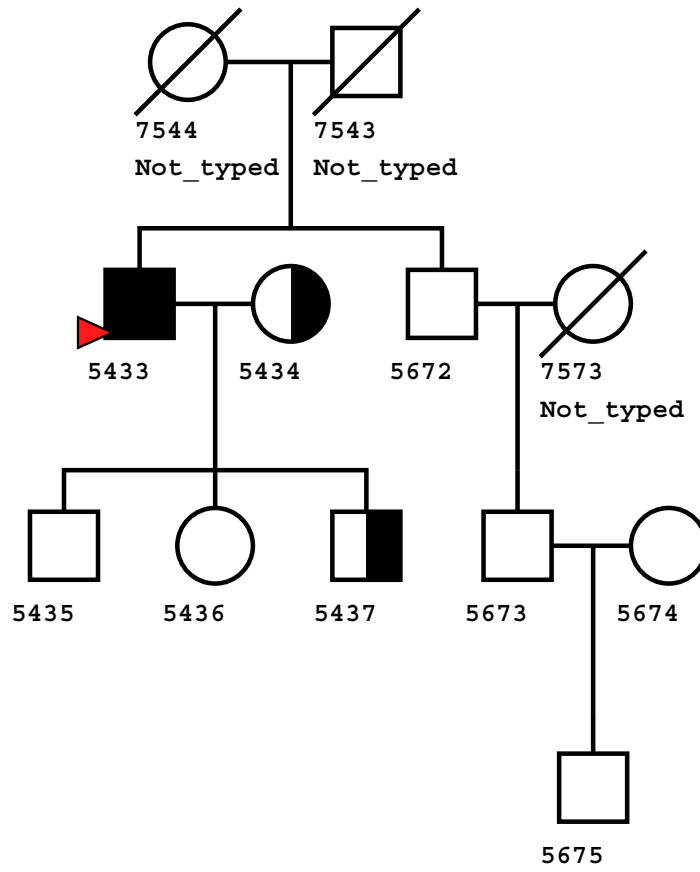


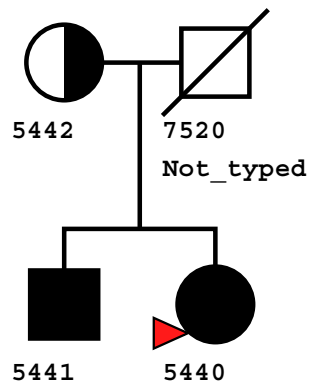
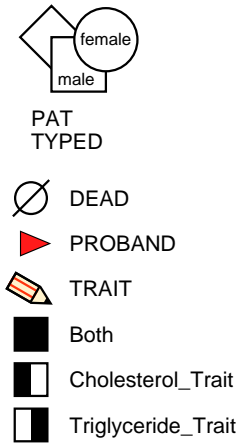


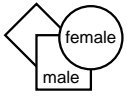




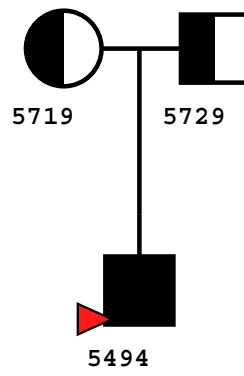
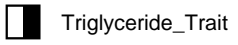




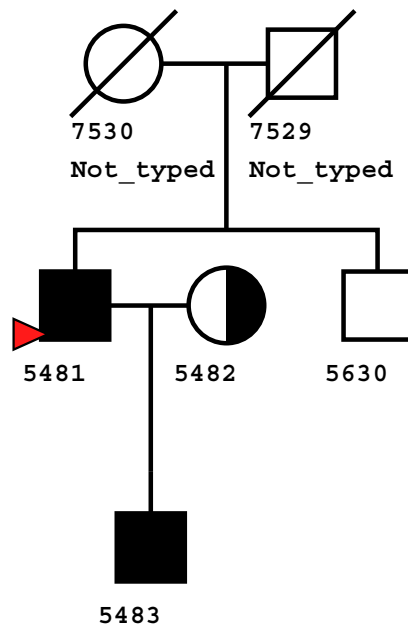
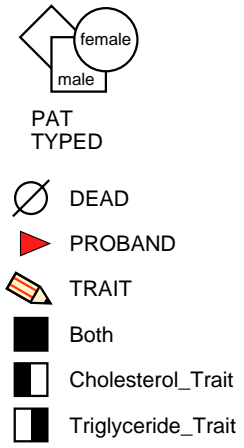


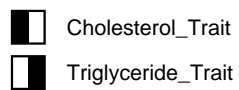
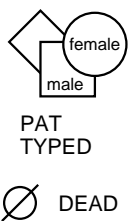
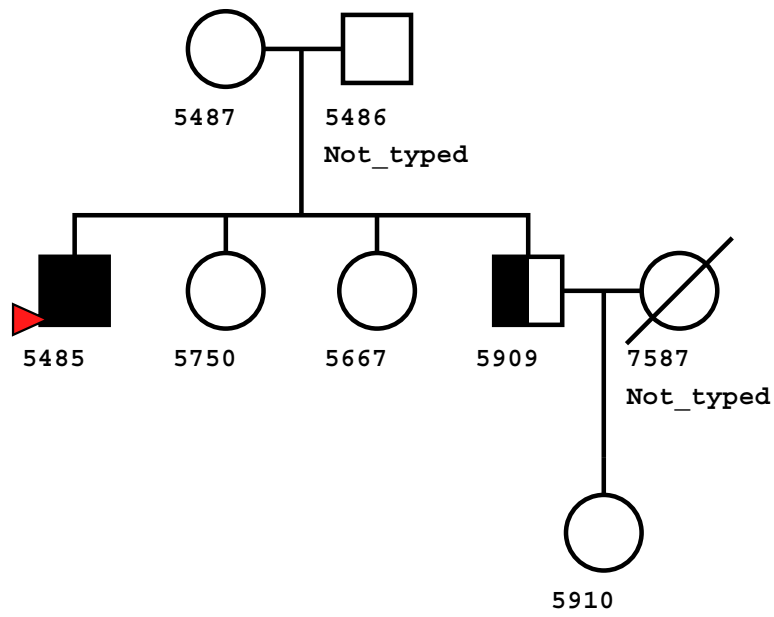


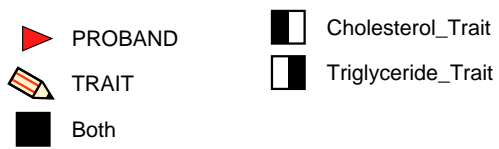
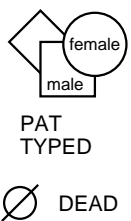
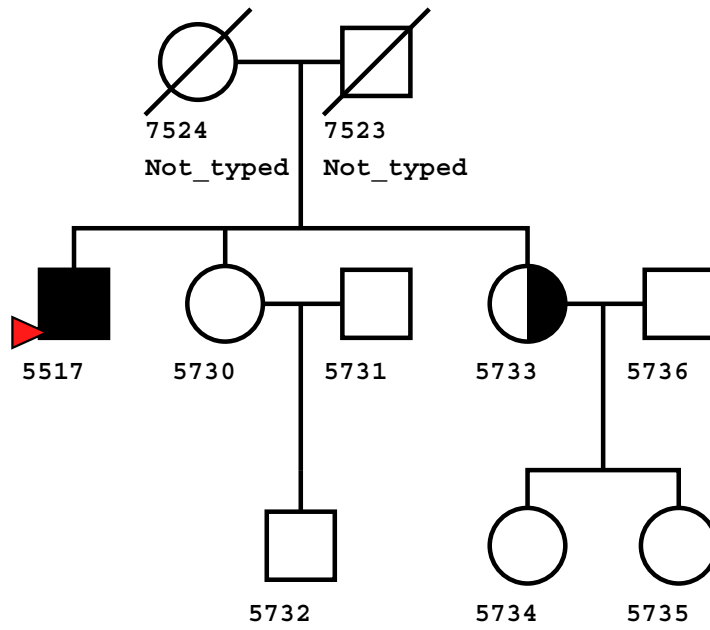
PAT  
TYPED

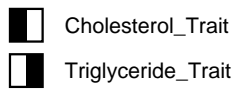
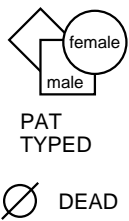
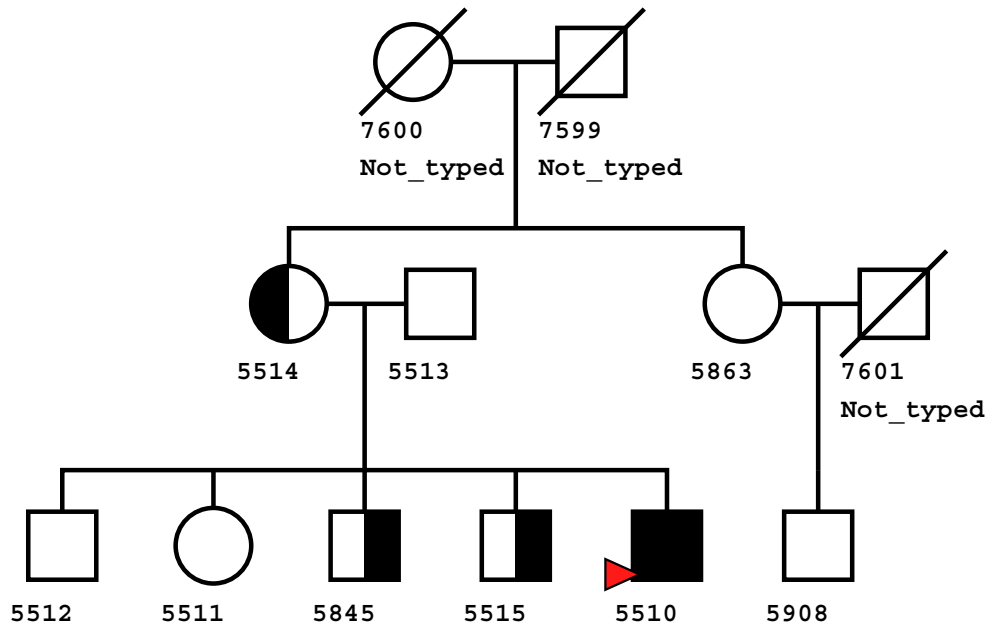


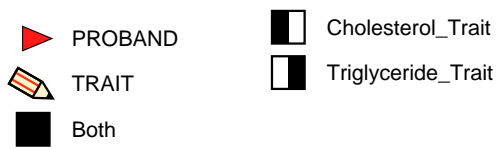
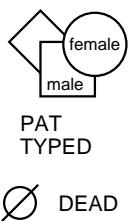
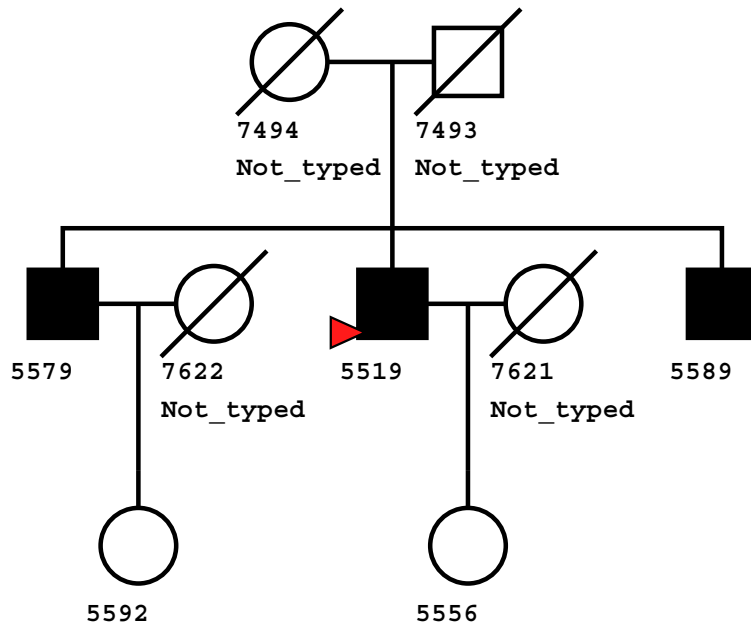


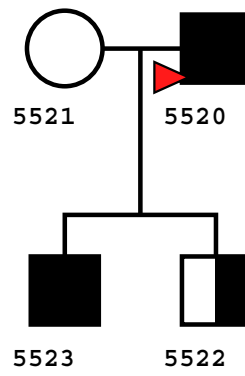
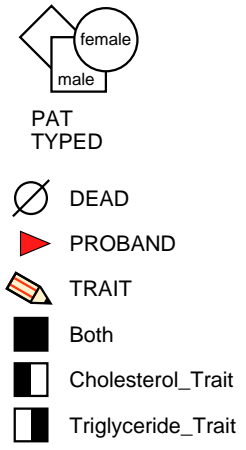


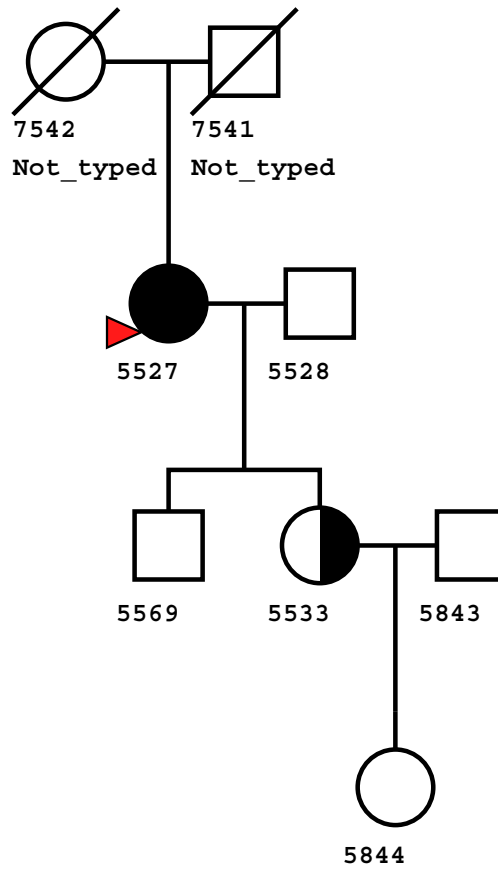
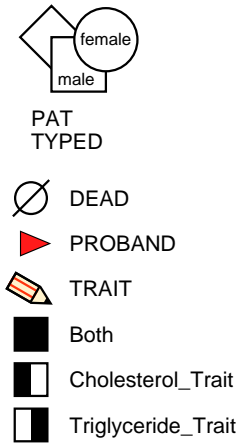


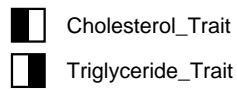
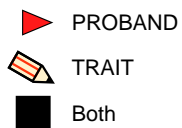
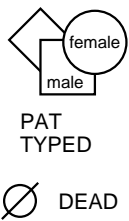
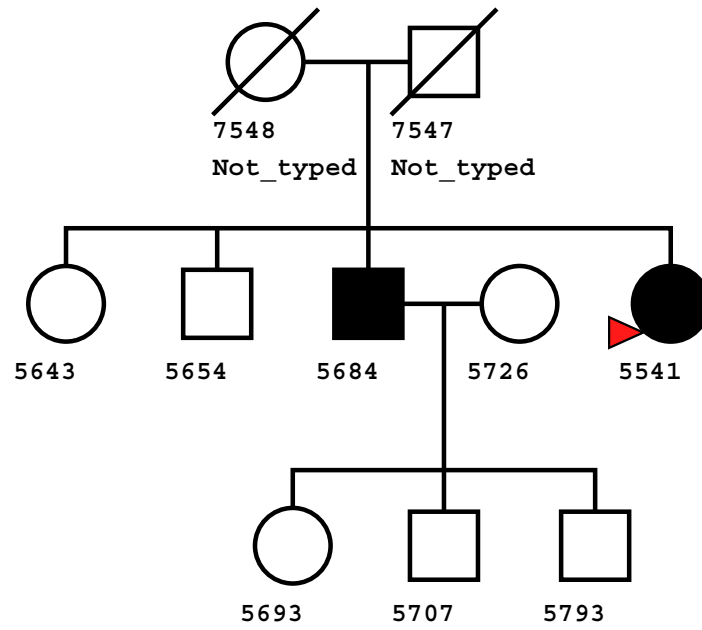






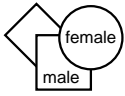








11 individuals



PAT  
TYPED

DEAD

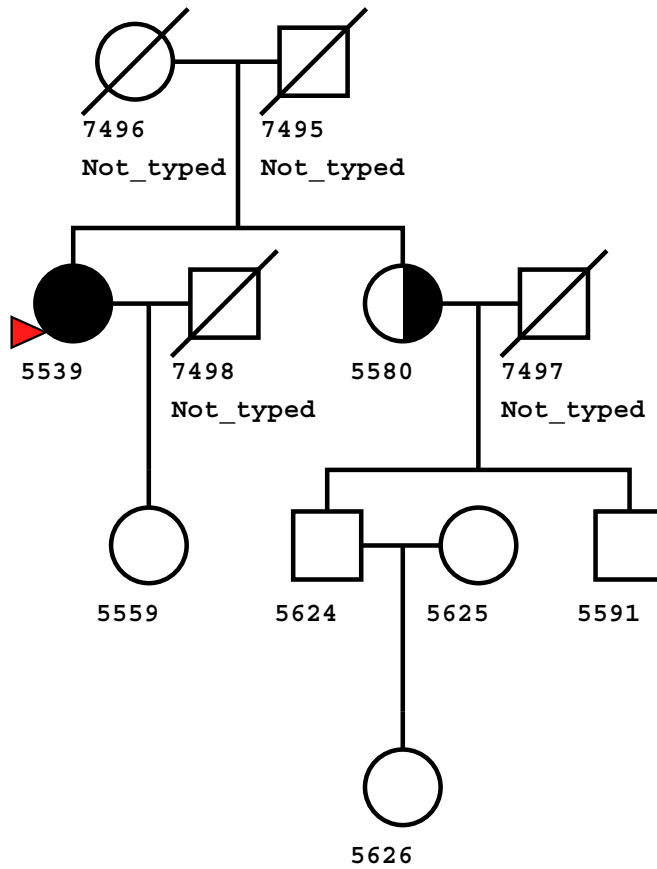
PROBAND

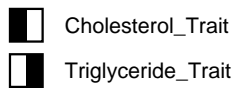
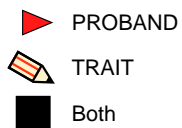
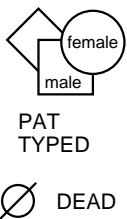
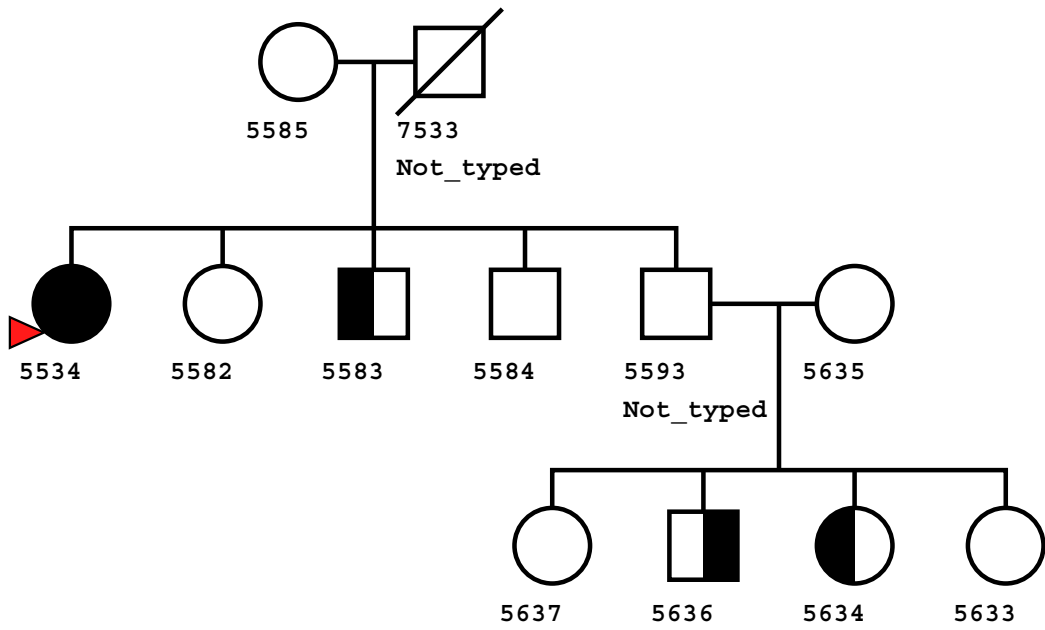
TRAIT

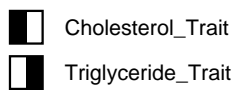
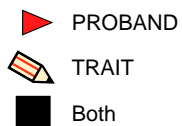
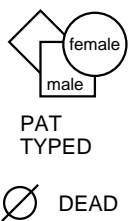
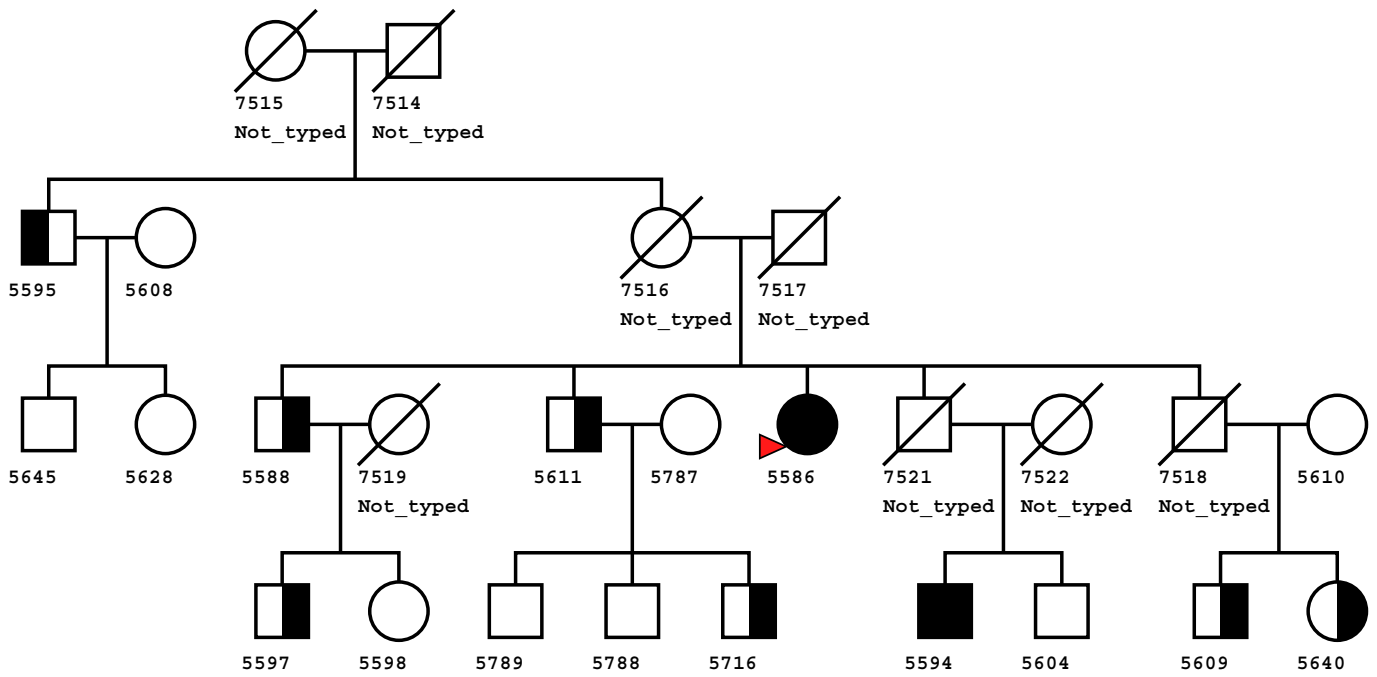
Both

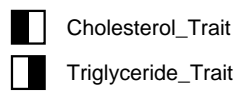
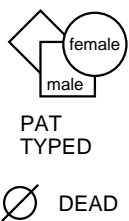
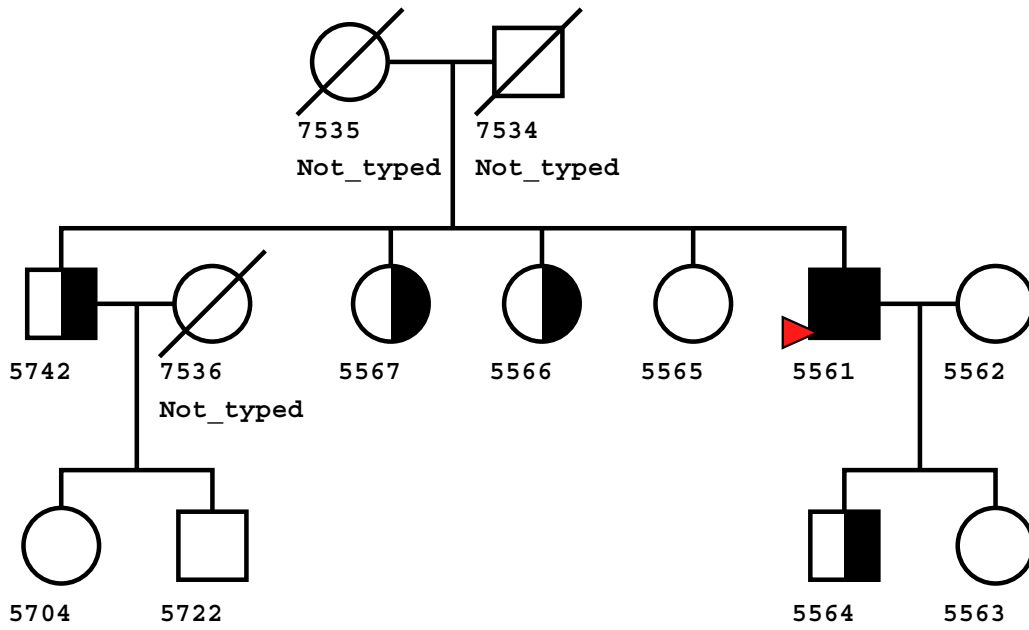
Cholesterol\_Trait

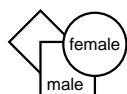
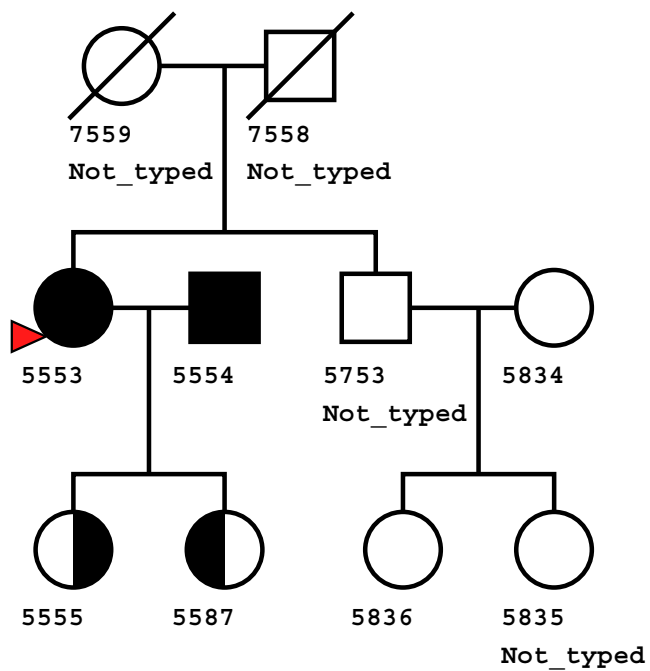
Triglyceride\_Trait











PAT  
TYPED

DEAD

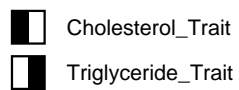
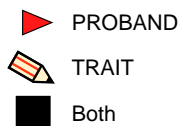
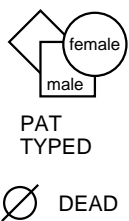
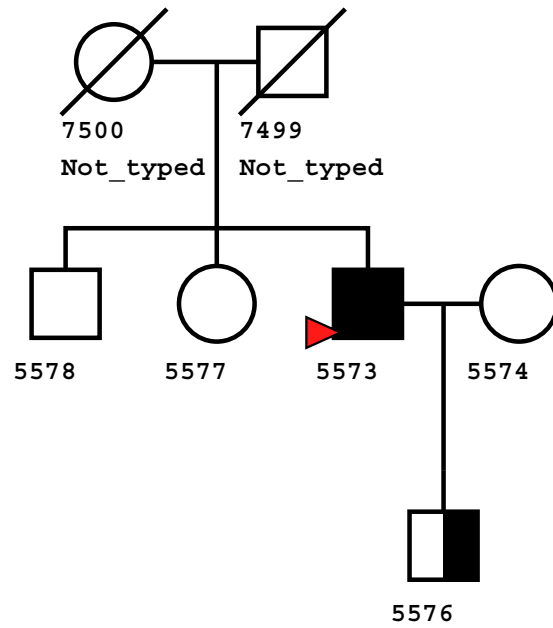
PROBAND

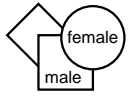
TRAIT

Both

Cholesterol\_Trait

Triglyceride\_Trait





PAT  
TYPED

DEAD

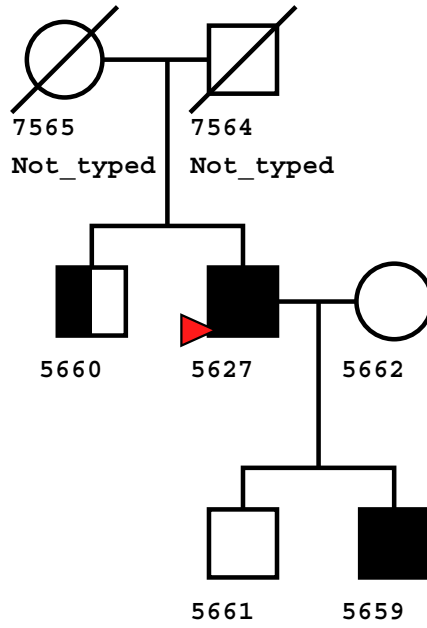
PROBAND

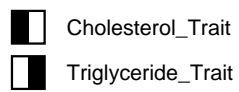
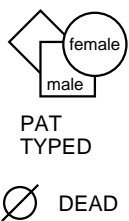
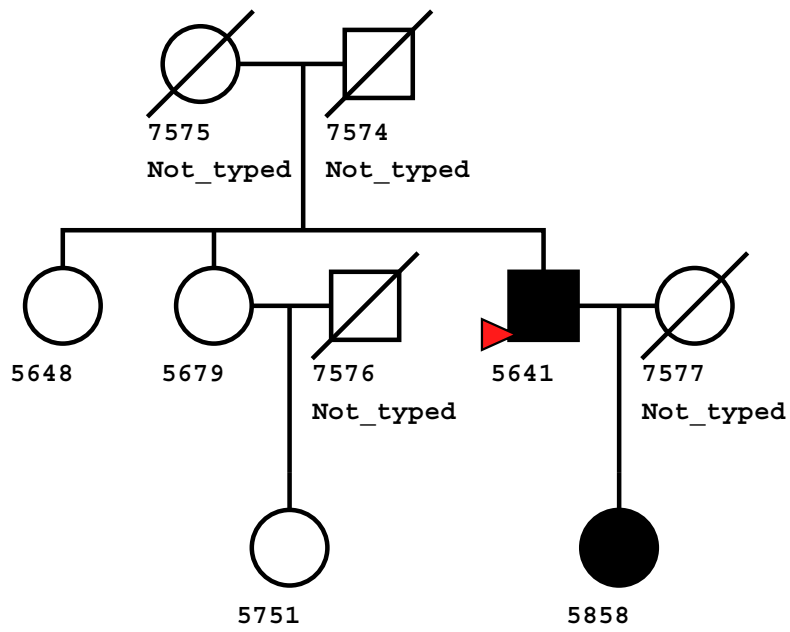
TRAIT

Both

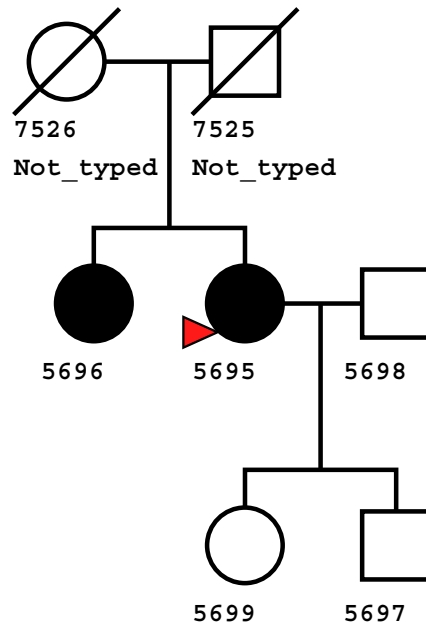
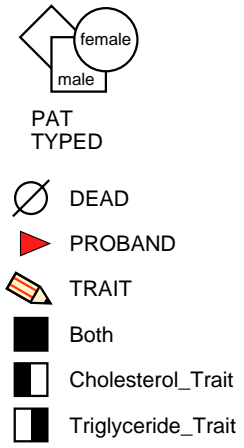
Cholesterol\_Trait

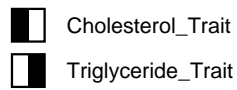
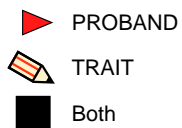
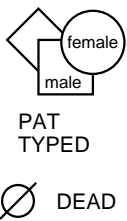
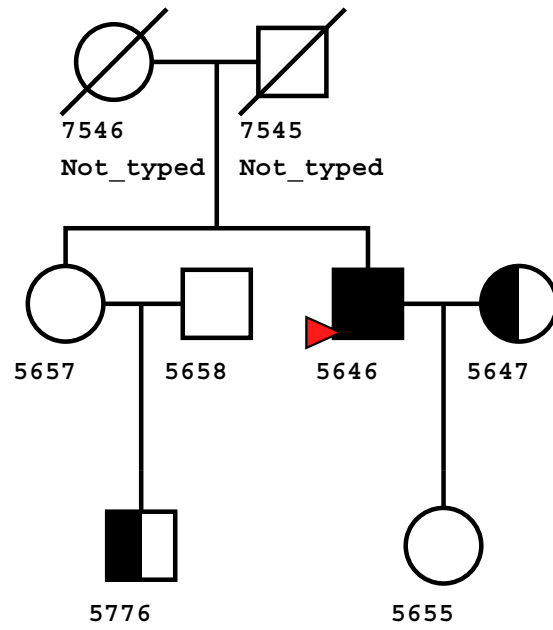
Triglyceride\_Trait

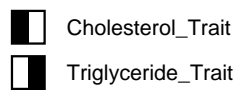
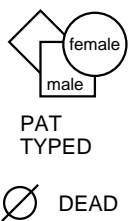
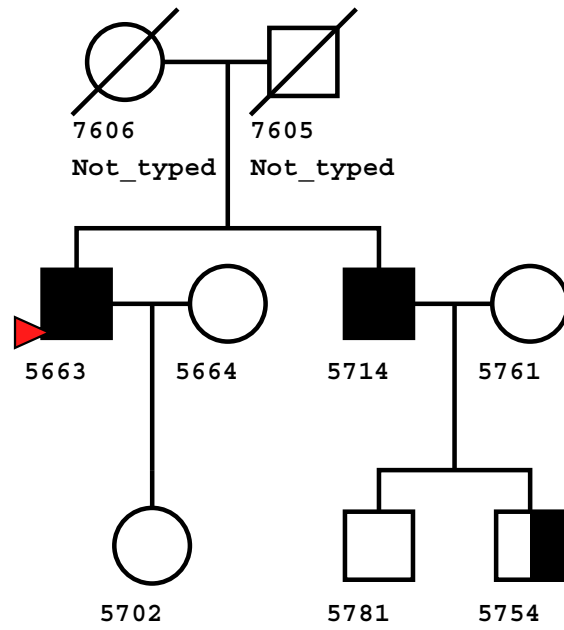


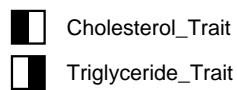
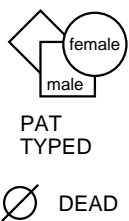
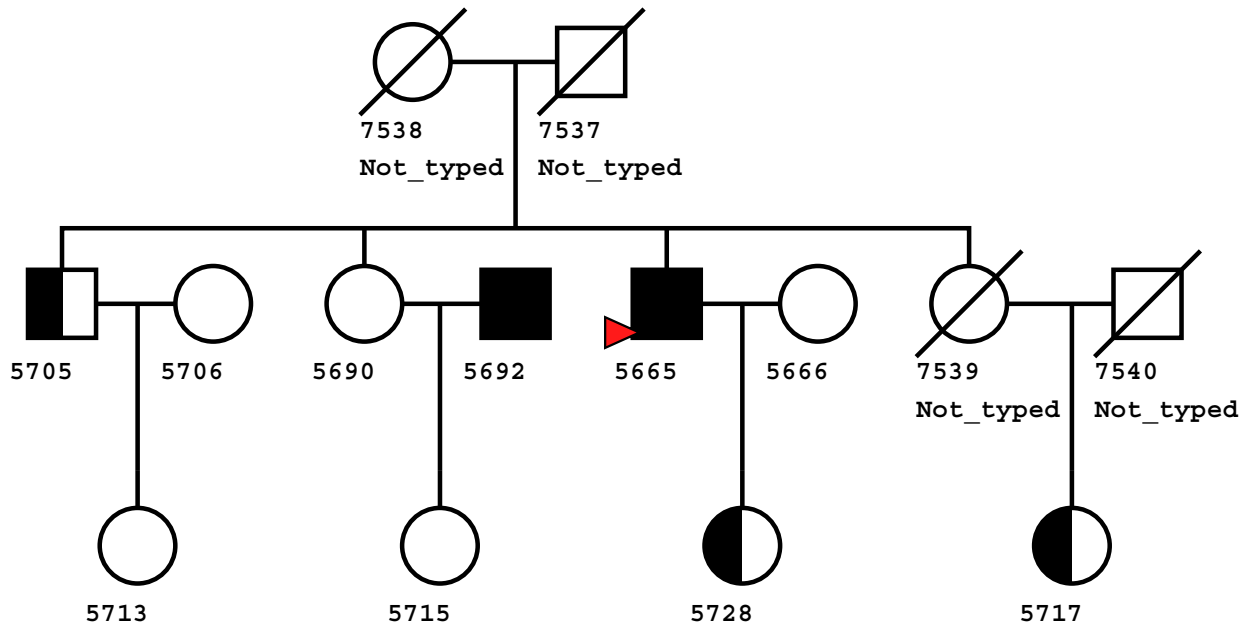


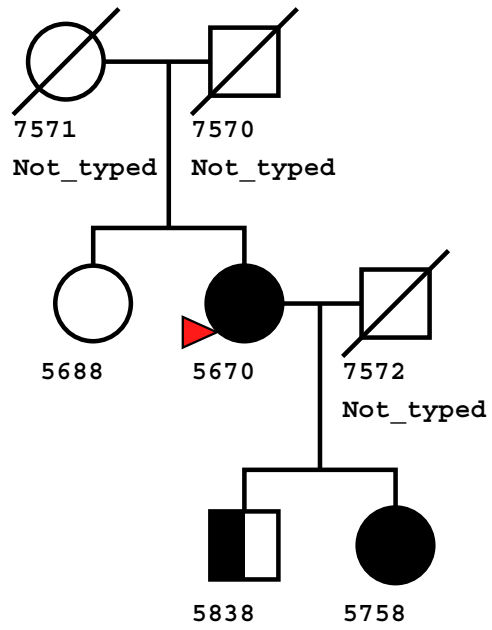
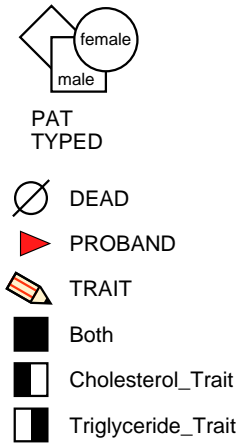


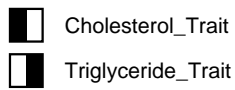
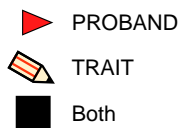
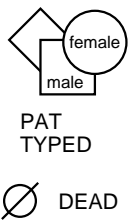
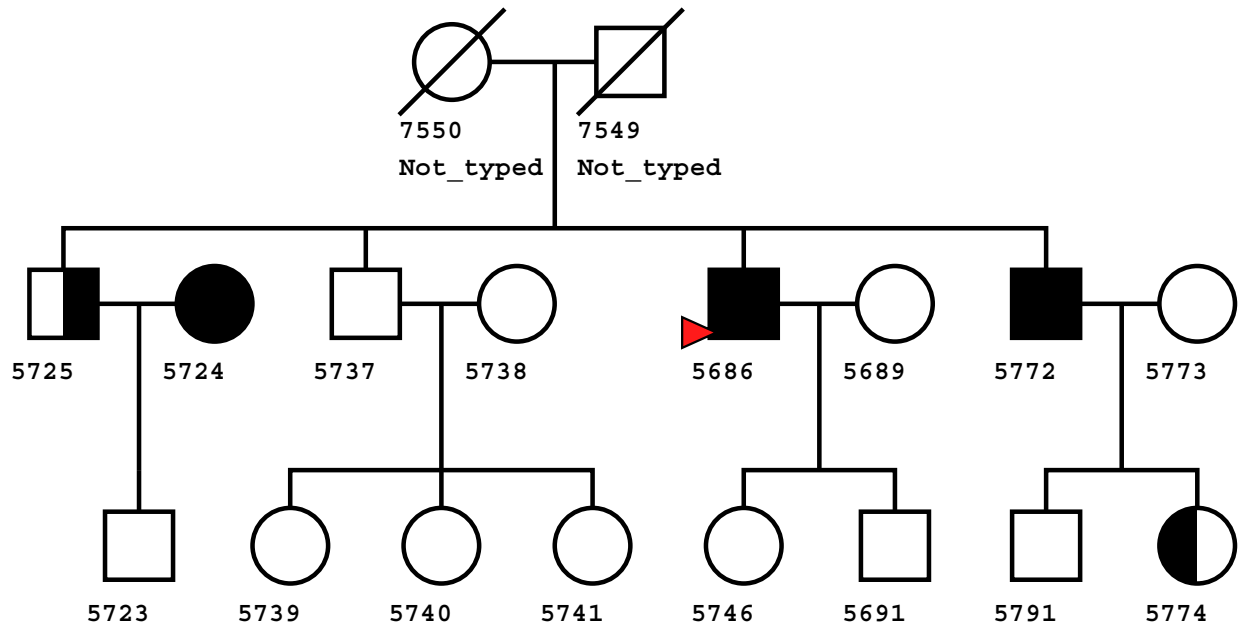


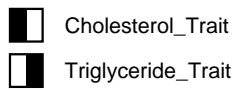
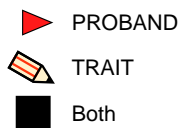
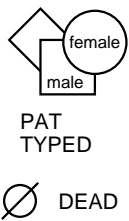
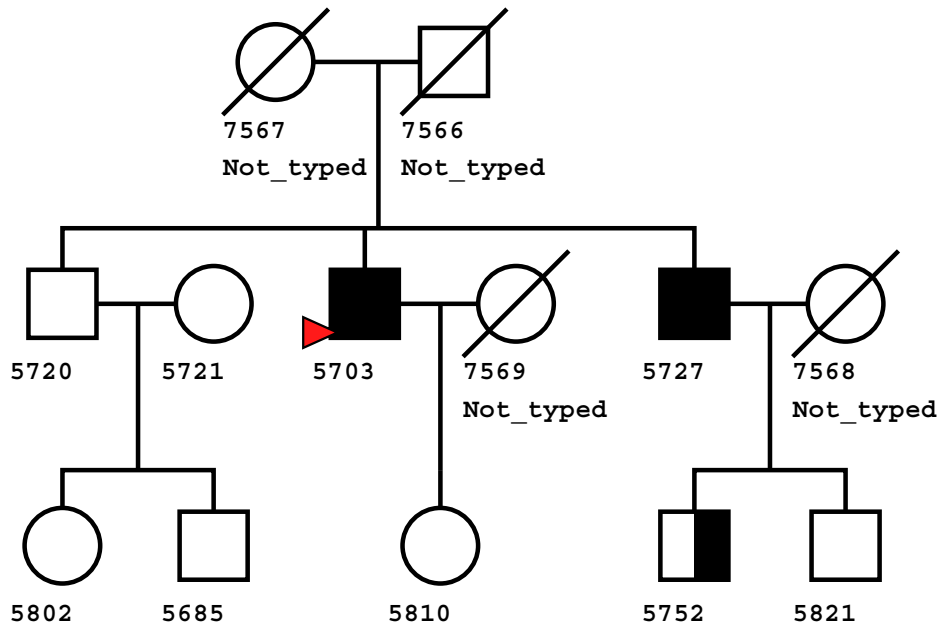


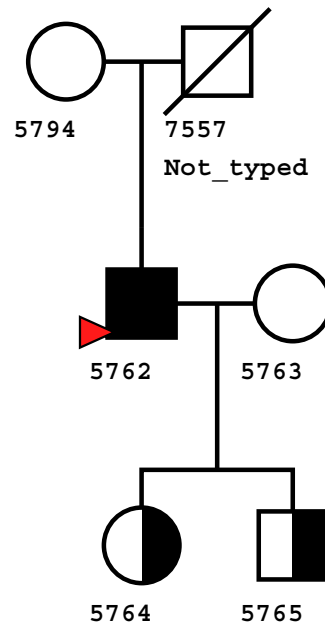
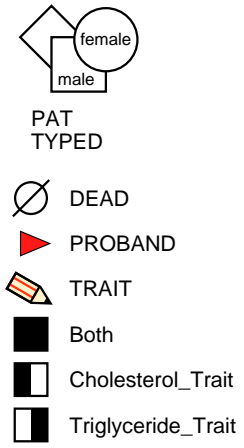




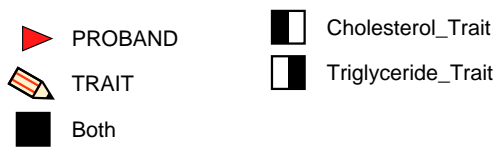
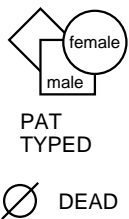
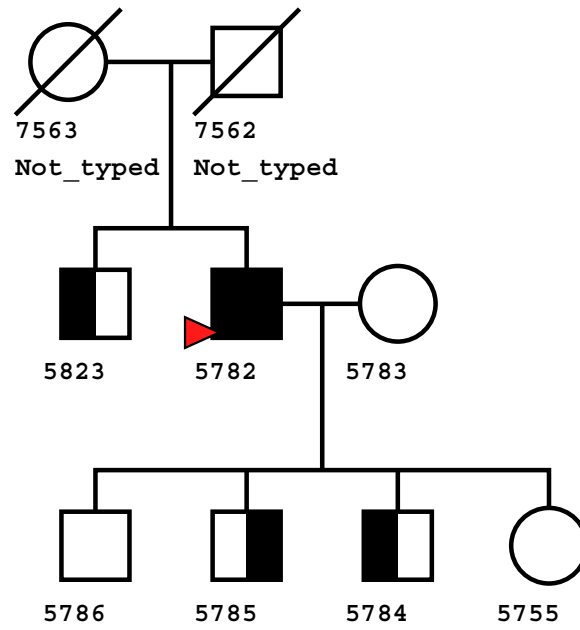


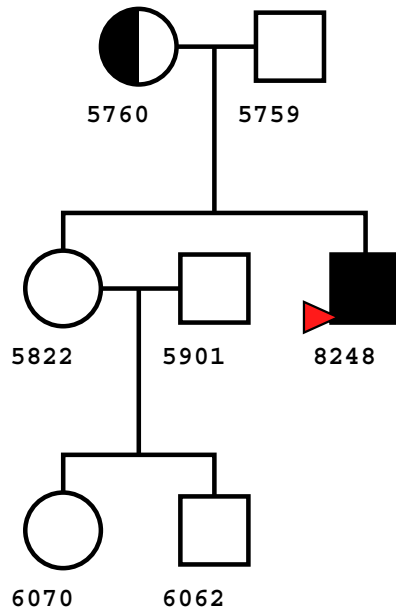
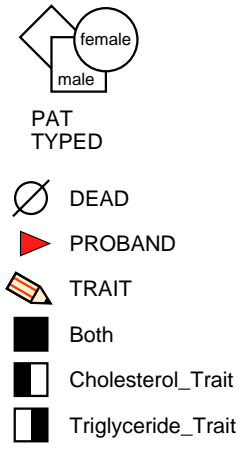


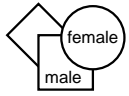




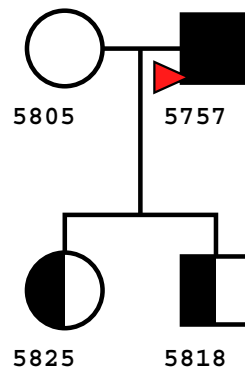
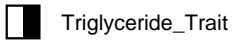


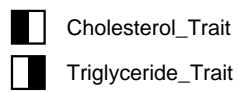
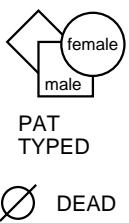
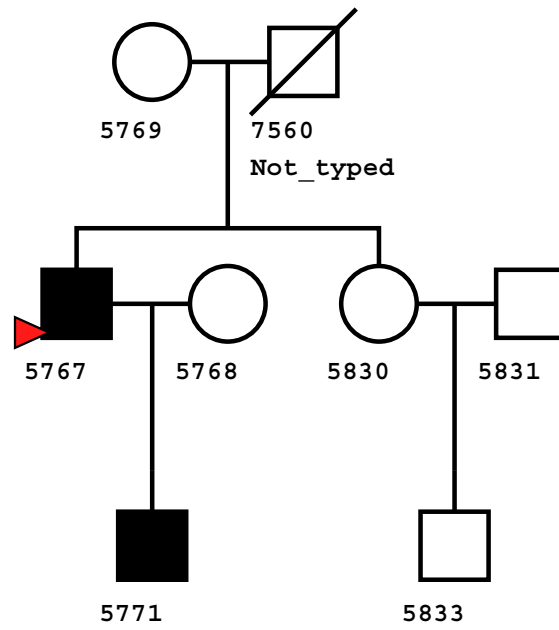


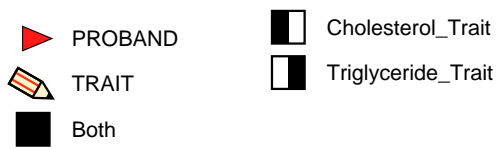
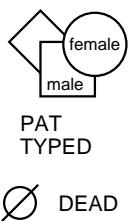
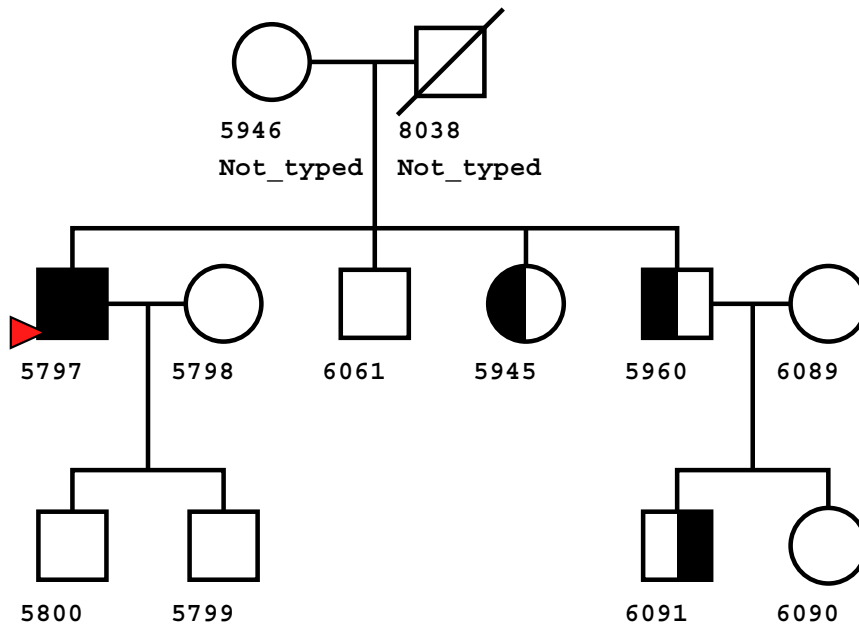


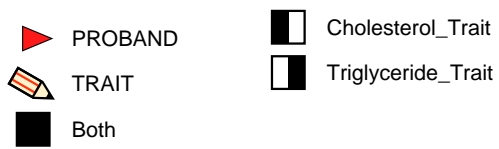
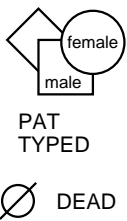
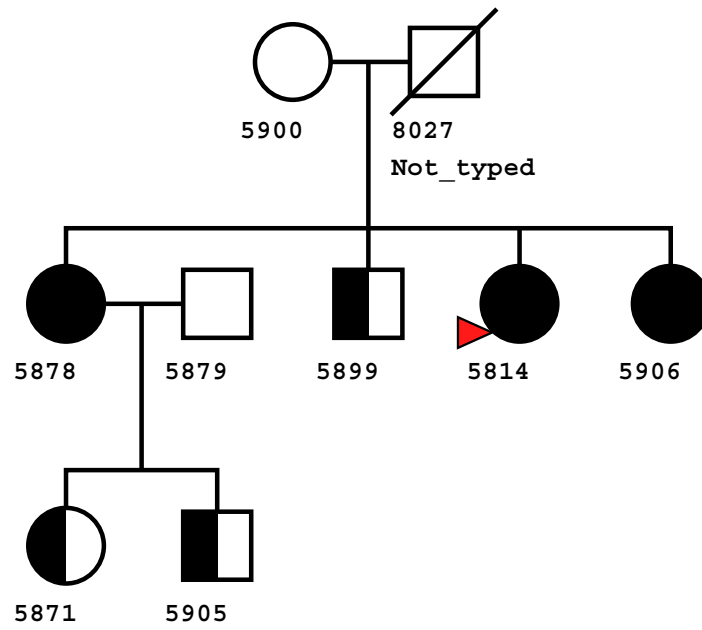


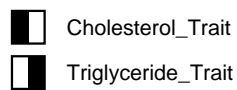
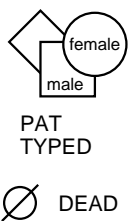
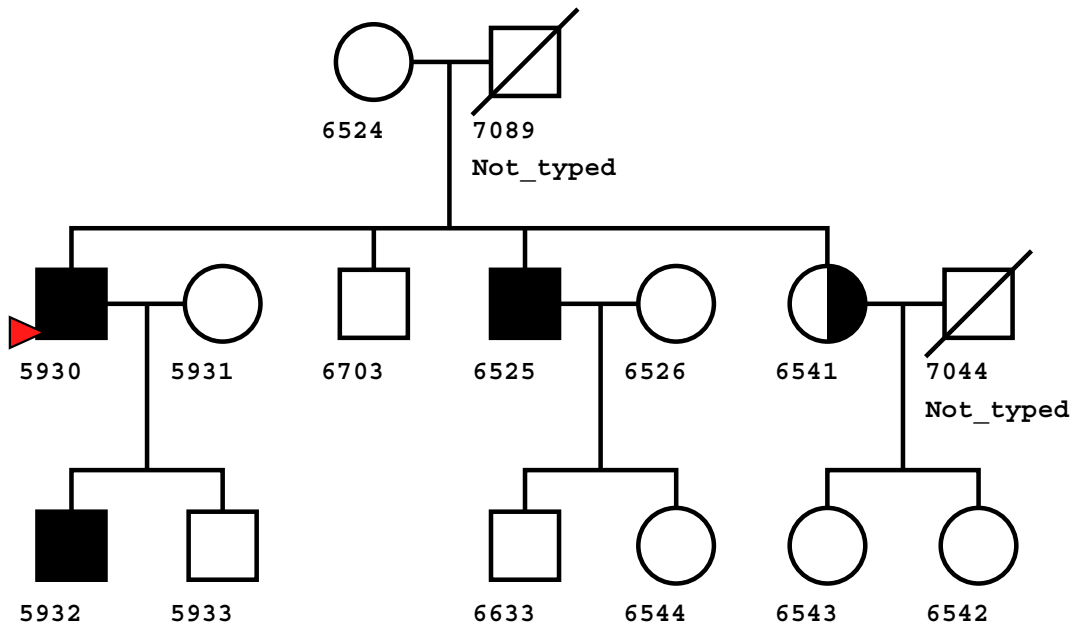
PAT  
TYPED

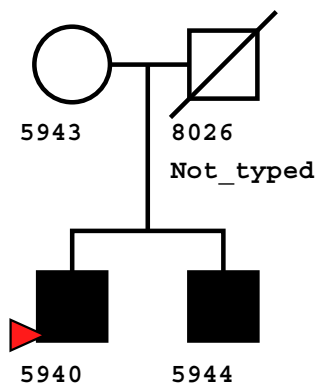
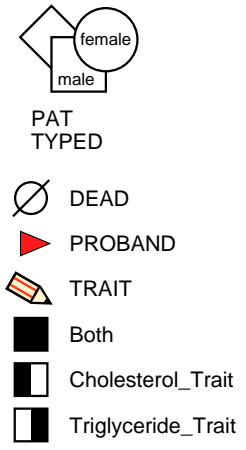




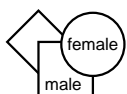
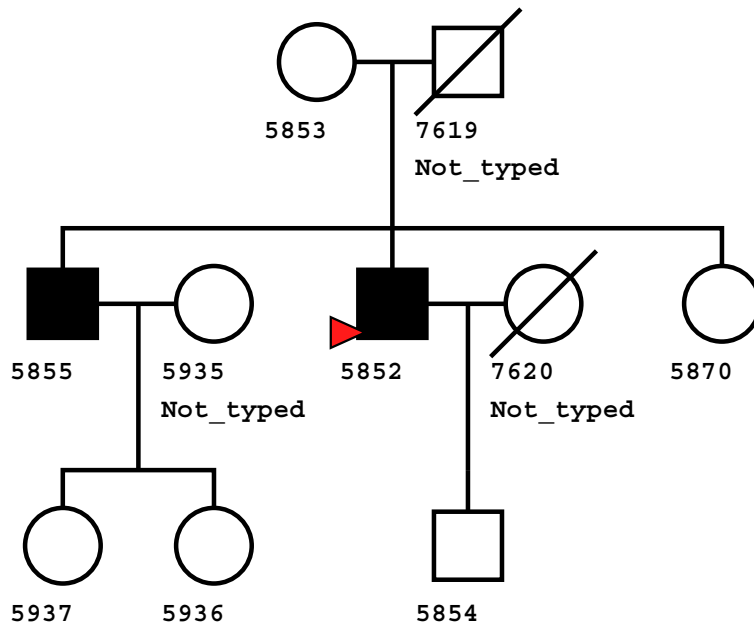




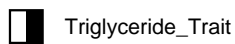


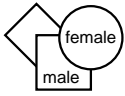




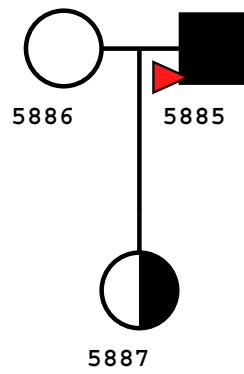
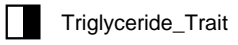


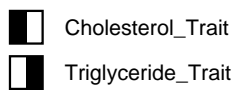
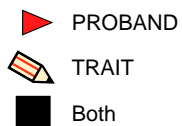
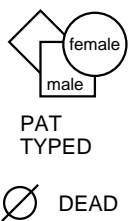
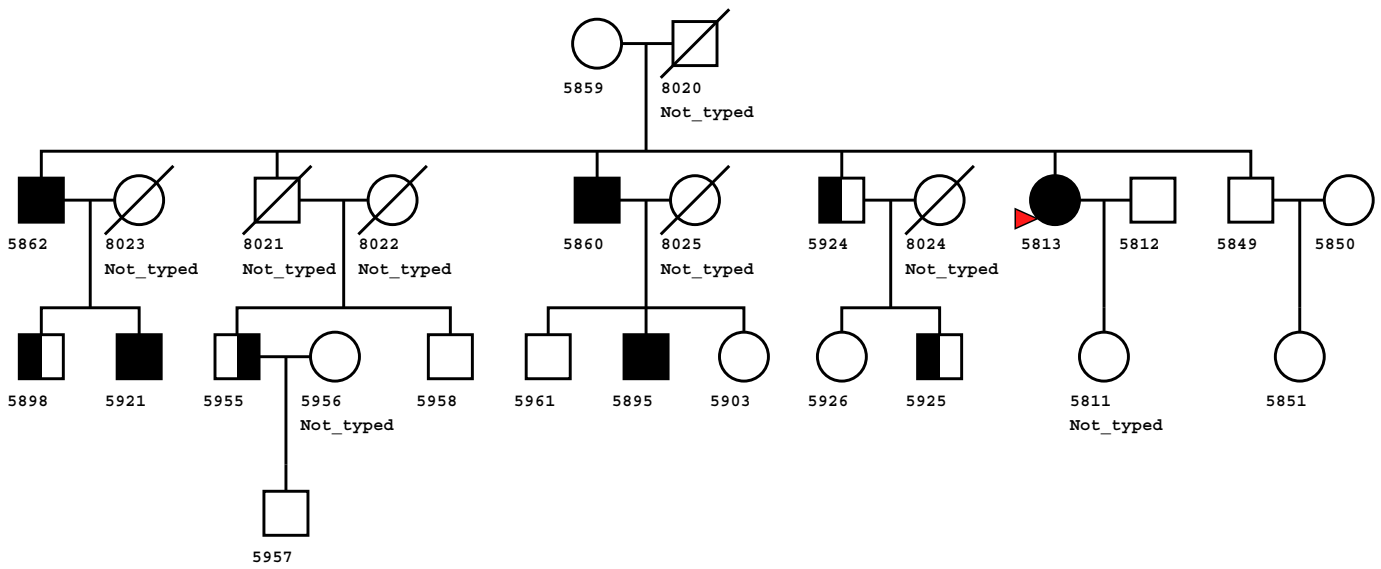
PAT  
TYPED

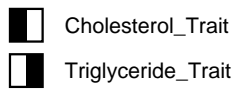
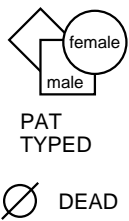
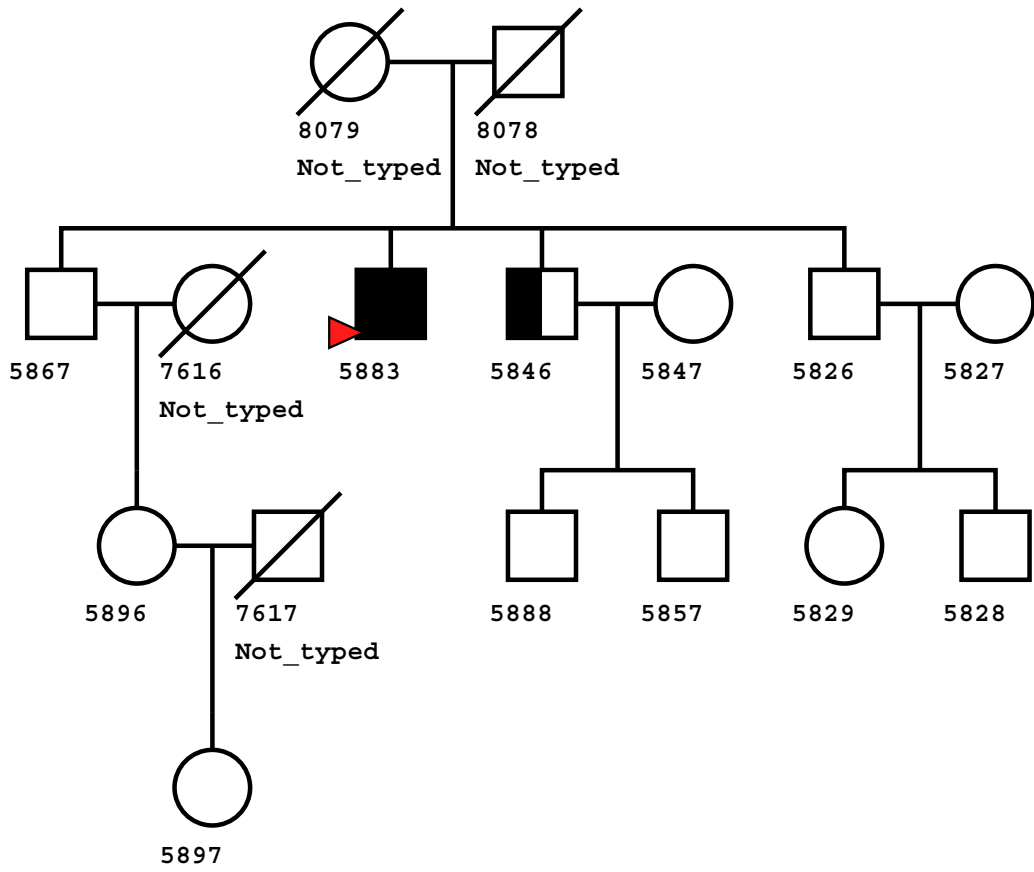


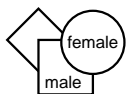
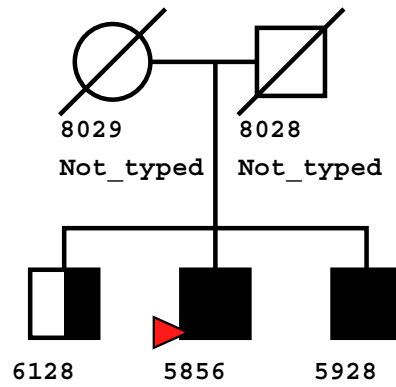


PAT  
TYPED

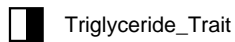


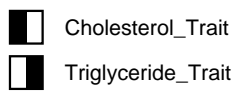
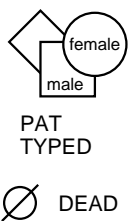
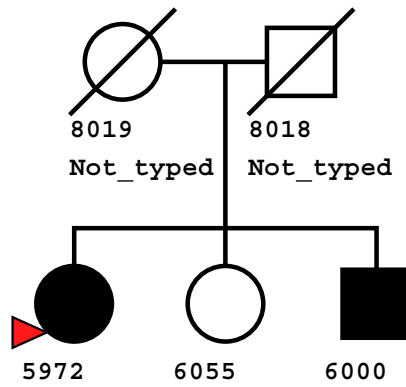


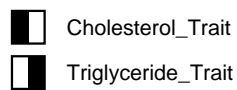
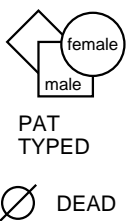
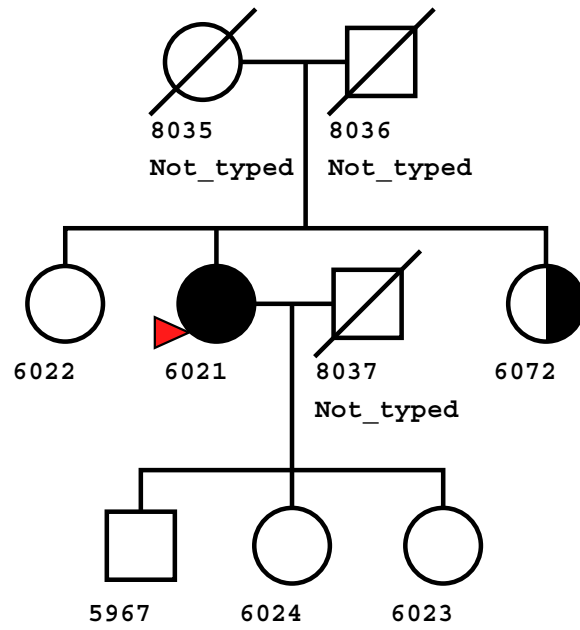


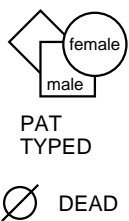
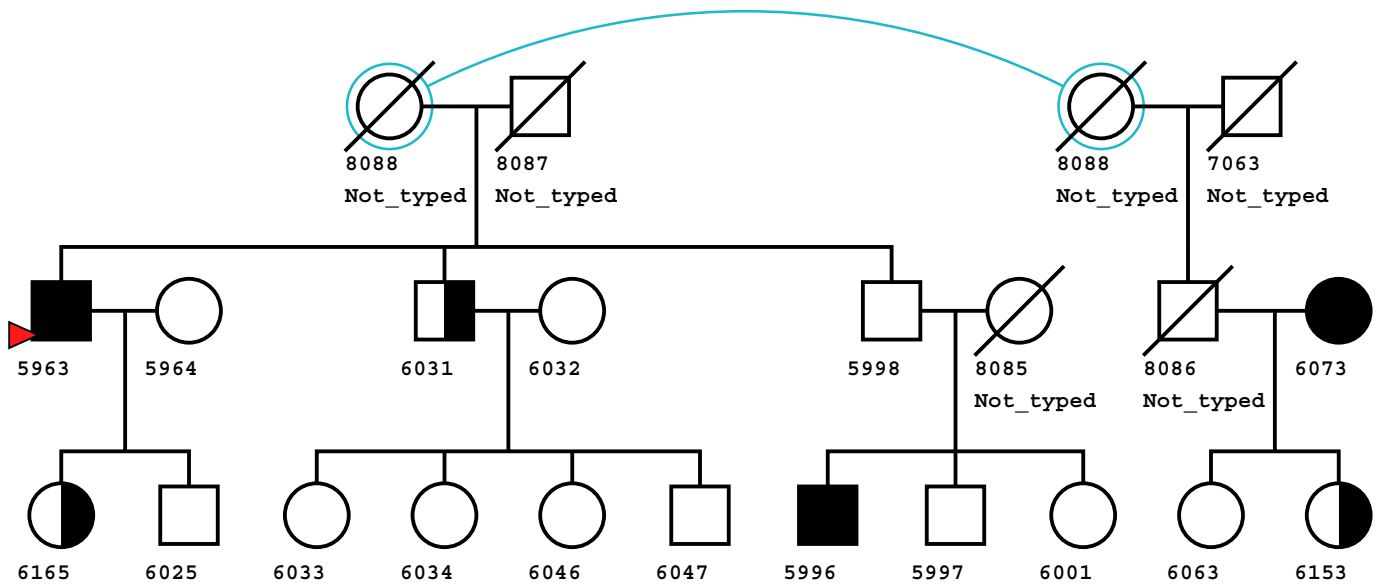


PAT  
TYPED





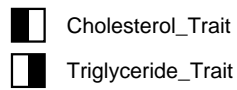
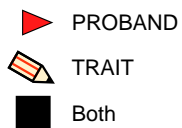
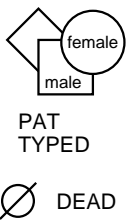
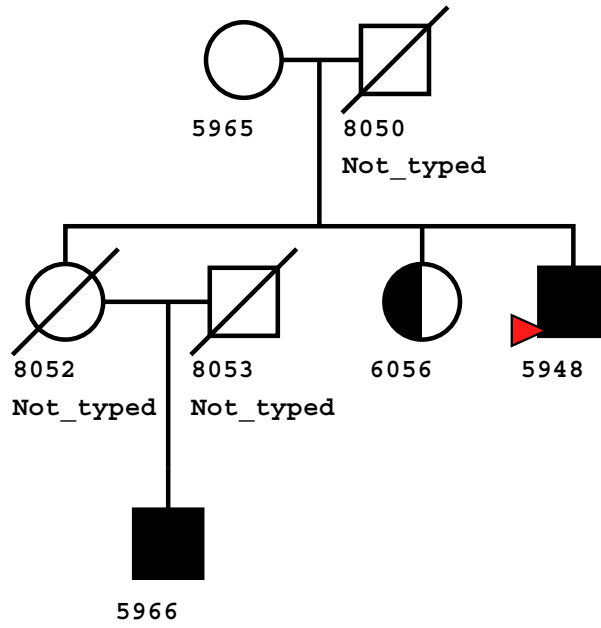


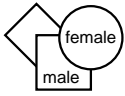


- PROBAND
- TRAIT
- Both

- Cholesterol\_Trait
- Triglyceride\_Trait







PAT  
TYPED



DEAD



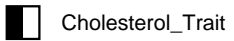
PROBAND



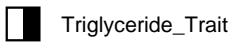
TRAIT



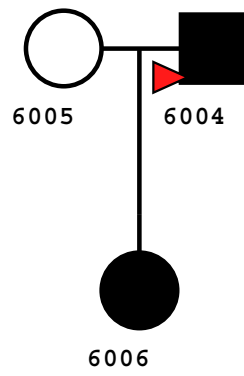
Both

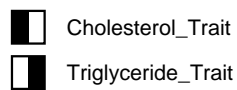
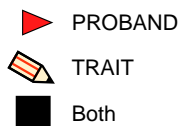
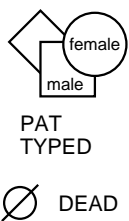
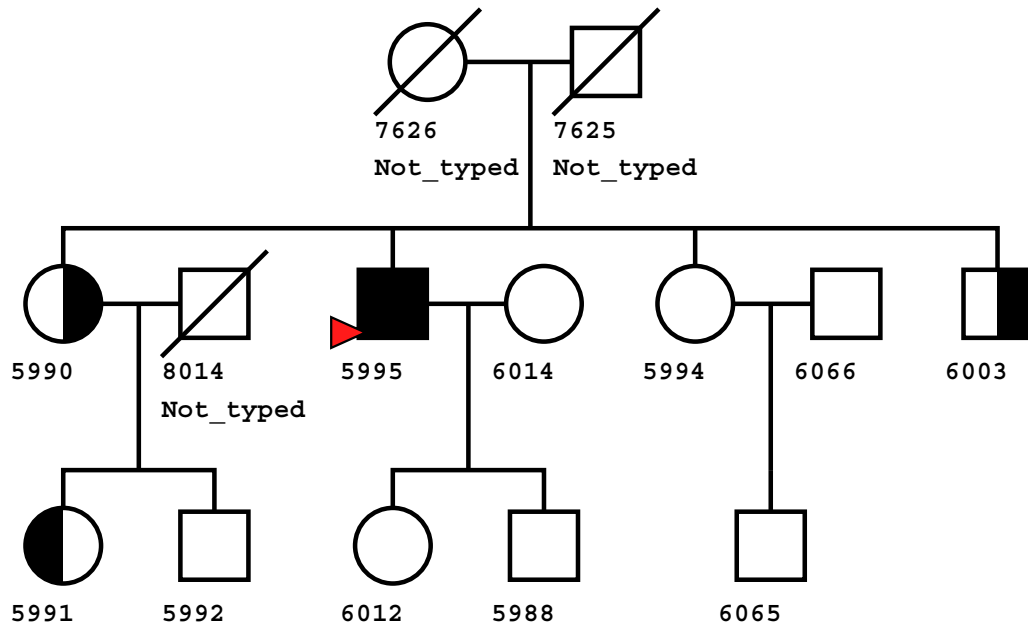


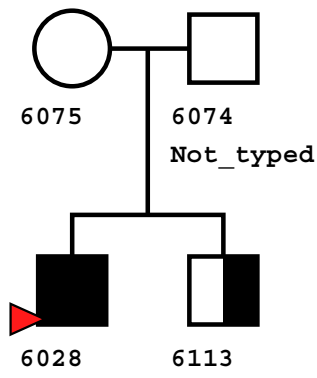
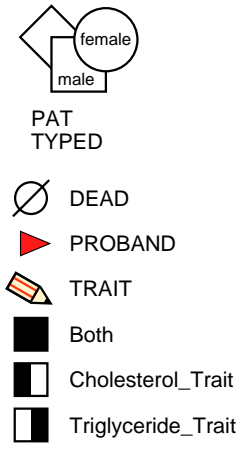
Cholesterol\_Trait

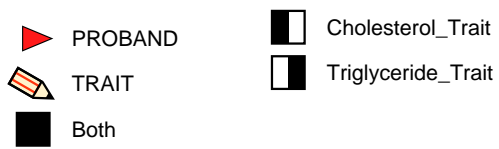
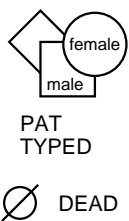
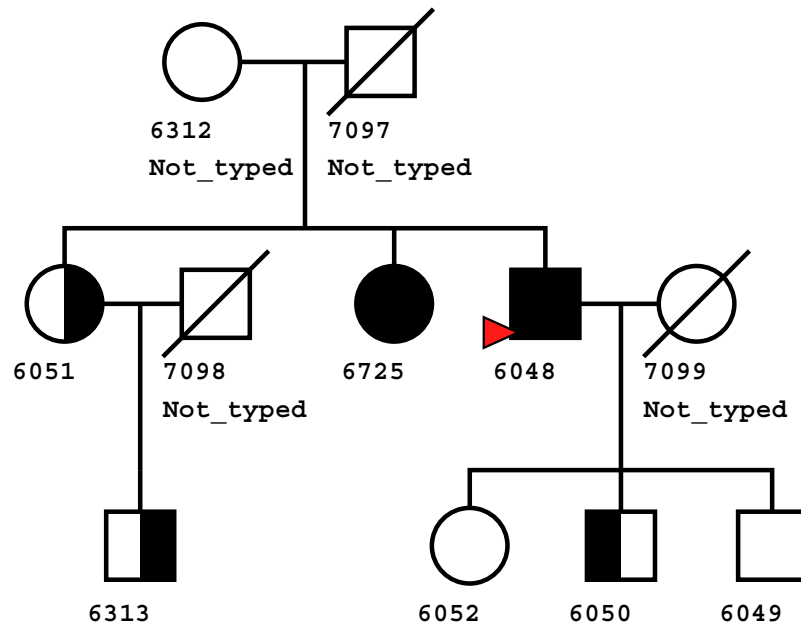


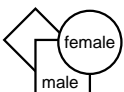
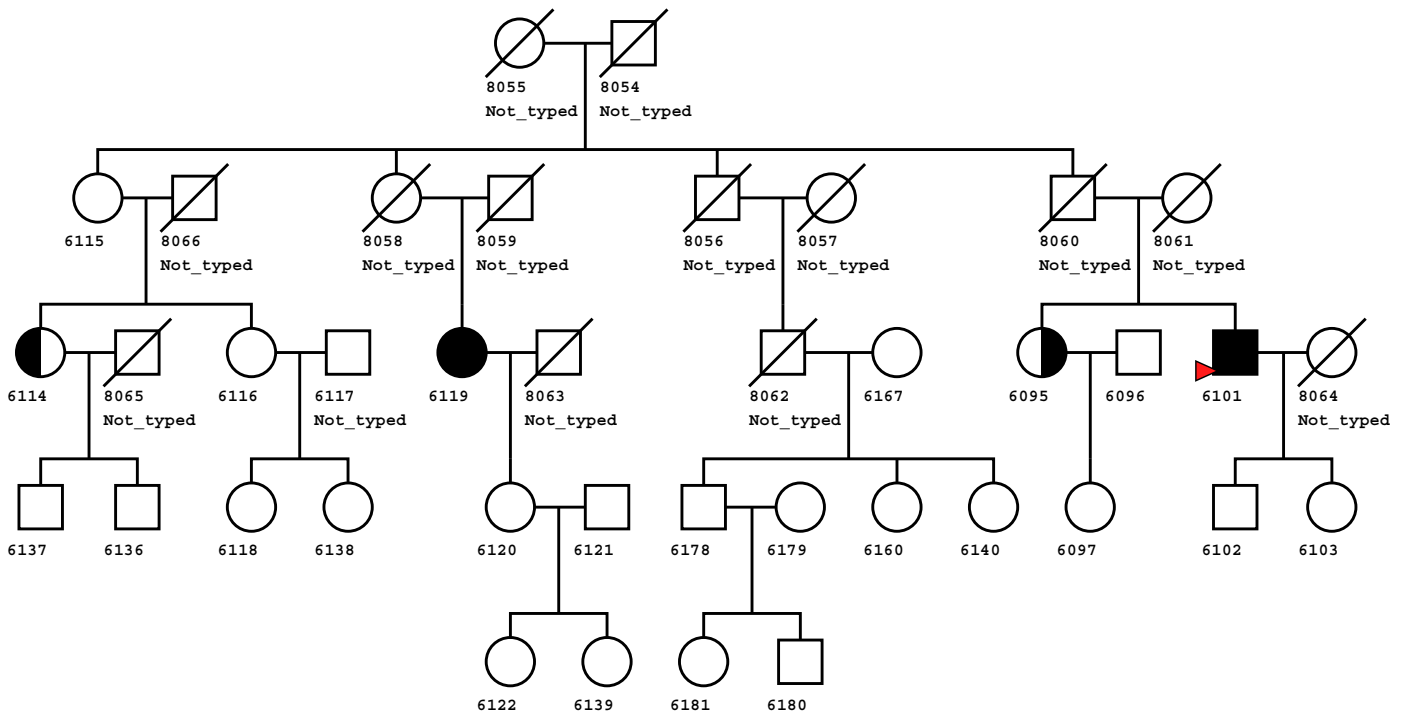
Triglyceride\_Trait











PAT  
TYPED

DEAD

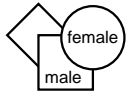
PROBAND

TRAIT

Both

Cholesterol\_Trait

Triglyceride\_Trait



PAT  
TYPED



DEAD



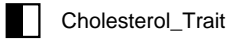
PROBAND



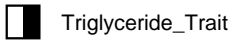
TRAIT



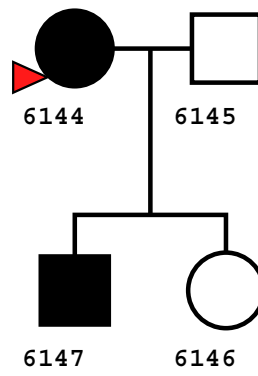
Both

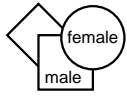


Cholesterol\_Trait



Triglyceride\_Trait





PAT  
TYPED

DEAD

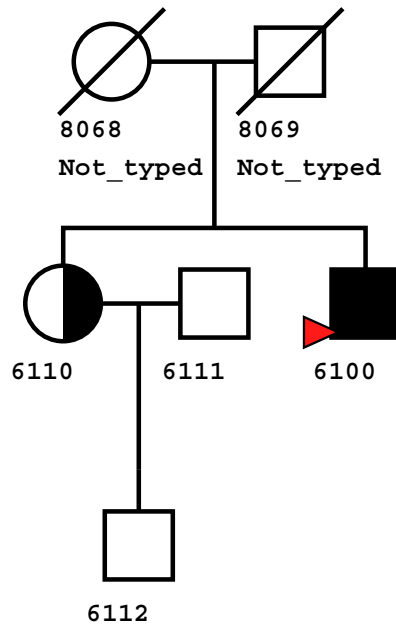
PROBAND

TRAIT

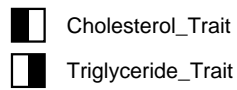
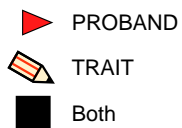
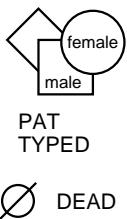
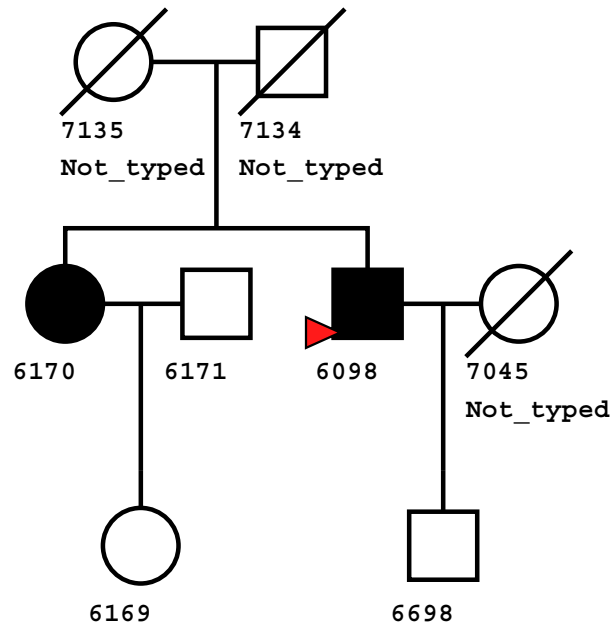
Both

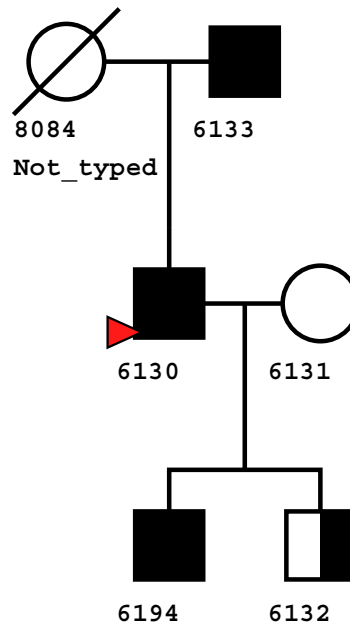
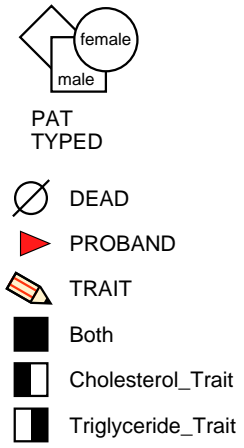
Cholesterol\_Trait

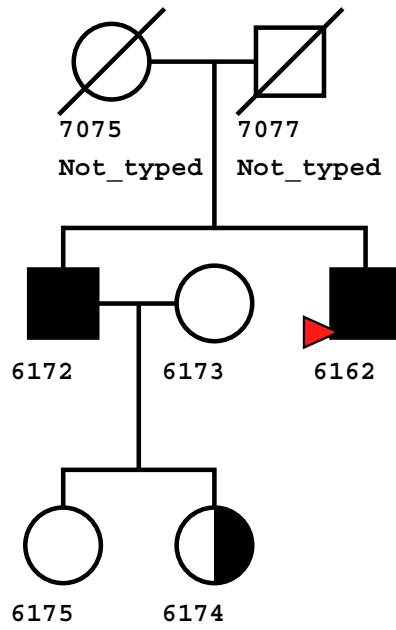
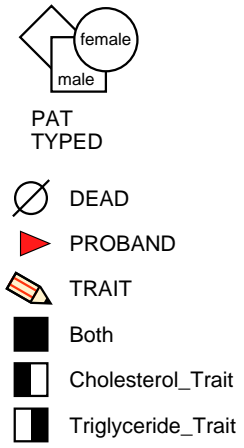
Triglyceride\_Trait

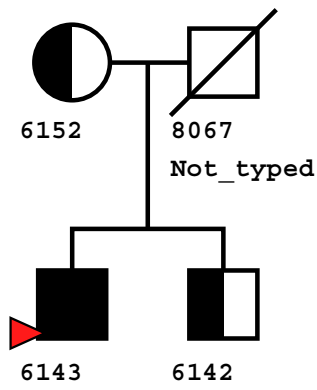
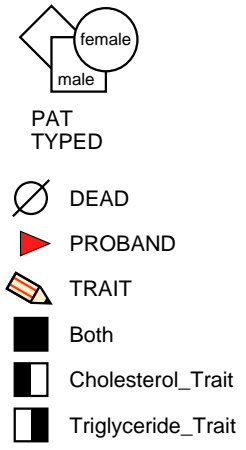


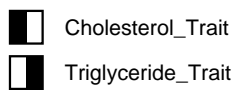
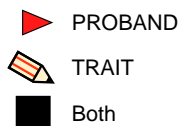
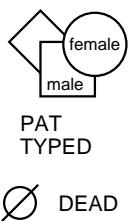
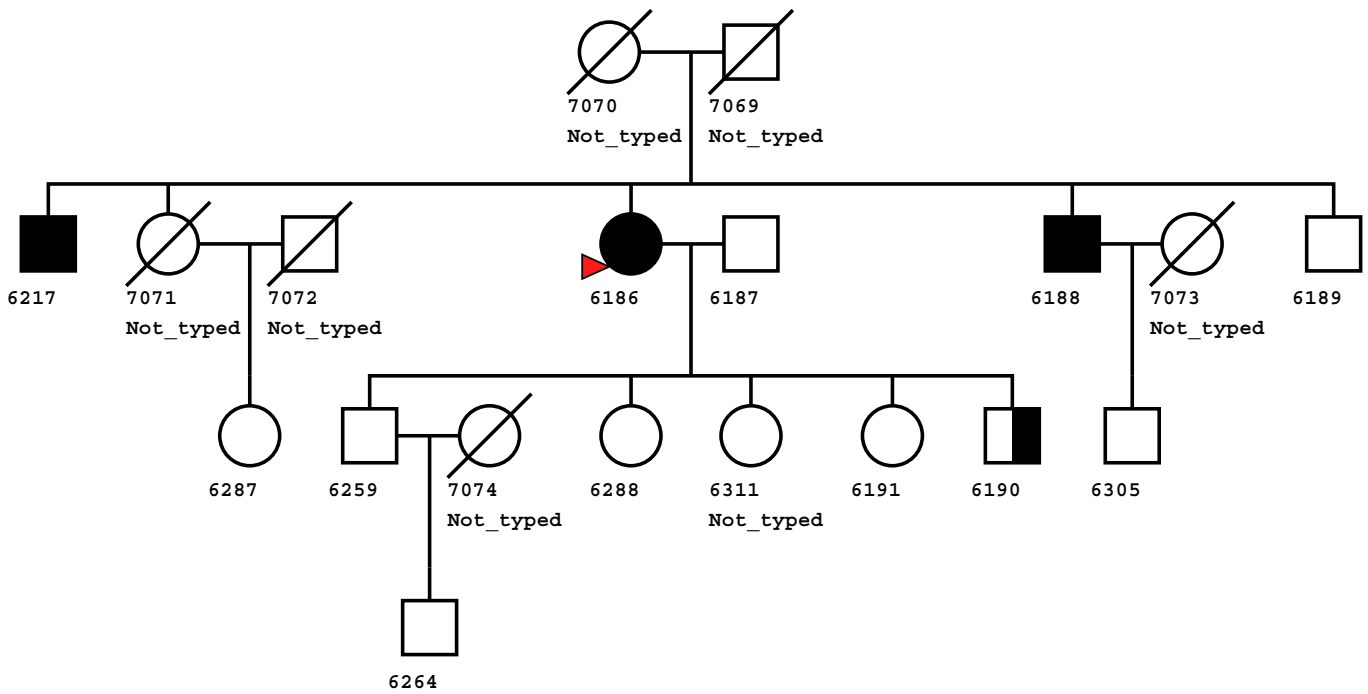


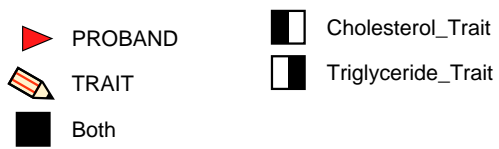
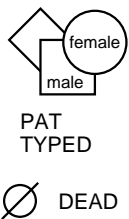
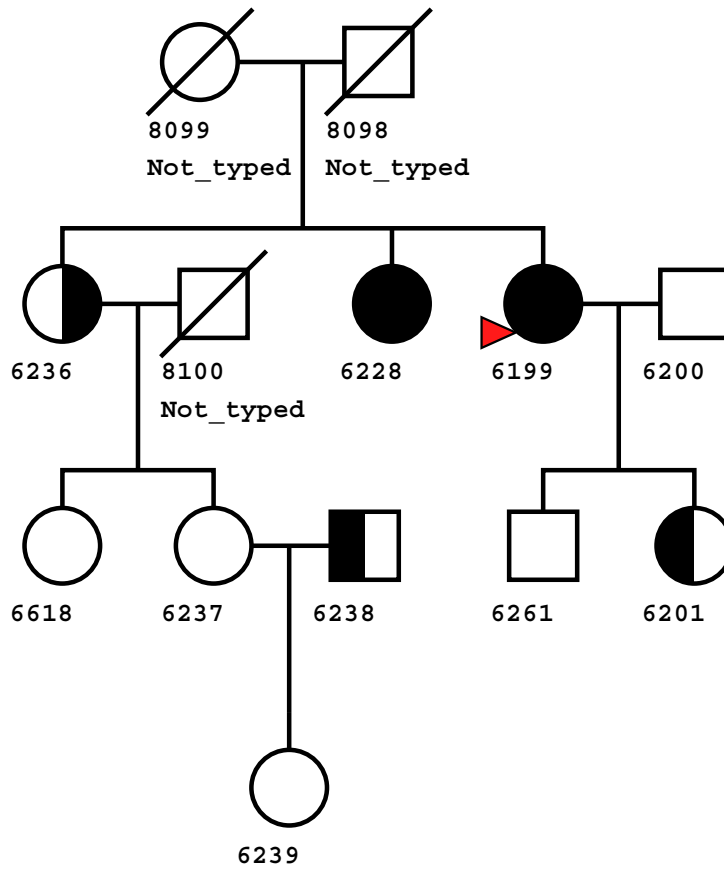


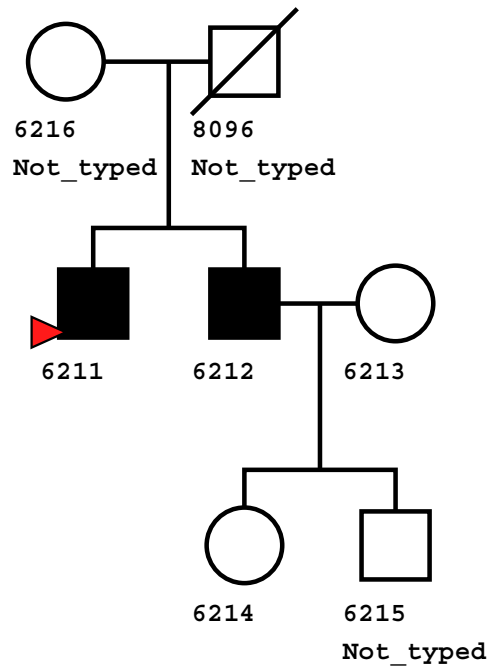
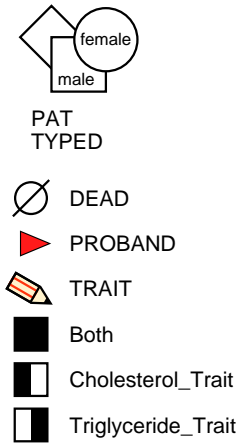


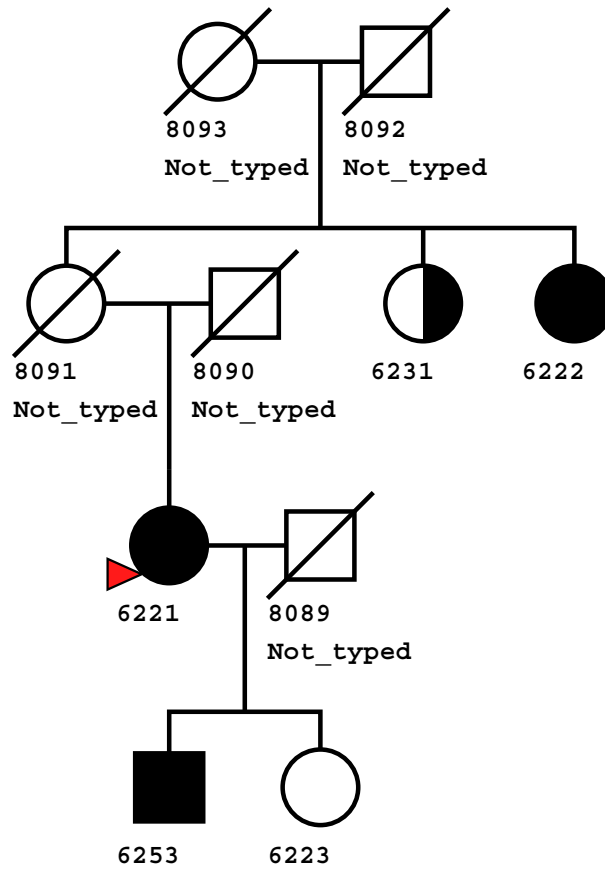
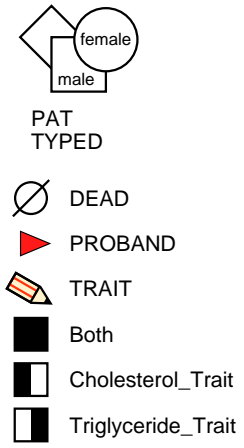




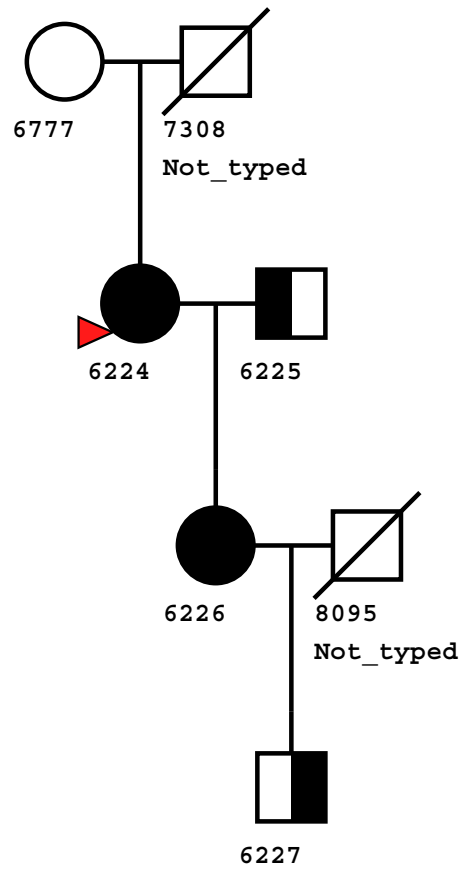
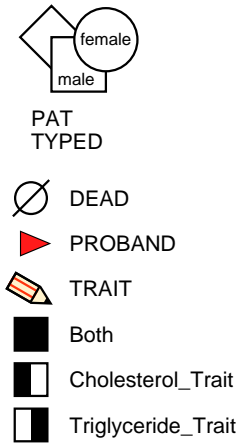


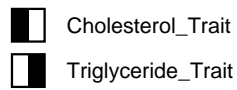
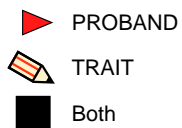
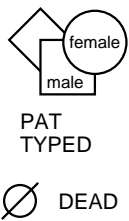
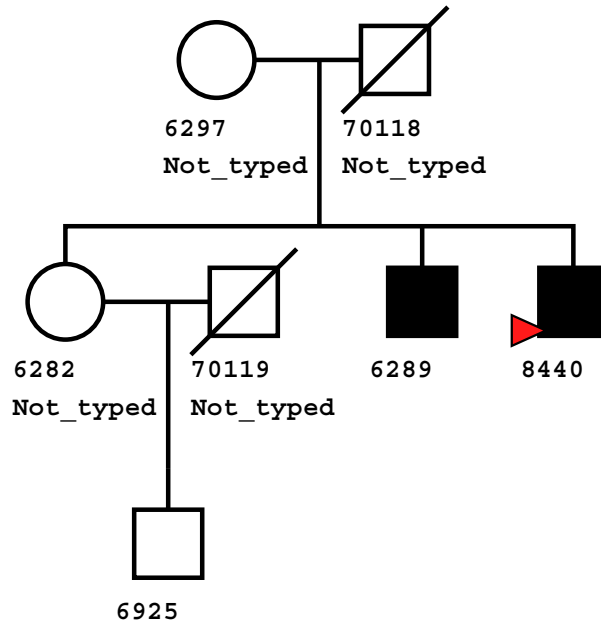


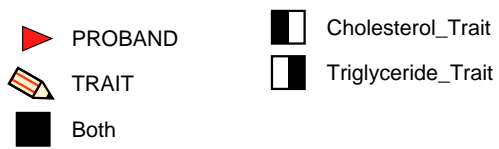
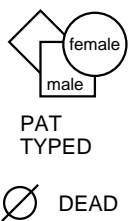
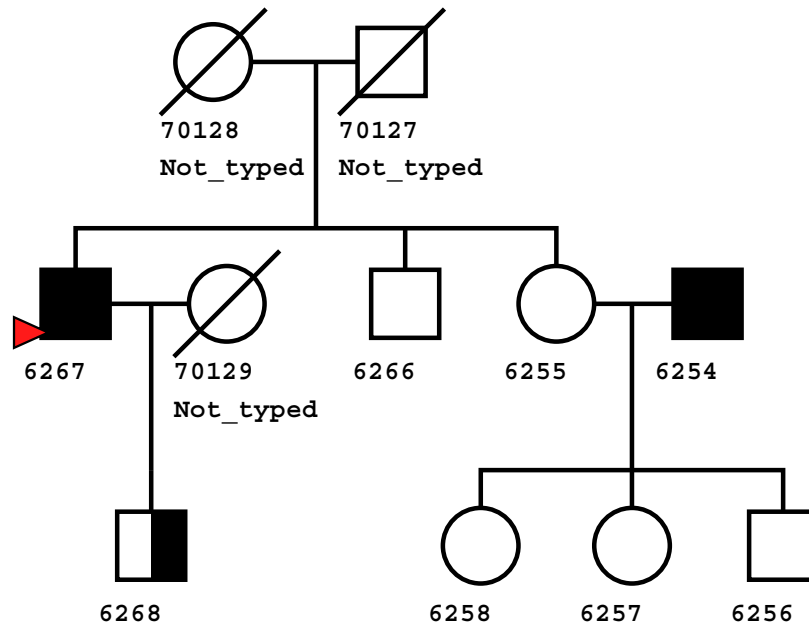


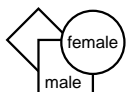
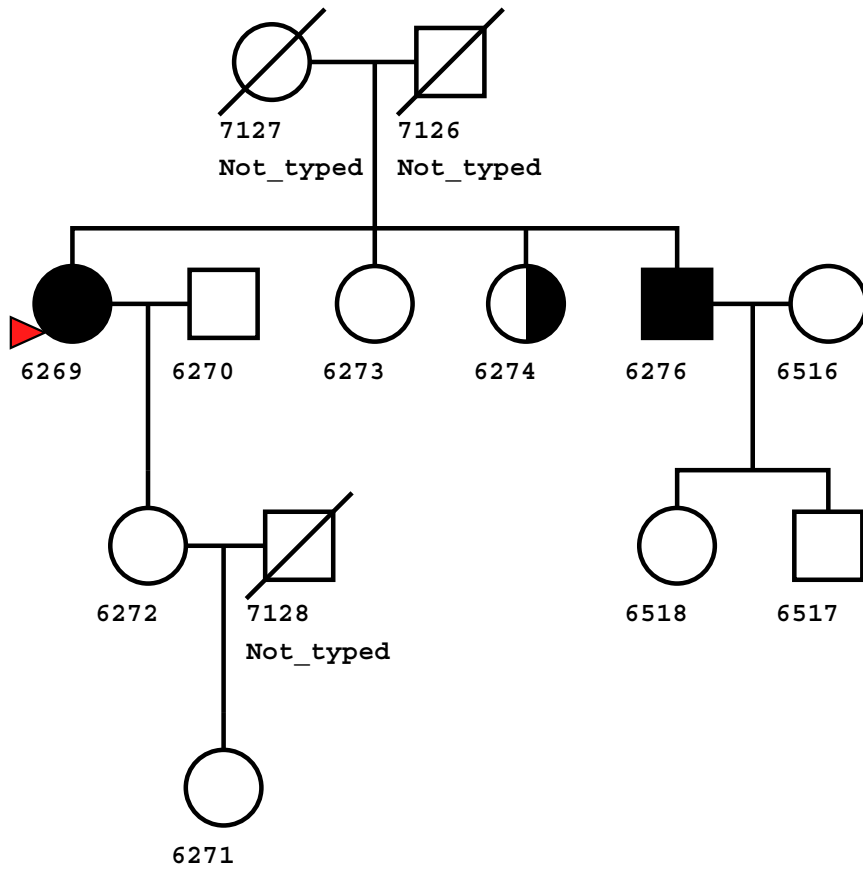












PAT  
TYPED

DEAD

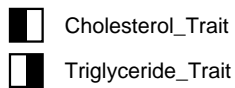
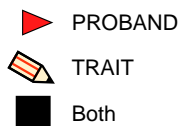
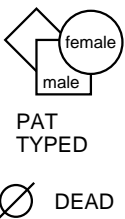
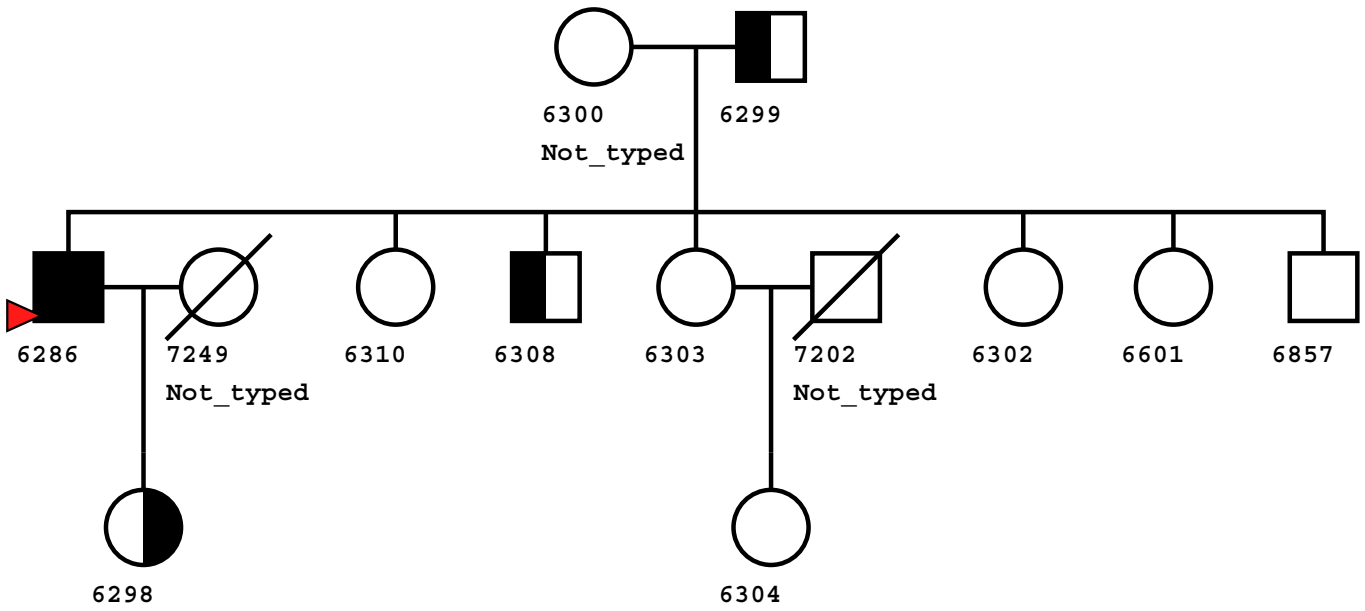
PROBAND

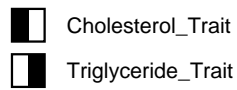
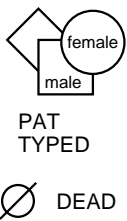
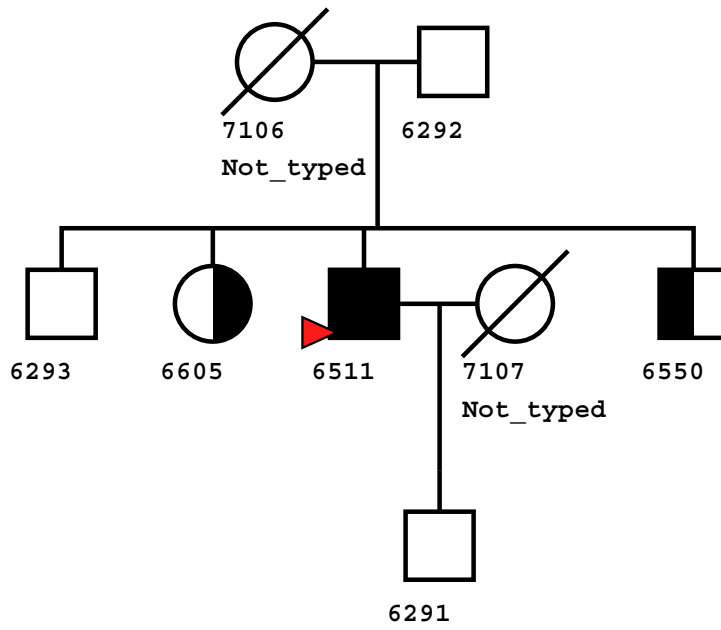
TRAIT

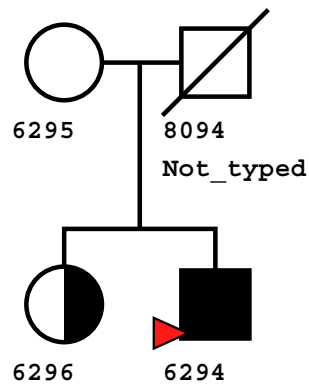
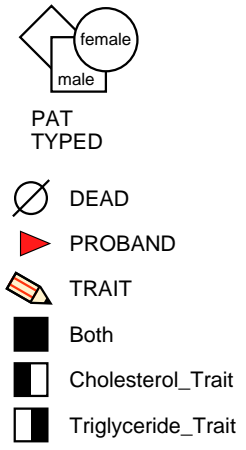
Both

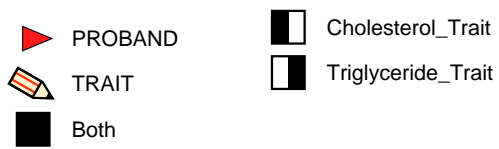
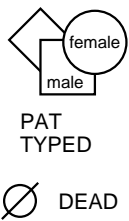
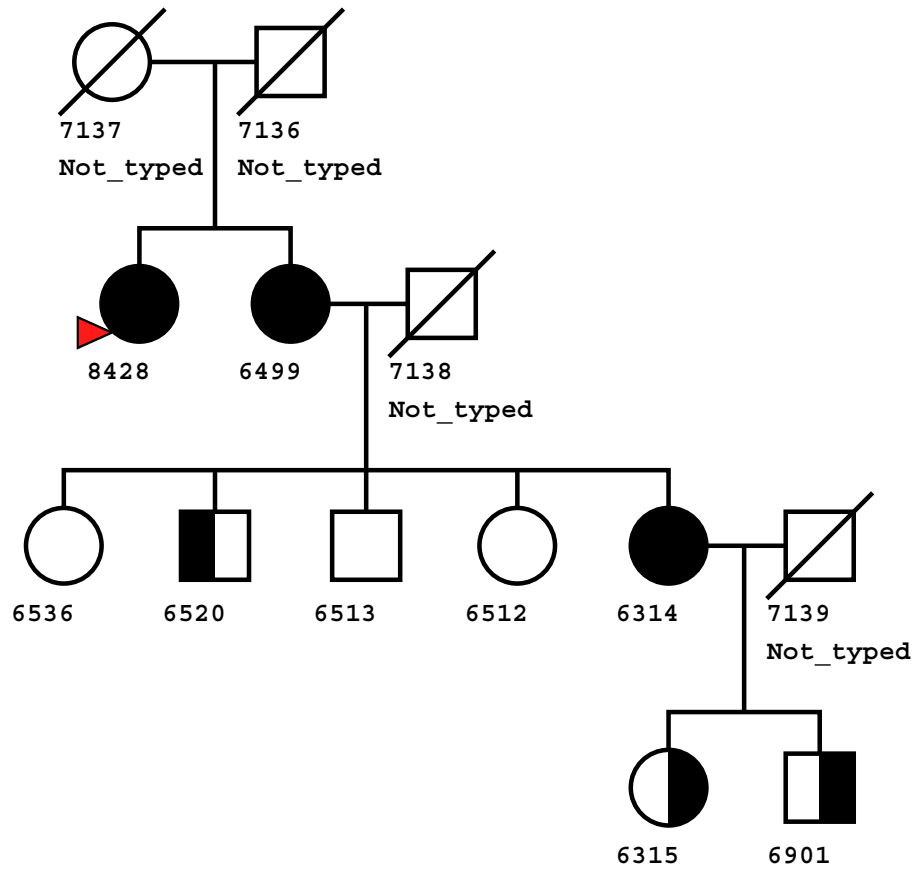
Cholesterol\_Trait

Triglyceride\_Trait

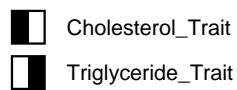
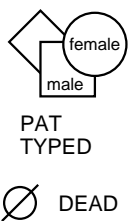
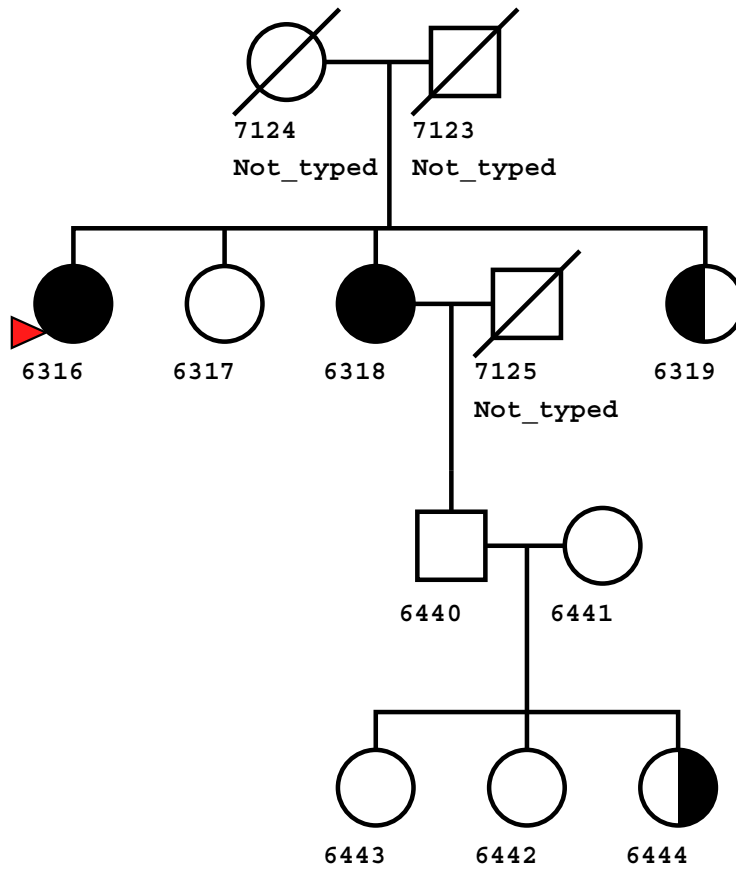


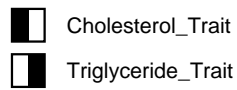
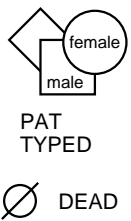
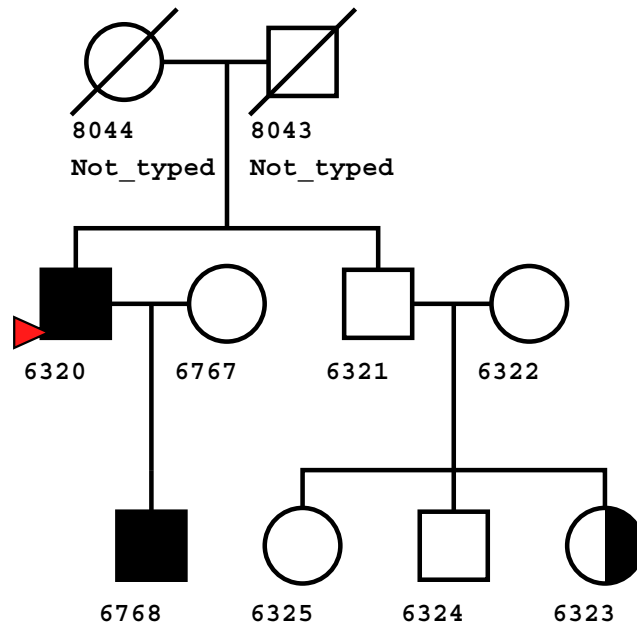


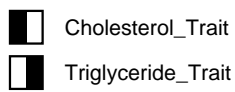
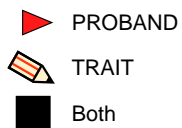
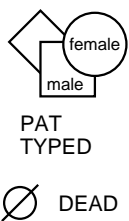
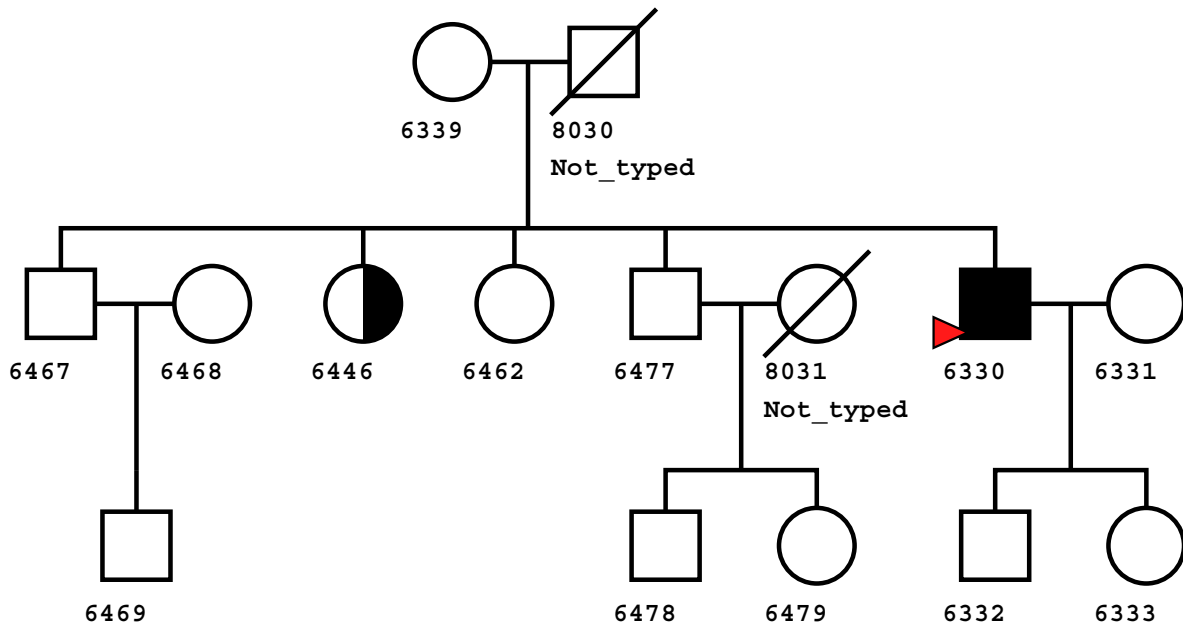


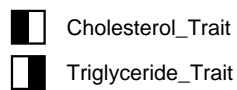
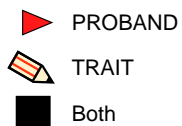
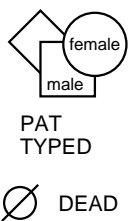
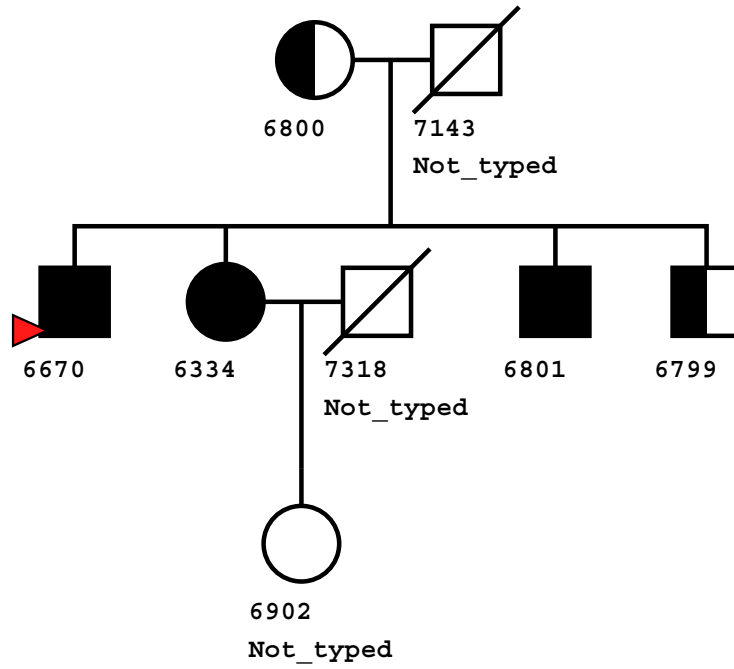


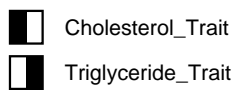
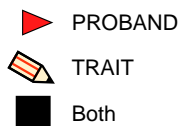
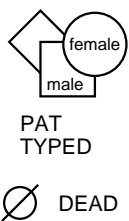
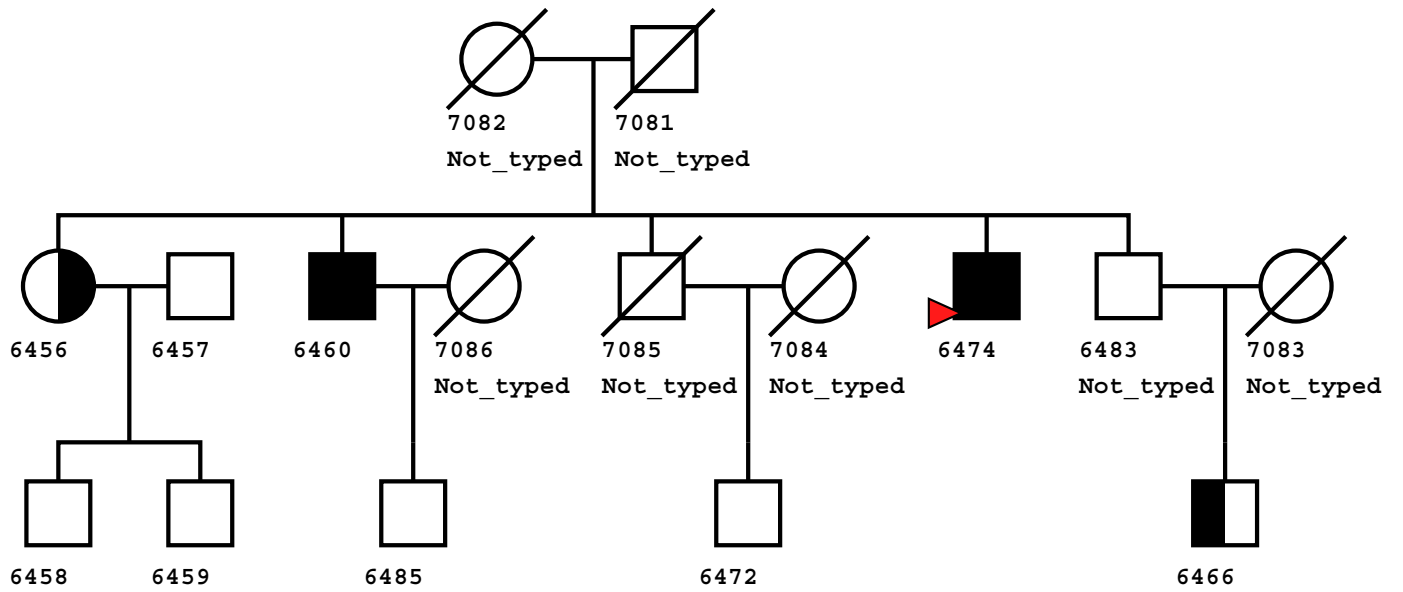


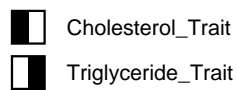
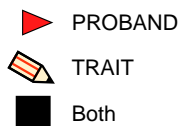
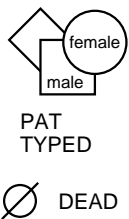
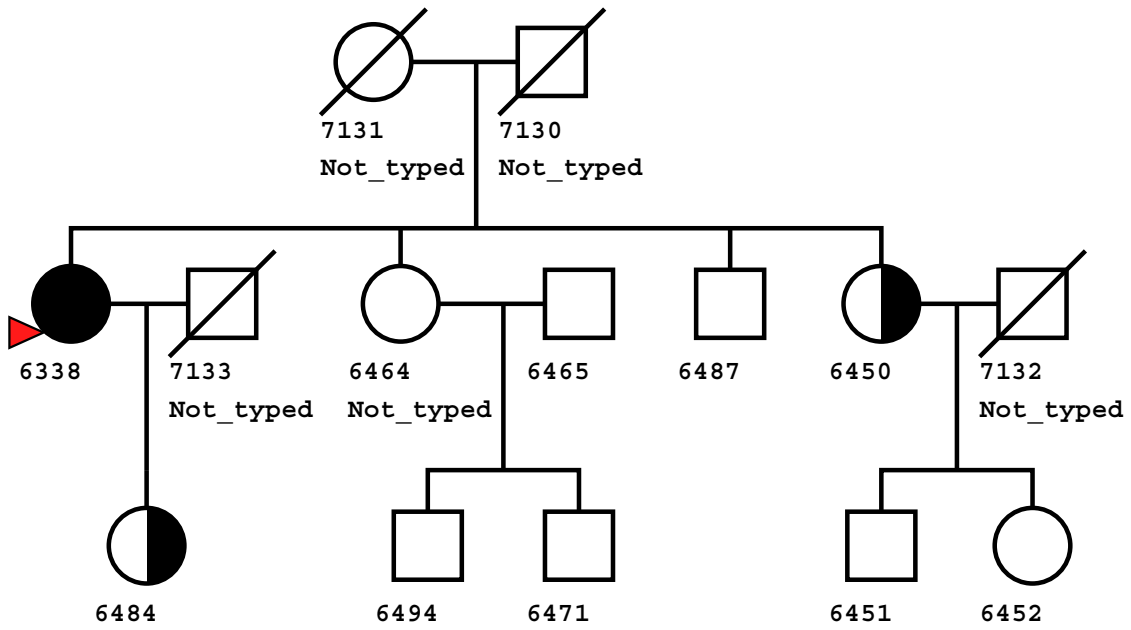


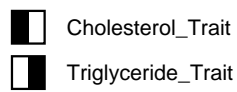
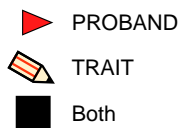
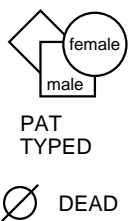
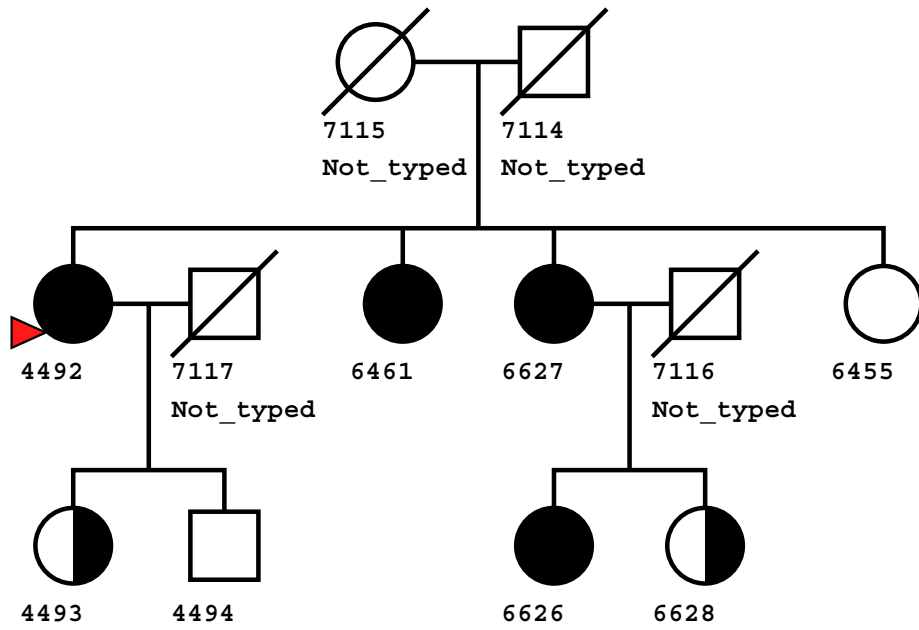


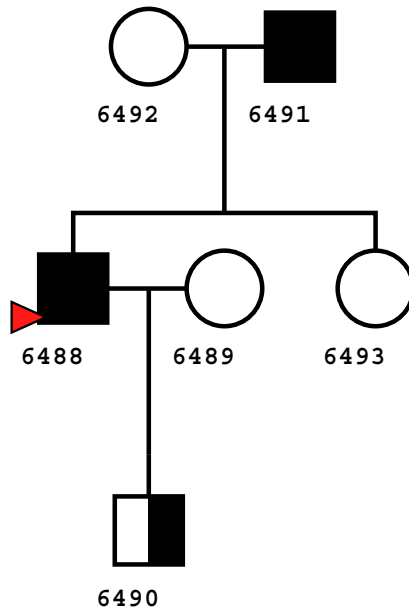
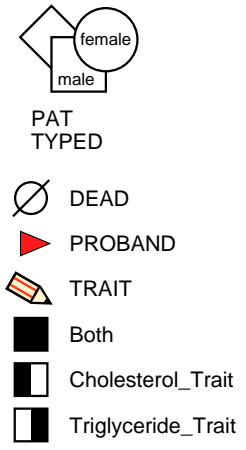




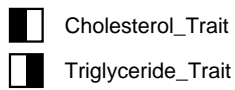
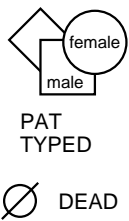
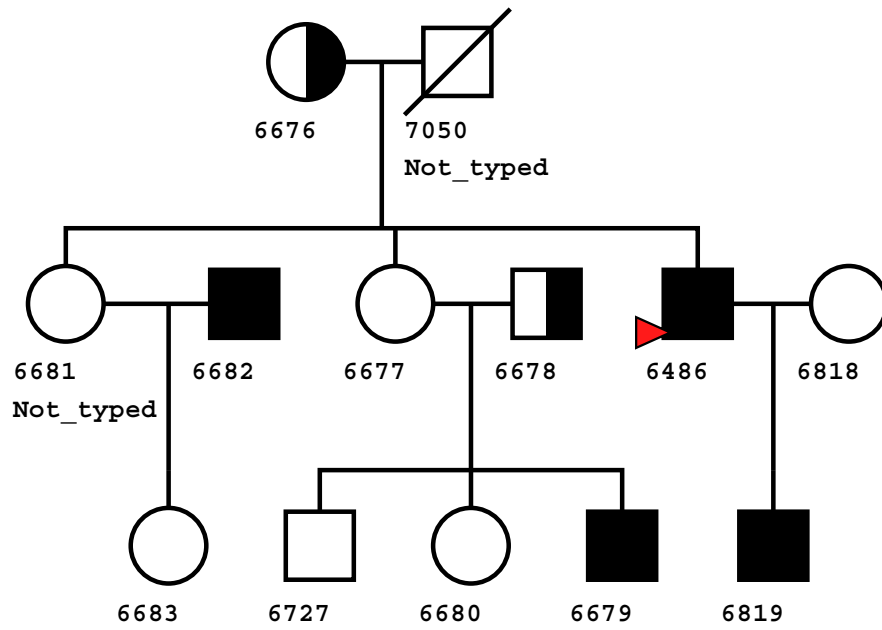




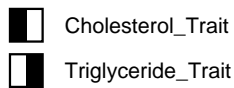
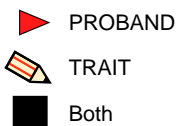
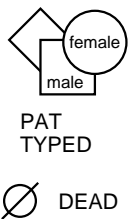
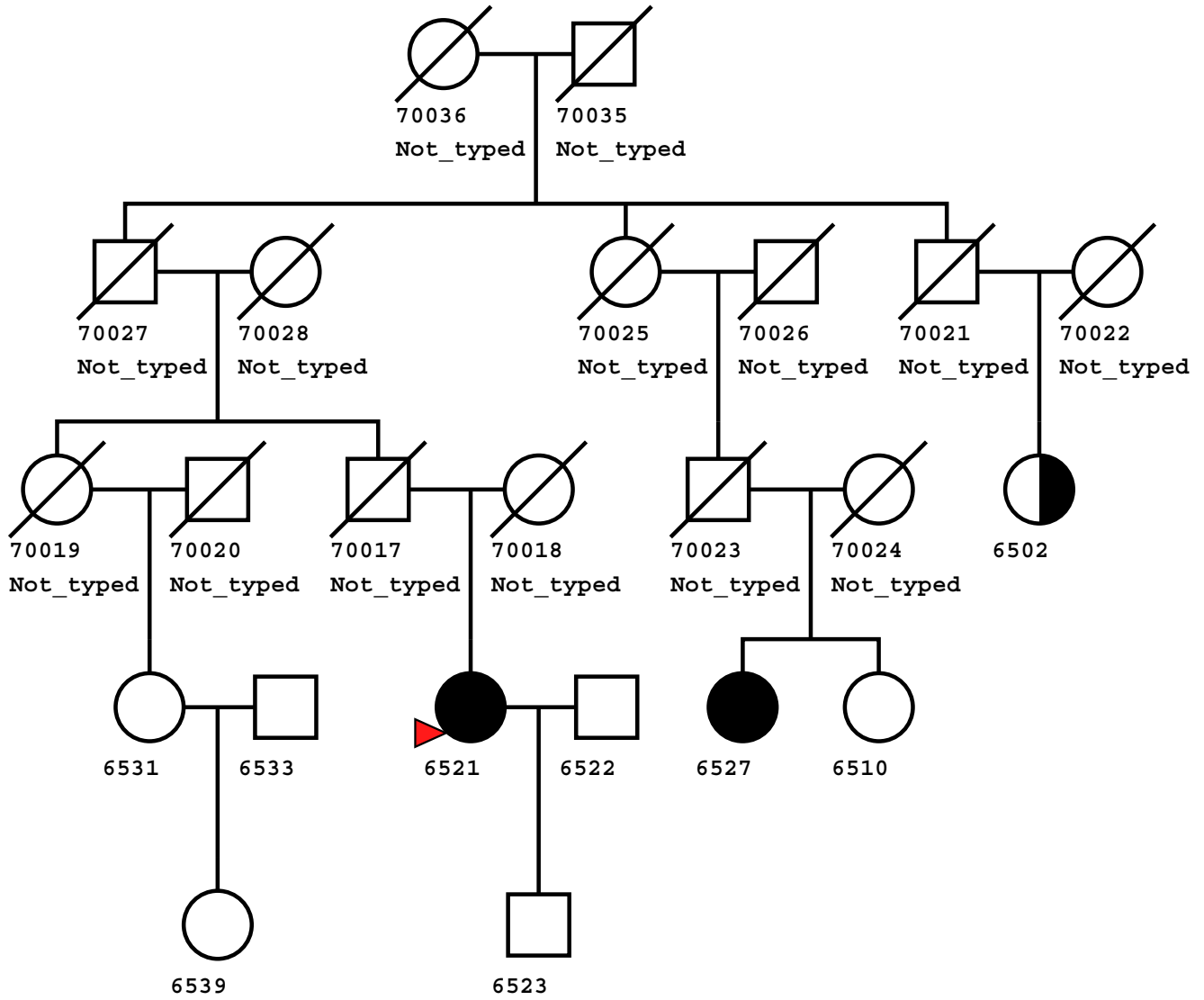


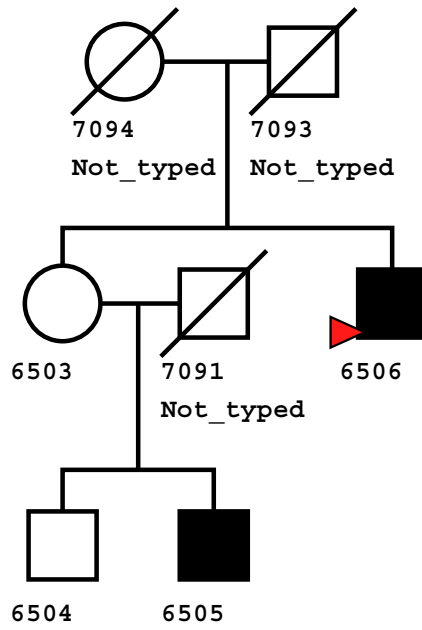
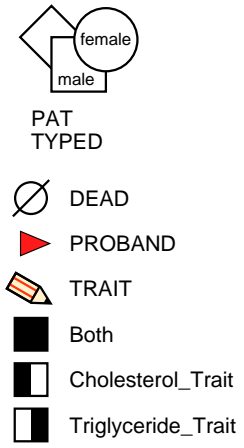




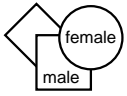


23 individuals





7 individuals



PAT  
TYPED

DEAD

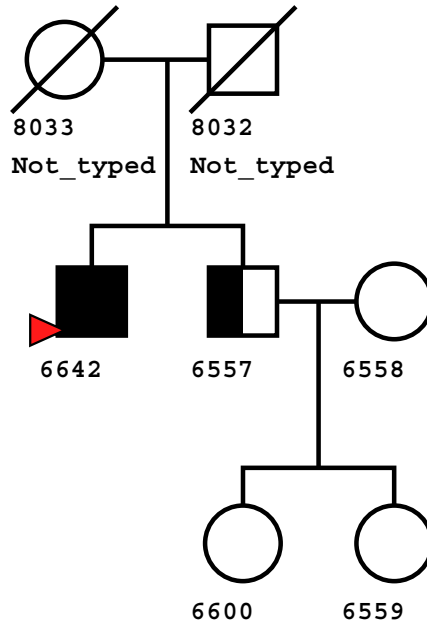
PROBAND

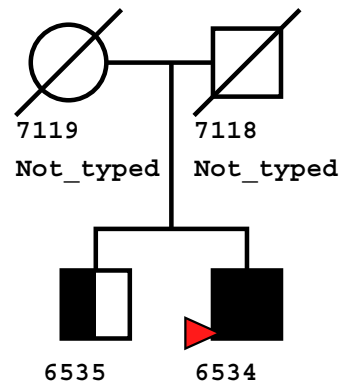
TRAIT

Both

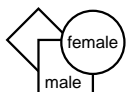
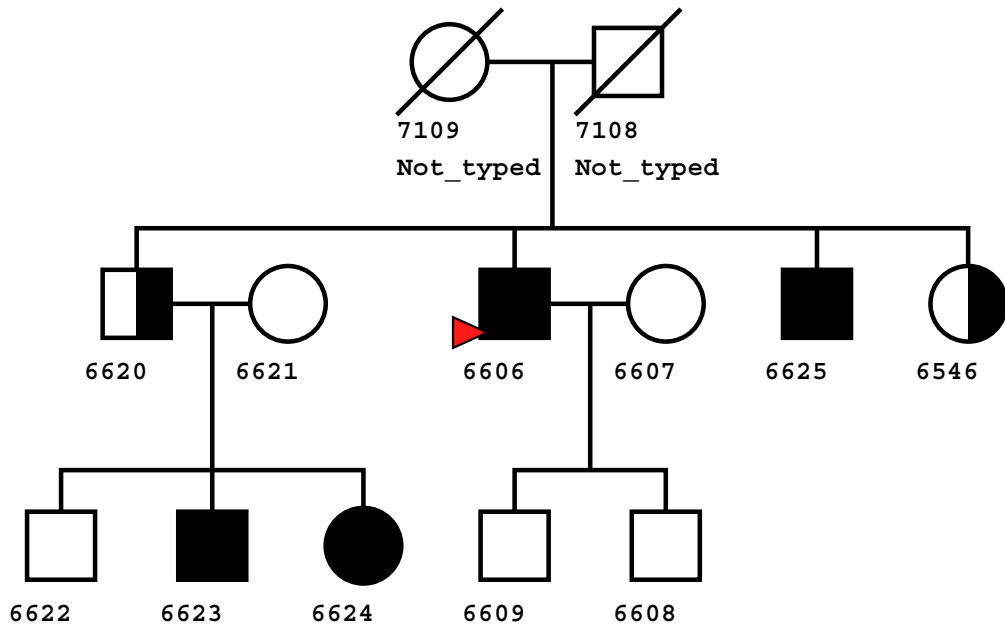
Cholesterol\_Trait

Triglyceride\_Trait





13 individuals



PAT  
TYPED

DEAD

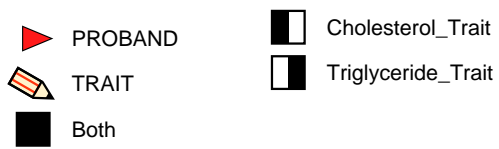
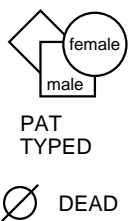
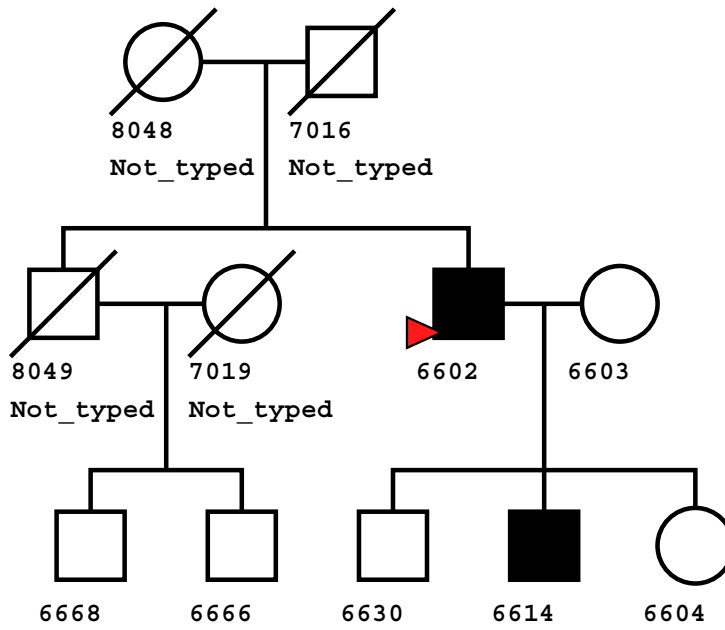
PROBAND

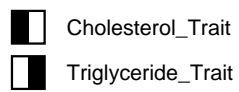
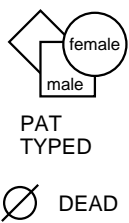
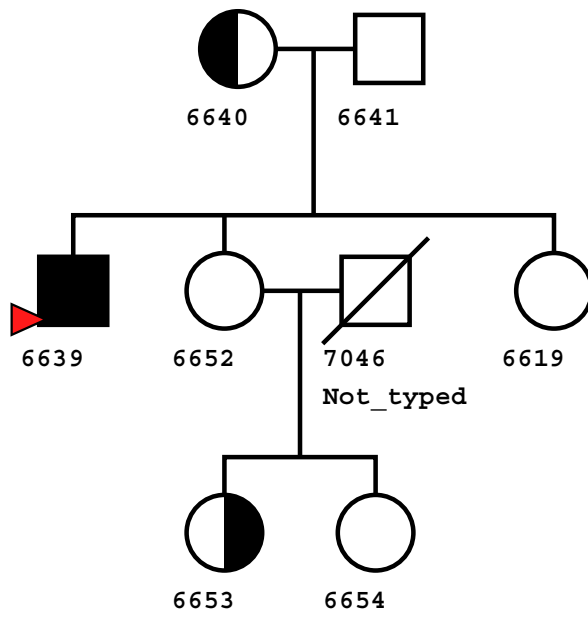
TRAIT

Both

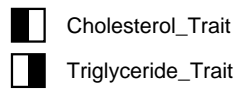
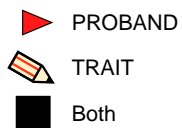
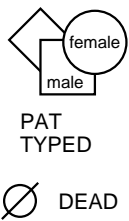
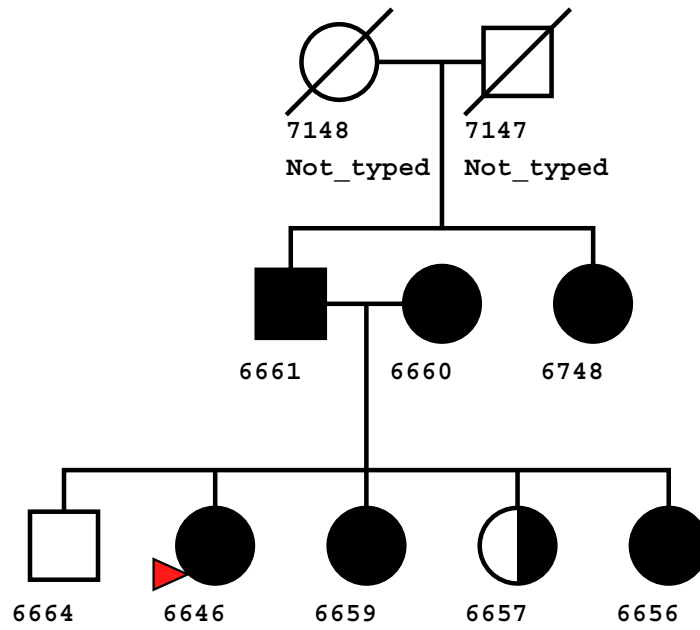
Cholesterol\_Trait

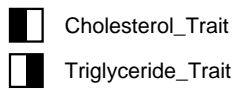
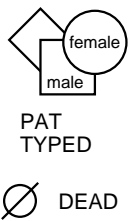
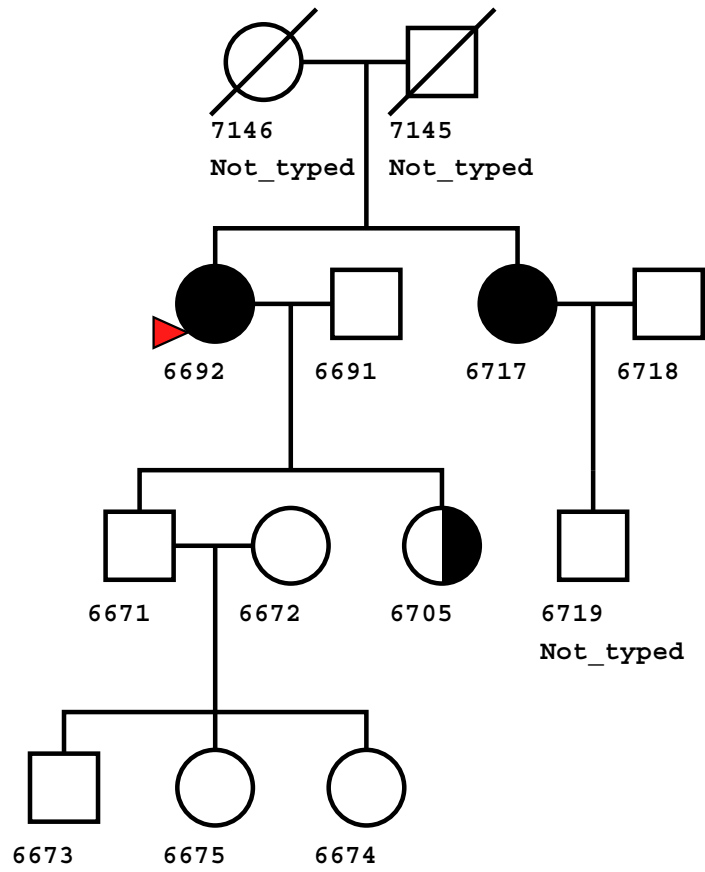
Triglyceride\_Trait

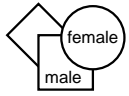












PAT  
TYPED



DEAD



PROBAND



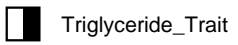
TRAIT



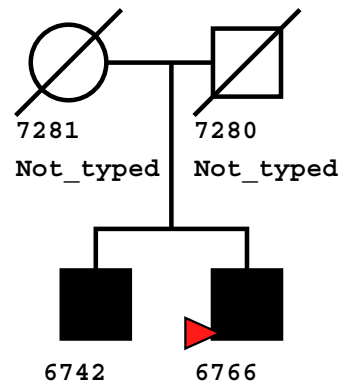
Both

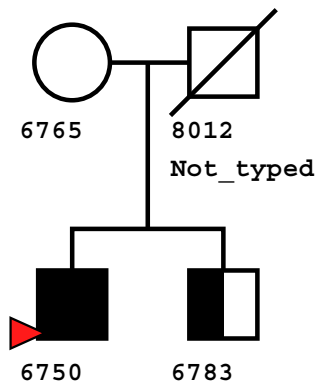
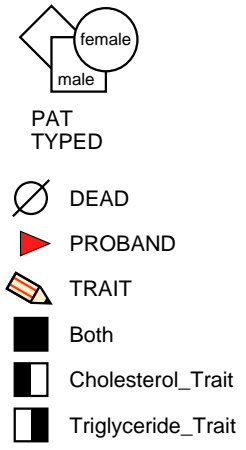


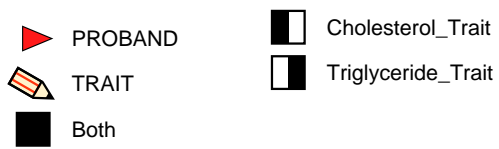
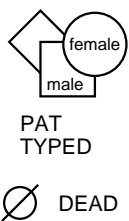
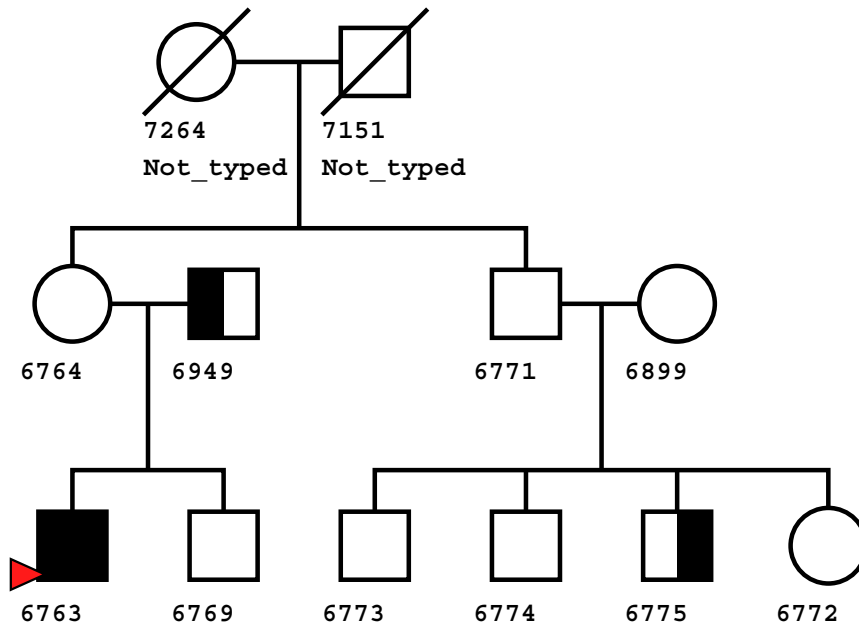
Cholesterol\_Trait

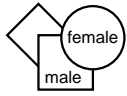


Triglyceride\_Trait

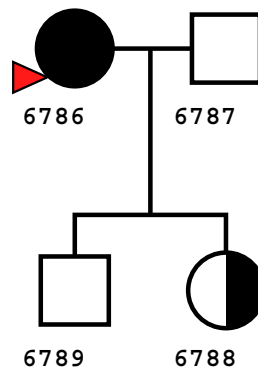
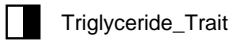




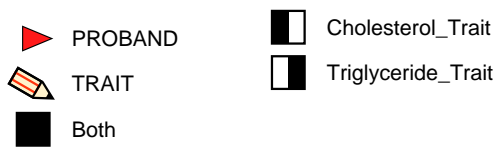
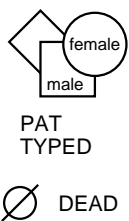
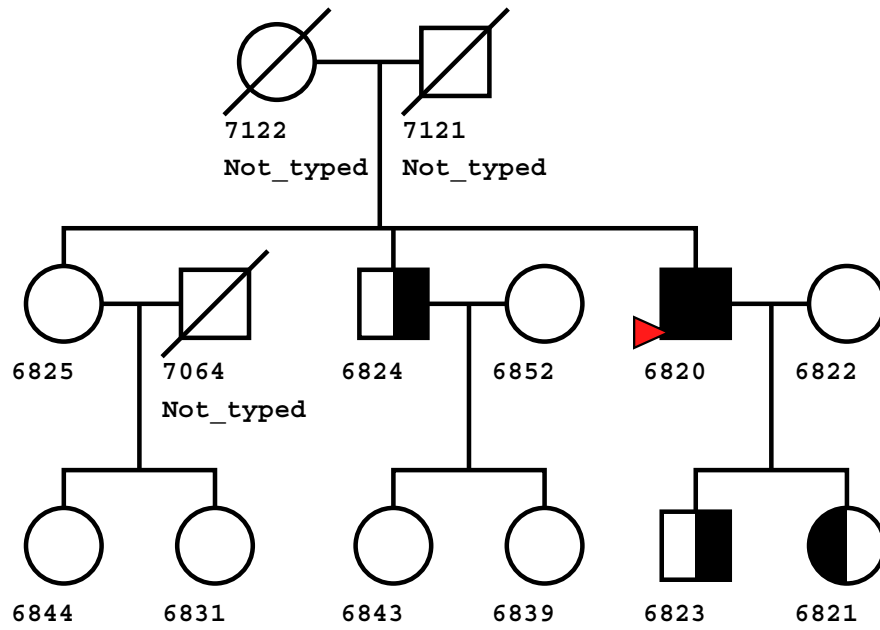




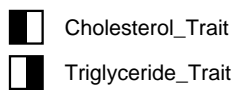
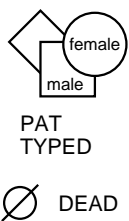
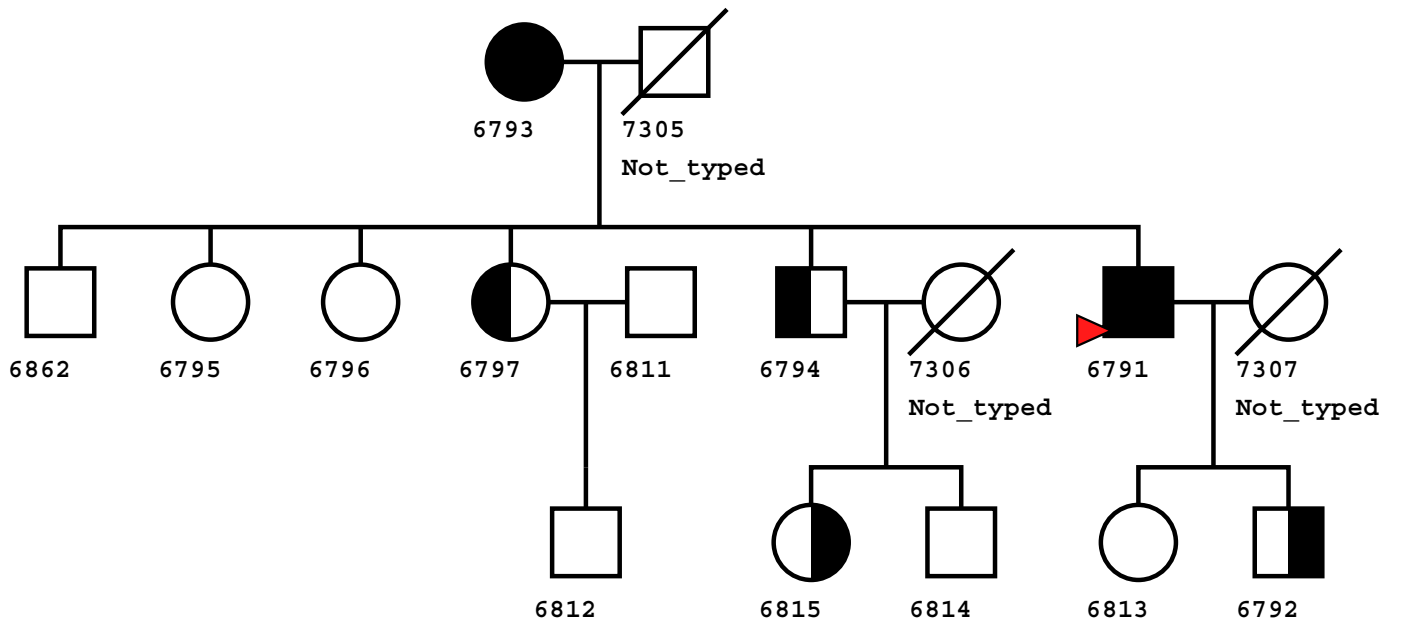
PAT  
TYPED



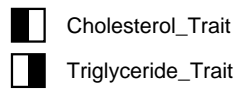
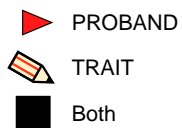
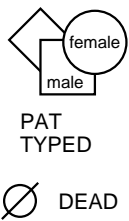
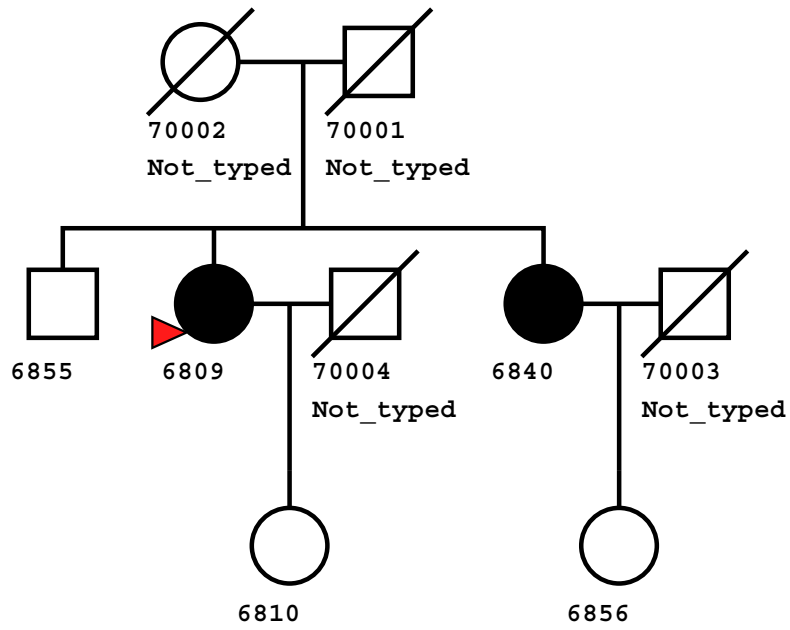
14 individuals



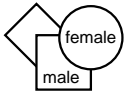
16 individuals



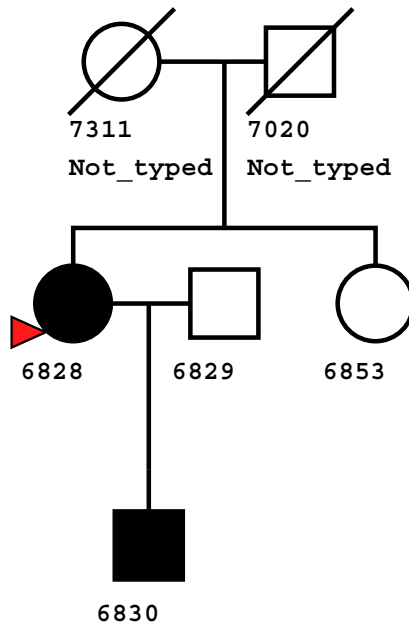
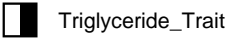


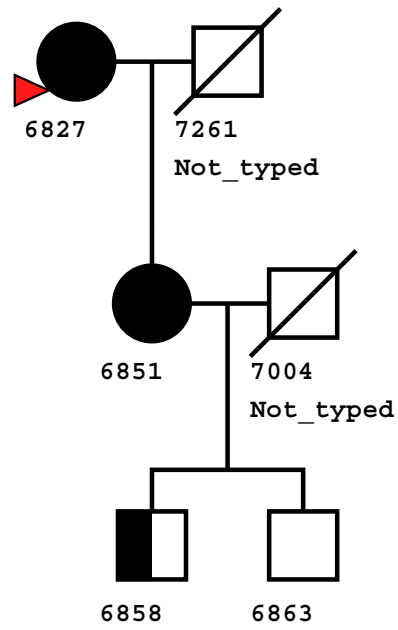
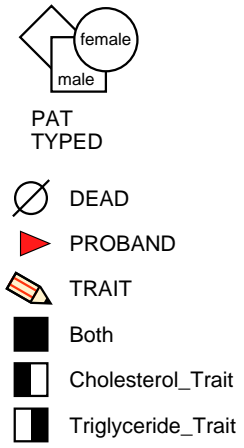


6 individuals

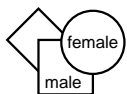
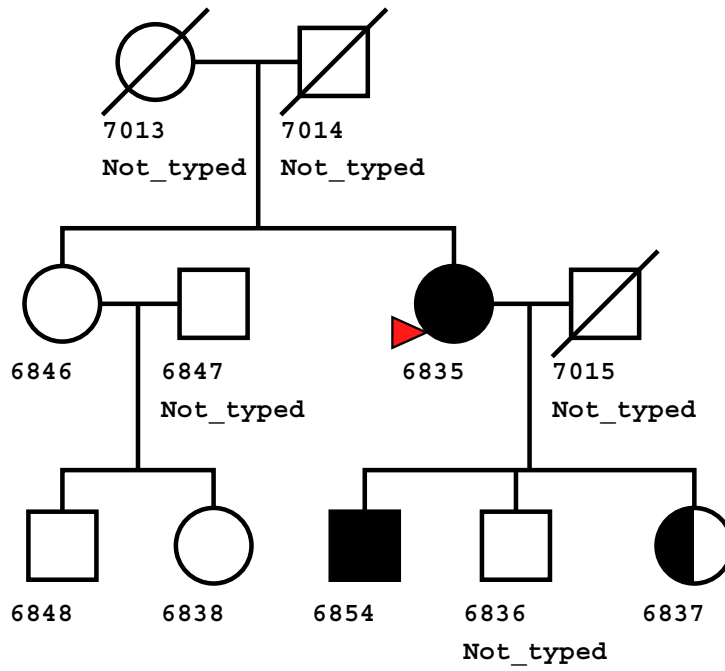


PAT  
TYPED





11 individuals



PAT  
TYPED

DEAD

PROBAND

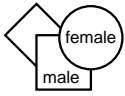
TRAIT

Both

Cholesterol\_Trait

Triglyceride\_Trait

6 individuals



PAT  
TYPED

DEAD

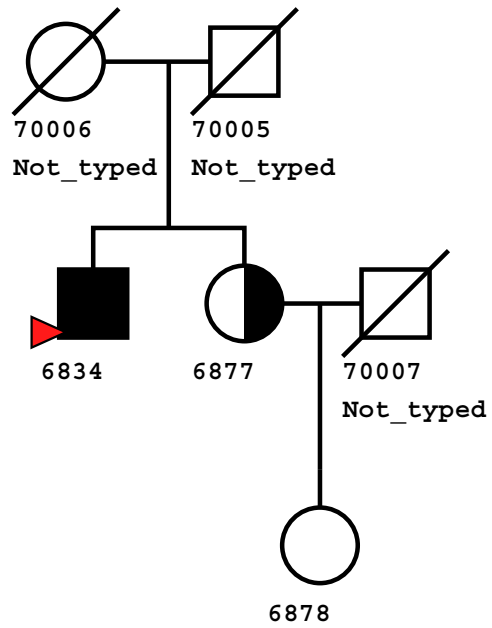
PROBAND

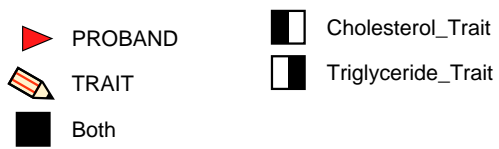
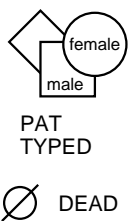
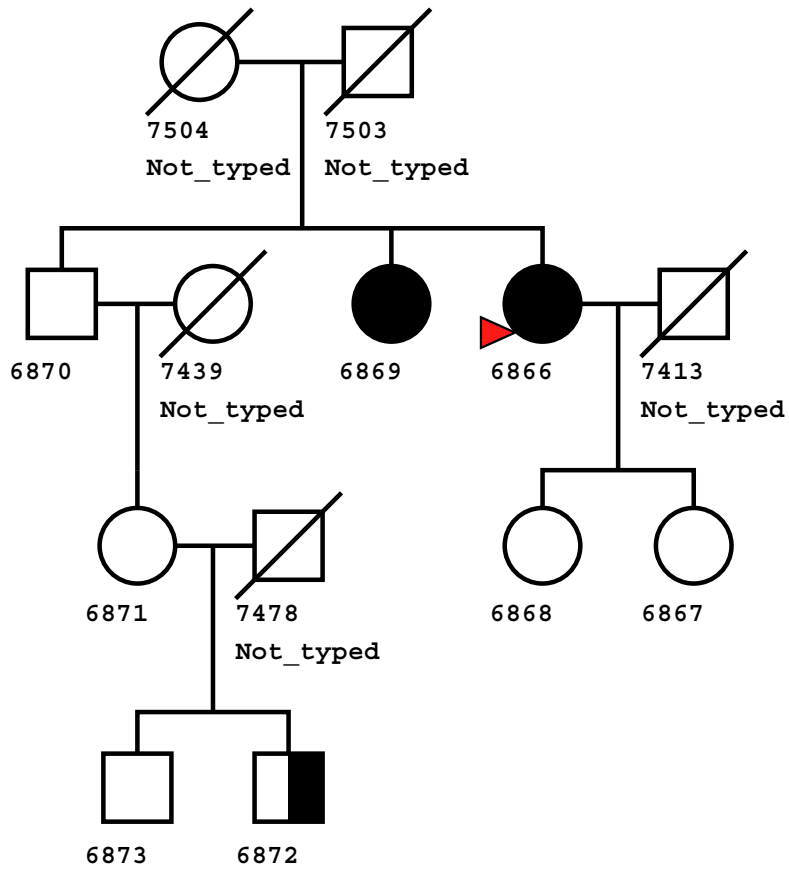
TRAIT

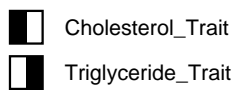
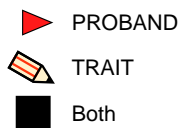
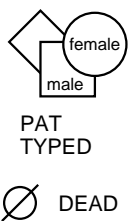
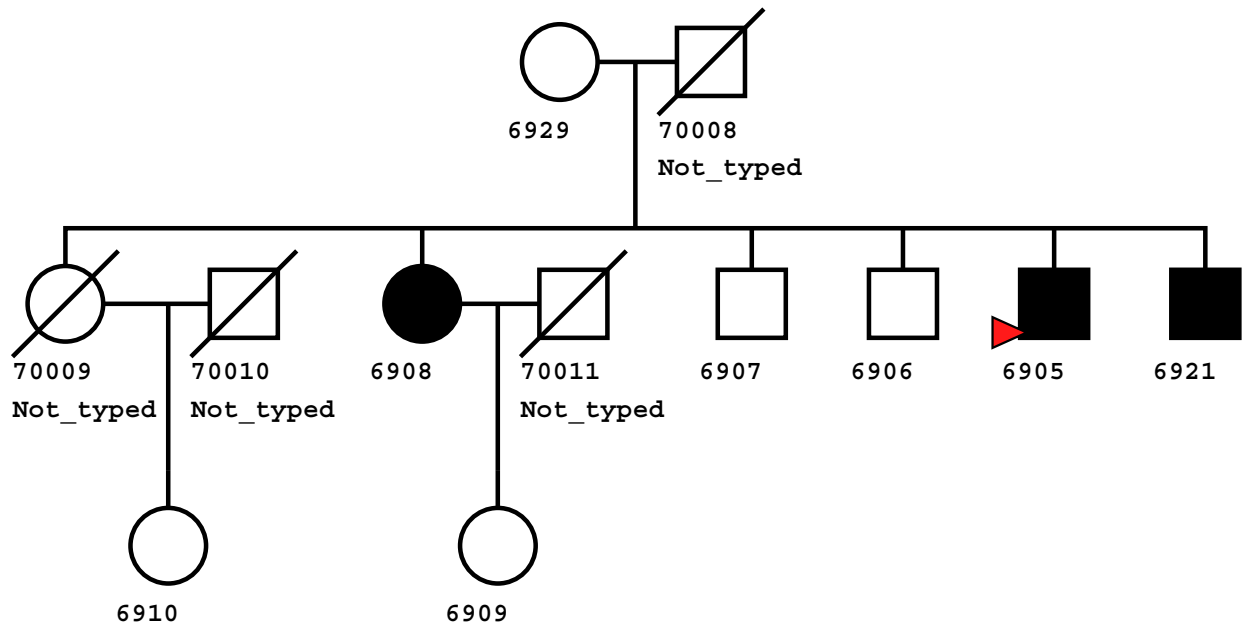
Both

Cholesterol\_Trait

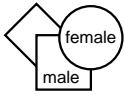
Triglyceride\_Trait







7 individuals



PAT  
TYPED

DEAD

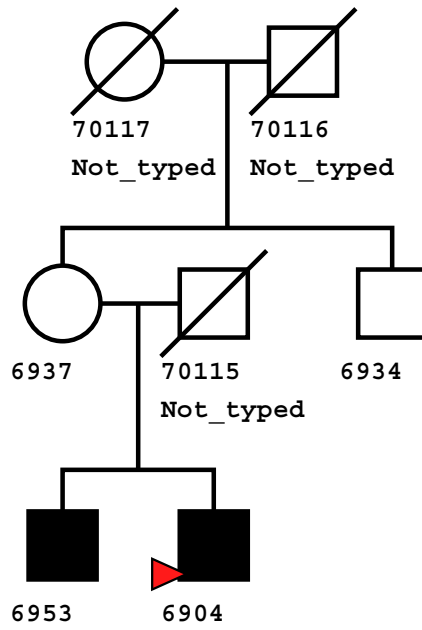
PROBAND

TRAIT

Both

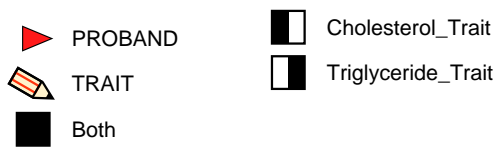
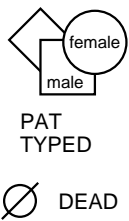
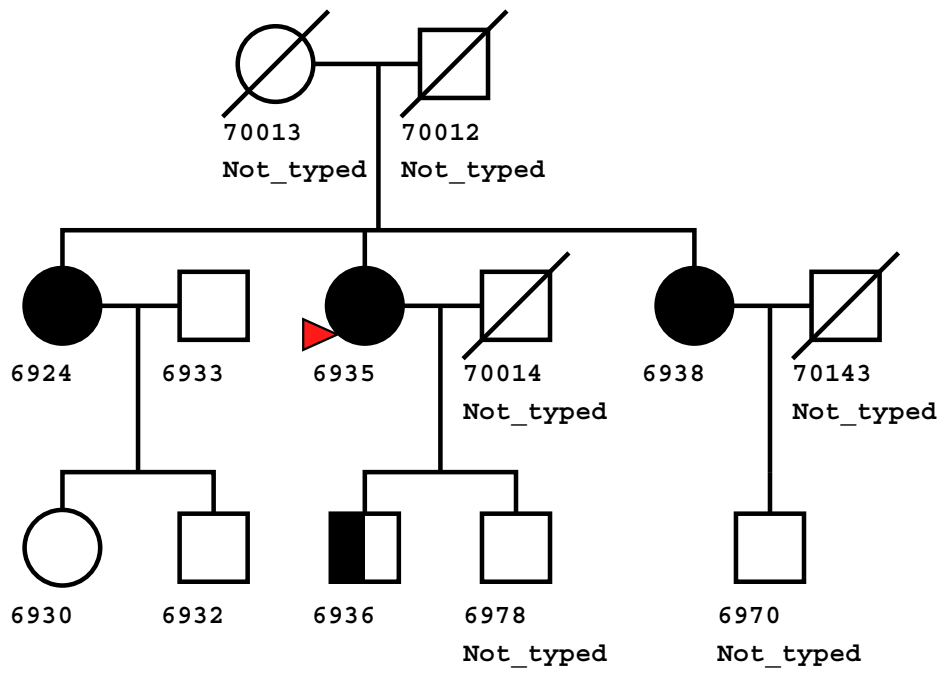
Cholesterol\_Trait

Triglyceride\_Trait

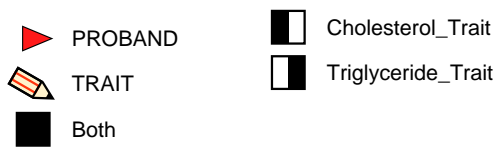
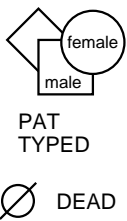
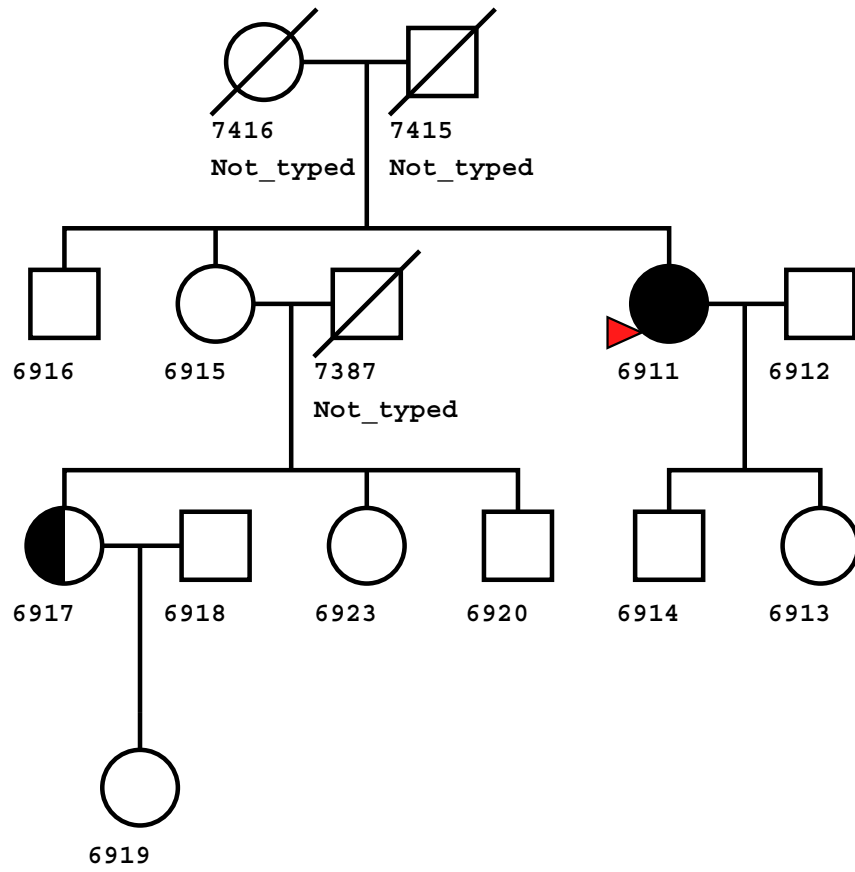




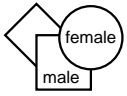
13 individuals



14 individuals



6 individuals



PAT  
TYPED

DEAD

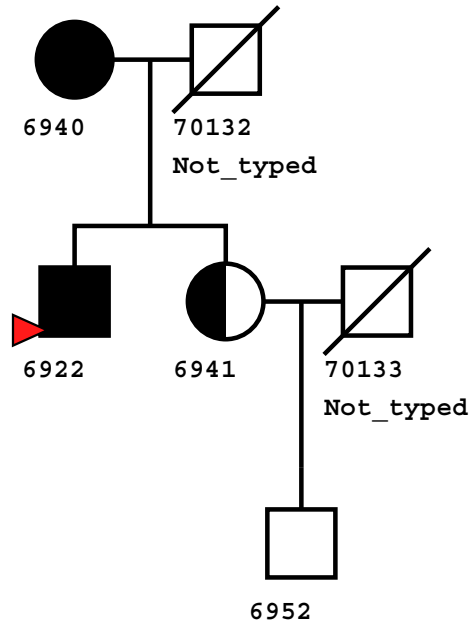
PROBAND

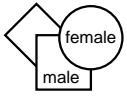
TRAIT

Both

Cholesterol\_Trait

Triglyceride\_Trait





PAT  
TYPED

DEAD

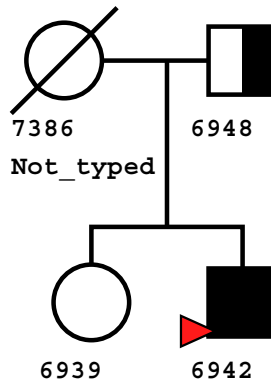
PROBAND

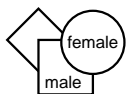
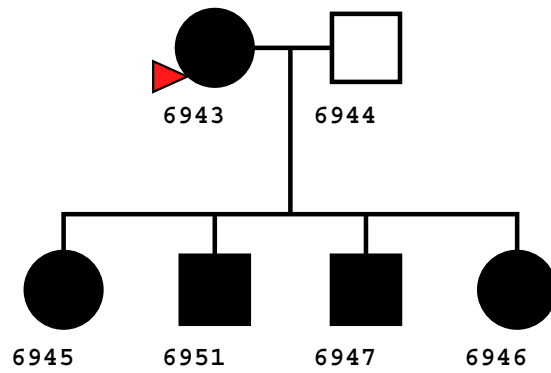
TRAIT

Both

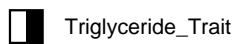
Cholesterol\_Trait

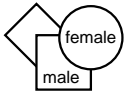
Triglyceride\_Trait





PAT  
TYPED





PAT  
TYPED



DEAD



PROBAND



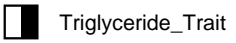
TRAIT



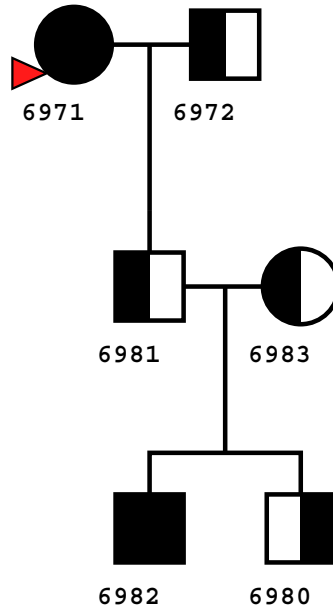
Both

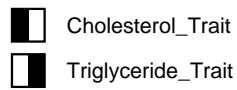
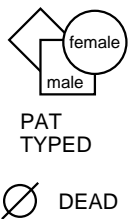
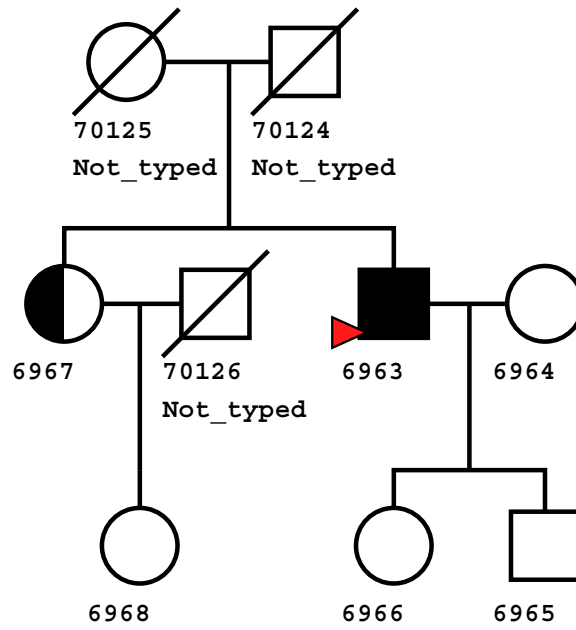


Cholesterol\_Trait



Triglyceride\_Trait





9 individuals

